



By Appointment
To His Royal Highness The Duke of Edinburgh
Suppliers of Vespa Scooters

Vespa

SUPER SPORT 180 c.c.

MODEL VSC.I

== SPARE PARTS
LIST ==

scooterhelp.com





By Appointment
To His Royal Highness The Duke of Edinburgh
Suppliers of Vespa Scooters

Vespa

SUPER SPORT 180 c.c.

MODEL VSC.1

== SPARE PARTS LIST ==

DOUGLAS (SALES & SERVICE) LTD., KINGSWOOD, BRISTOL
Telephone 67-1881

DIVISION OF WESTINGHOUSE BRAKE AND SIGNAL COMPANY LIMITED

scooterhelp.com

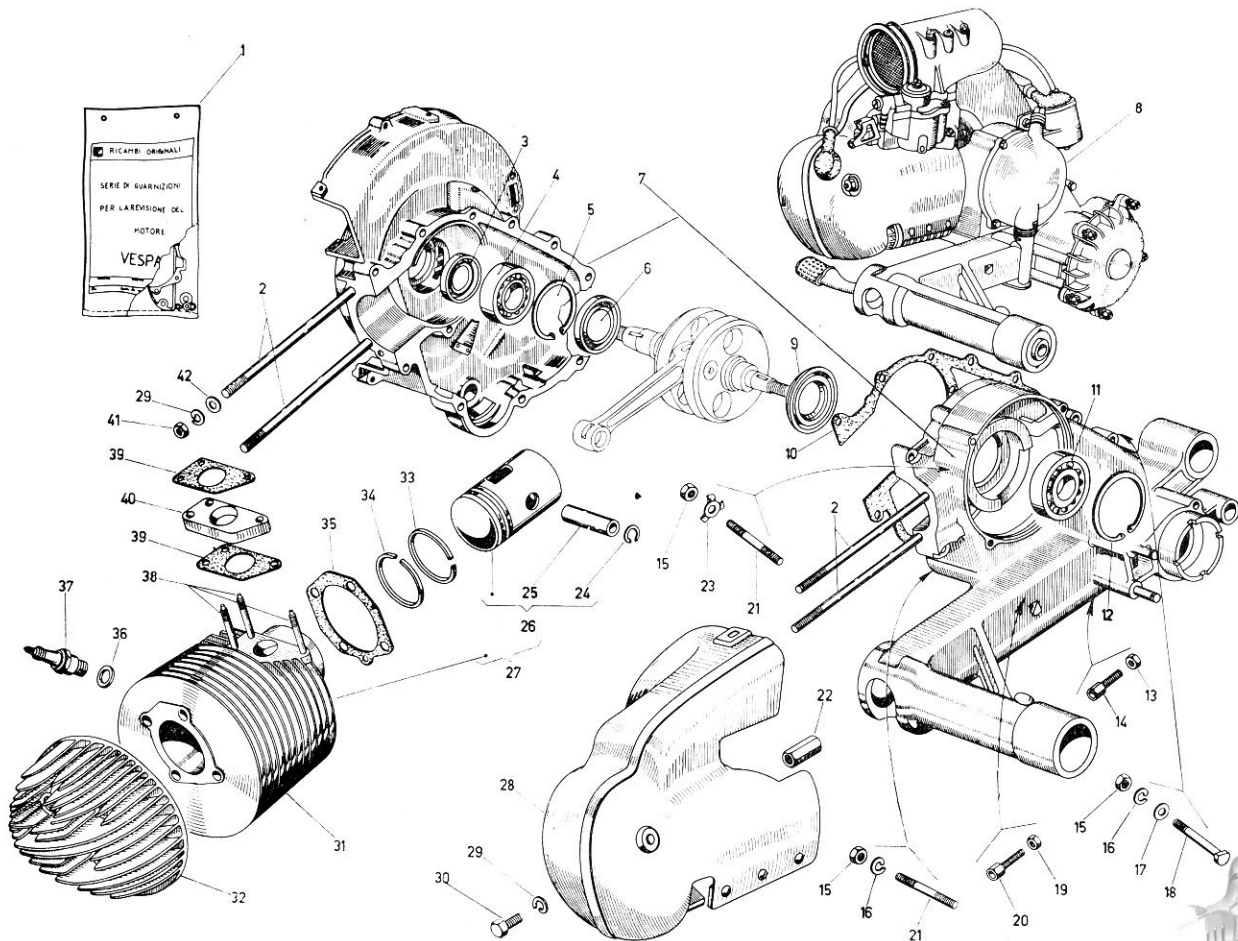


INDEX

Group	Table	Group	Table
Air Filter	6	Front Mudguard	13
Battery	18	Gears	4
Battery Carrier	10	Gear Shifter	7
Carburettor	6	Handlebar	15
Centre Stand	12	Headlamp	18
Channels—Footboard	12	Horn	18
Chassis	8	Kickstarter	3
Clutch	2	Mainshaft	4
Control Cables—Gear Change—Rear Brake— —Speedometer	16	Parcel Compartment	10
Control Cables—Throttle—Front Brake— Clutch—Choke	17	Petrol Tank	8
Crankcase	1	Rear Brake	4
Crankshaft	2	Rear Damper and Spring	11
Cush Drive	3	Rectifier	18
Cylinder	1	Security Lock	14
Dualseat	8	Silencer	12
Engine Wing	9	Spare Wheel	10
External H.T. Coil	7	Spare Wheel Cowling	9
Final Drive	4	Speedometer Head	15
Flywheel Magneto	5	Steering Column	13
Front Brake Cam	14	Steering Races	14
Front Damper	14	Tail Lamp	18
Front Hub	13	Toolkit	20
		Wiring Harness	19



CRANKCASE AND CYLINDER GROUP



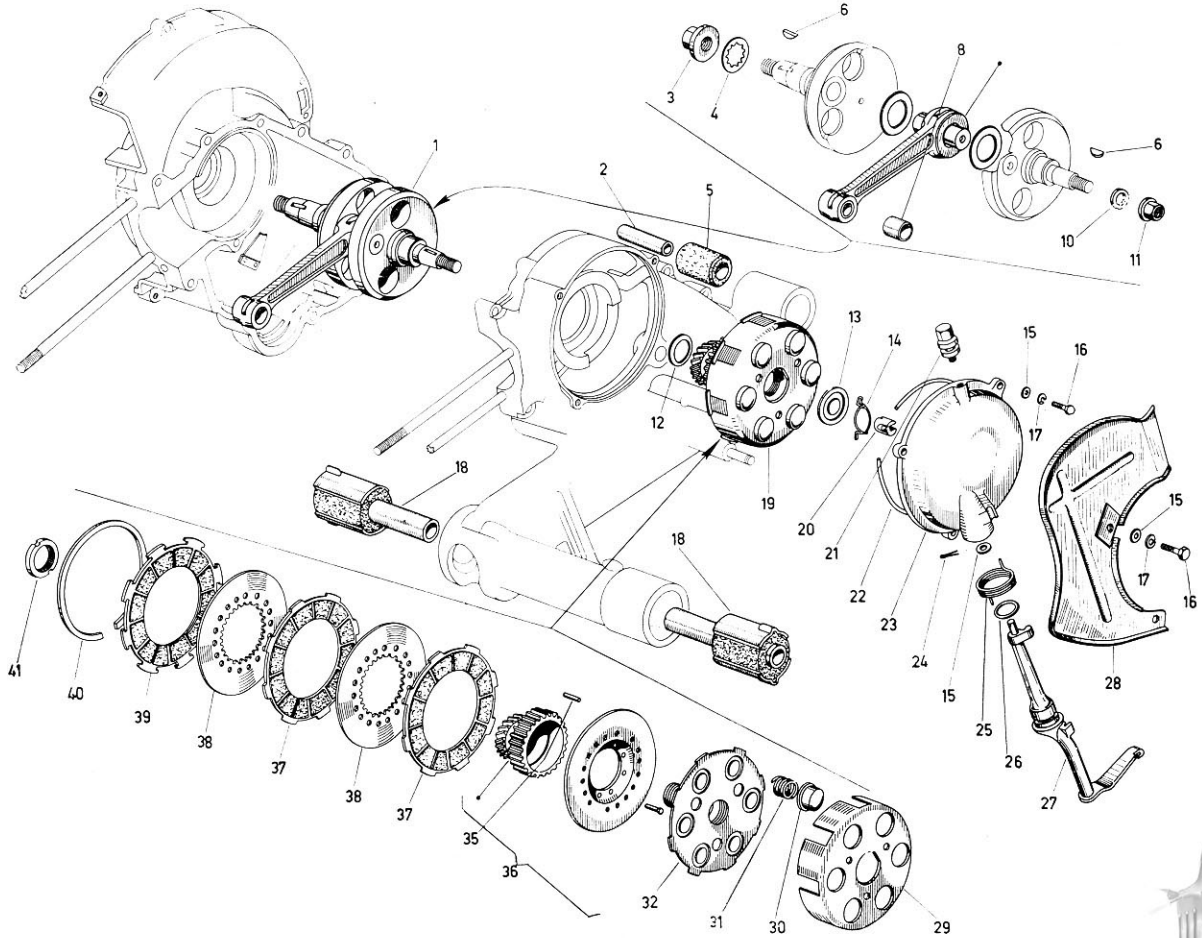
CRANKCASE AND CYLINDER GROUP

T.I

Fig. No.	Description	No. Off	Part No.	Fig. No.	Description	No. Off	Part No.
1	Gasket Set	1	W.257	26	Piston 1st O/S with G/Pin and Circlips	1	90171
2	Stud C/Case to Cylinder	4	S.553				
3	External Oil Seal—Flywheel Side	1	78002	26	Piston 2nd O/S with G/Pin and Circlips	1	90172
4	C/Shaft Bearing—Flywheel Side	1	58800				
5	Ring for Bearing	1	93804	26	Piston 3rd O/S with G/Pin and Circlips	1	90173
6	Internal Oil Seal—Flywheel Side	1	77976				
7	Crankcase complete	1	90349	26	Piston 4th O/S with G/Pin and Circlips	1	90174
8	Engine complete	1	90540				
9	Oil Seal—Clutch Side	1	77975	27	Cylinder and Piston Assembly	1	90646
10	Crankcase Joint	1	92472	28	Cylinder Cowl	1	77435
11	C/Shaft Bearing—Clutch Side	1	97804	29	Spring Washer	5	S.3108
12	Circlip	1	87804	30	Bolt securing Cylinder Cowl ...	1	S.14722
13	Nut for Adjuster	1	S.1107	31	Cylinder (not supplied separately)		
14	Rear Brake Cable Adjuster ...	1	23823	32	Cylinder Head	1	79929
15	Nut	12	S.1107	33/34	Piston Ring—Standard	2	110492
16	Spring Washer	8	S.3107	33/34	Piston Ring—1st O/S	2	90162
17	Flat Washer	7	S.3057	33/34	Piston Ring—2nd O/S	2	90163
18	Bolt	7	S.12485	33/34	Piston Ring—3rd O/S	2	90164
19	Nut for Adjuster	1	S.1105	33/34	Piston Ring—4th O/S	2	90165
20	Clutch Cable Adjuster	1	90527	35	Cylinder Base Joint	1	92721
21	Stud	5	S.4515	36	Plug Washer	1	318
22	Distance Nut	1	59969	37	Sparking Plug	1	18554
23	Lockwasher	4	S.1799	38	Stud securing Carburettor	3	S.8361
24	Piston Circlip	2	S.6616	39	Joint	2	77607
25	Gudgeon Pin	1	110974	40	Packing	1	91056
26	Piston Std. with G/Pin and Circlips	2	110695	41	Nut	4	S.1008
				42	Flat Washer	4	S.3058



CRANKSHAFT AND CLUTCH GROUP



CRANKSHAFT AND CLUTCH GROUP

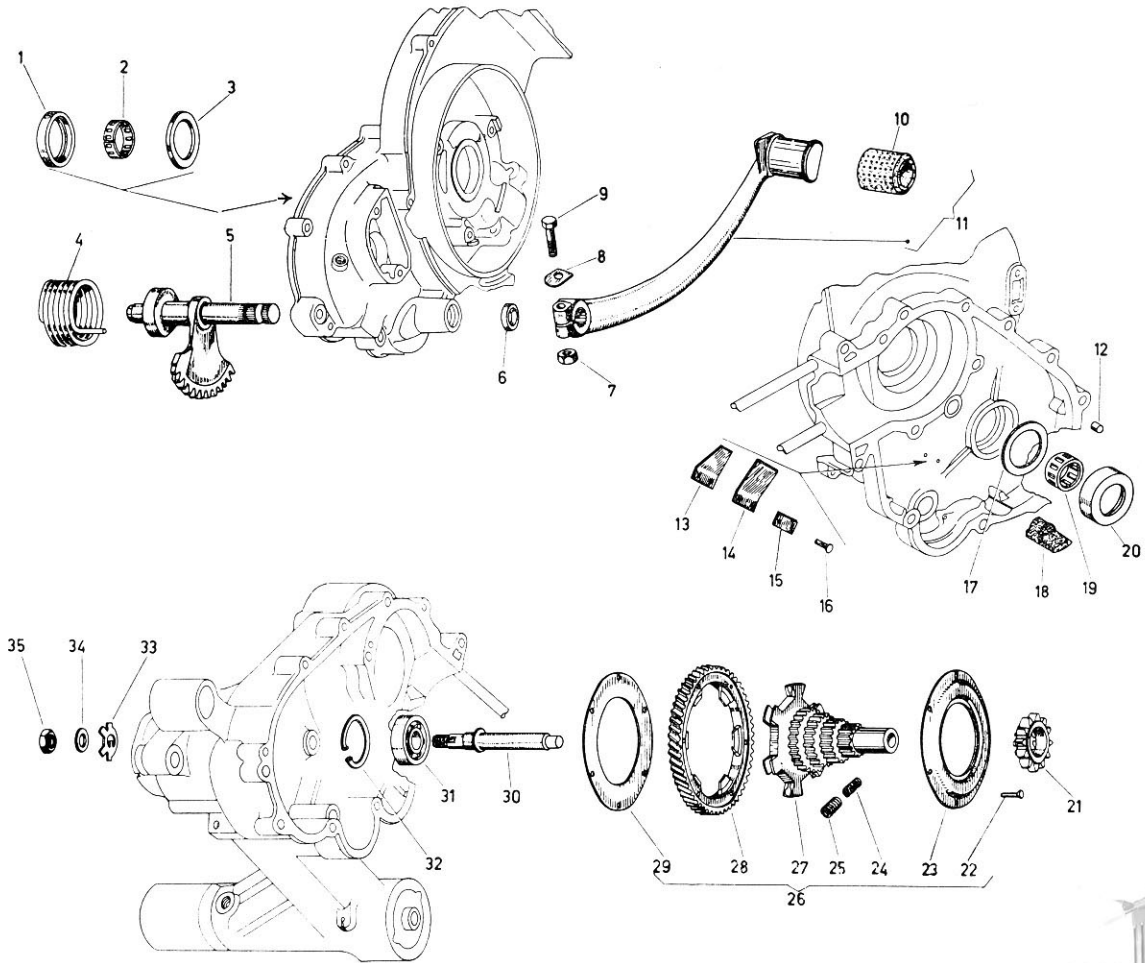
T.2

Fig. No.	Description	No. Off	Part No.	Fig. No.	Description	No. Off	Part No.
1	Crankshaft complete	1	111243	21	Breather	1	19301
2	Tube	1	93562	22	Sealing Ring—Clutch Cover ...	1	17781
3	Nut securing Flywheel	1	77379	23	Clutch Cover	1	59399
4	Washer for Flywheel Nut	1	93955	24	Split Pin	1	S.12761
5	Bush	1	57339	25	Return Spring	1	52281
6	Key—Clutch Side	1	267	26	Seal	1	S.6721
6	Key—Flywheel Side	1	S.103	27	Clutch Operating Lever	1	90154
8	Small End Bearing	1	111104	—	Half Ring for Lever 90154 ...	3	110660
10	Spring Washer	1	S.3110	28	Shield	1	93740
11	Nut securing Clutch	1	S.1497	29	Clutch Housing	1	111110
12	Thrust Washer	1	59133	30	Clutch Cup	6	111112
13	Clutch Centralizing Plate	1	25026	30	Clutch Spring	6	110633
14	Circlip	1	14457	32	Clutch Body	1	111111
15	Flat Washer	3	S.3056	35	Clutch Rollers	40	18973
15	Clutch Lever Flat Washer	1	S.13955	36	S.A. of Clutch Gear and Plate ...	1	150081
16	Screw securing Clutch Cover ...	3	S.14413	37	Inner Clutch Plate—Corked ...	2	59388
17	Spring Washer	3	S.3106	38	Convex Plate	2	93745
18	Bush R.H.	1	59746	29	Outer Clutch Plate—Corked ...	1	50721
18	Bush L.H.	1	93907	40	Circlip	1	38477
19	Clutch complete	1	111109	41	Ring	1	25654
20	Clutch Plunger	1	89858				



T.3
VSC 1

CUSH DRIVE AND KICKSTARTER GROUP

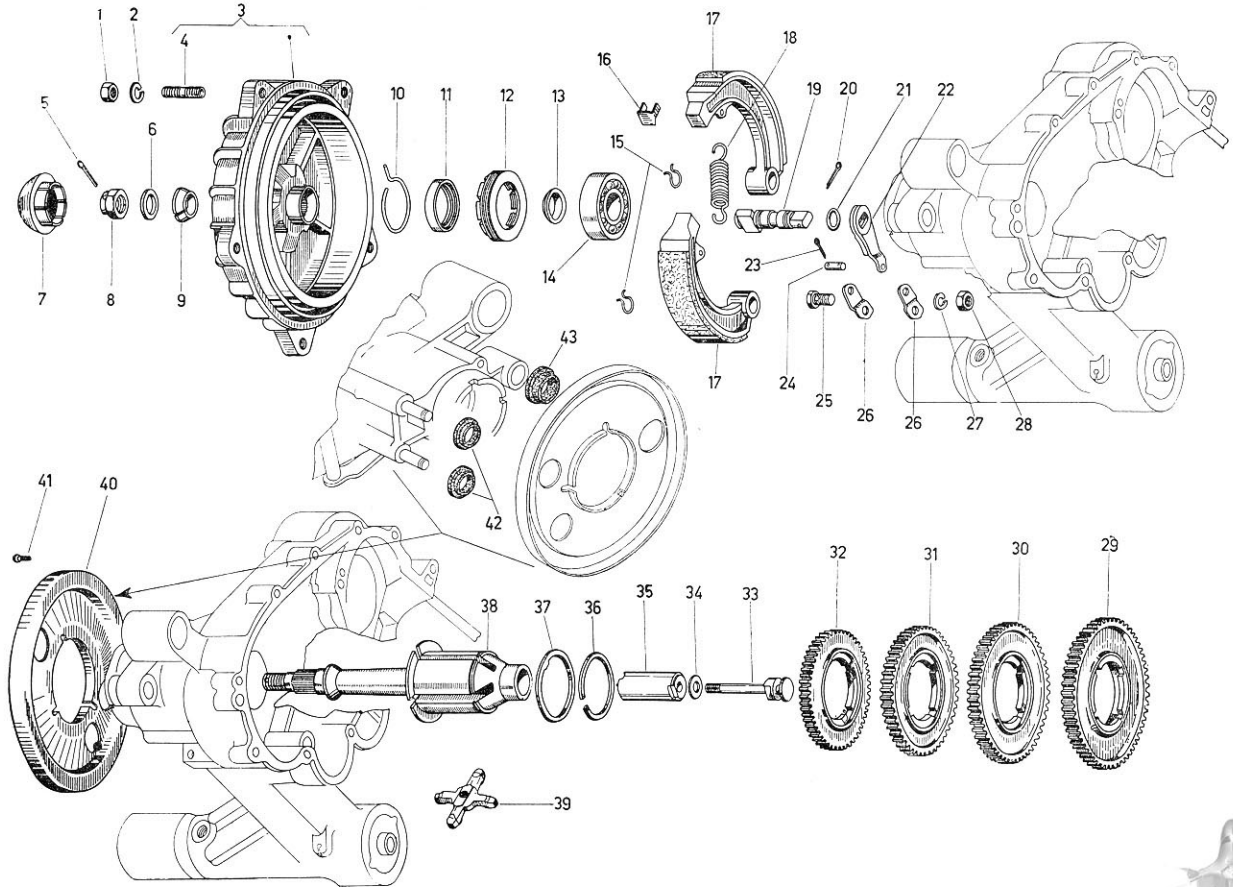


PART NAME DENOMINACION	Valid for Válido para	Spare parts Piezas de repuesto	No. off Cantidad	Fig. N.	PART NAME DENOMINACION	Valid for Válido para	Spare parts Piezas de repuesto	No. off Cantidad	NOTES NOTAS	
Ball bearing roller for wheel axle Rodillo para coj. eje rueda	VSB 1 - VSC 1	52759	14	21	Starter gear Engranaje de arran- que	VSB 1 - VSC 1	89229	1	c) See «Technical instructions» No. 5. e) Ver «Instr. técnica N. 5. d) On vehicles prior to VSB 1 - 0042172 the 6 springs 78853 can be mounted instead of those pre-existing 77373. d) En las motos anteriores a la VSB 1 - 0042172 el grupo de los 6 muelles 78853 puede montarse en lugar de los 6 muelles preexistentes 77373. e) Parts/Piezas: Fig. 23 - 24 - 25 - 27 - 28 - 29.	
Leaf spring Muelle		48000	1	22	Rivet Remache		S. 5765	6		
Leaf spring Muelle		54071	1	23	Inner spring retainer Anillo int.		77371	1		
Packing piece Chapa		48002	1	24	Internal spring Muelle pequeño		77372	6		
Rivet Remache		S. 10790	2	25	Outer spring Muelle grande		VSB 1: 001001 ÷ 0042171	77373		6
Washer Arandela		52757	1	25	Outer spring Muelle grande		VSB 1: 0042172 ÷ 0061700 VSC 1	78853 d)		6
Buffer Taco amortiguador		46742	2	26	Spring gear Engranaje elástico		93412 e)	1		
Roller cage Jaula de rodillos		52756 c)	1	27	Gear cluster Engranaje múltiple		VSB 1 - VSC 1	93414		1
Bearing track Casquillo cojinete		52761	1	28	Outer gear rim Corona engr. helic.		77351	1		



T.4
VSC 1

MAINSHAFT, GEARS, REAR BRAKE AND FINAL DRIVE GROUP



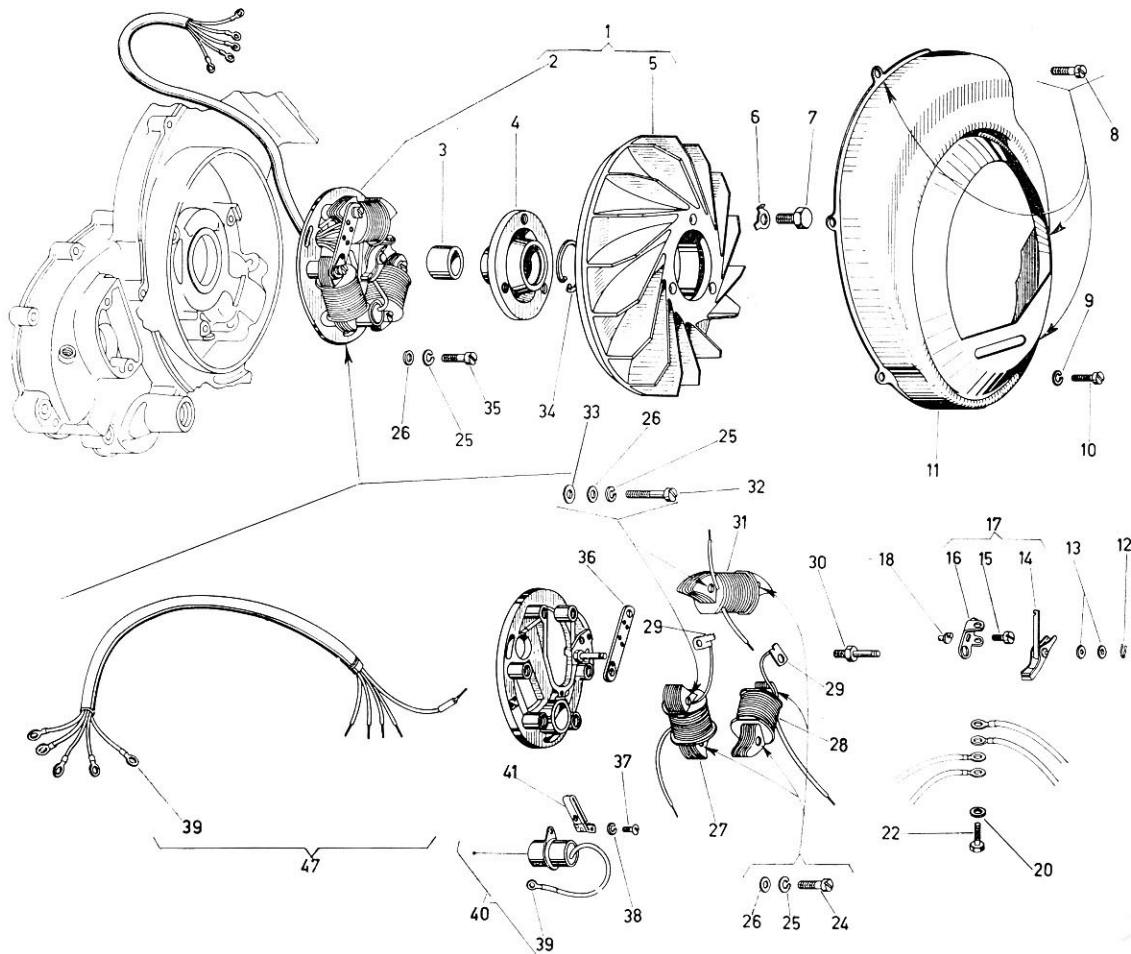
MAINSHAFT, GEARS, REAR BRAKE AND FINAL DRIVE GROUP

T.4

Fig. No.	Description	No. Off	Part No.	Fig. No.	Description	No. Off	Part No.
1	Nut	5	S.1008	26	Link R.H.	1	42047
2	Spring Washer	5	S.3108	26	Link L.H.	1	94779
3	Rear Brake Drum	1	56168	27	Spring Washer	1	S.6939
4	Stud	5	85914	28	Nut	1	S.1426
5	Split Pin	1	S.12787	29	1st Gear	1	111099
6	Washer	1	S.13879	30	2nd Gear	1	111098
7	Hub Cap	1	56783	31	3rd Gear	1	111097
8	Nut securing Mainshaft	1	S.2314	32	4th Gear	1	111096
9	Cone—External	1	32654	33	Selector Rod	1	52764
10	Circlip	1	52762	34	Tab Washer	1	S.13768
11	Oil Seal	1	94119	35	Bush	1	52768
12	Lock Ring	1	52763	36	Circlip	1	18447
13	Cone—Internal	1	52754	37	Thrust Washer	1	18558
14	Bearing	1	S.7080	37	Thrust Washer 1st O/S	1	20321
15	Circlip	2	61	37	Thrust Washer 2nd O/S	1	20322
16	Heel Plate	2	24410	37	Thrust Washer 3rd O/S	1	20323
17	Rear Brake Shoe	2	72339	37	Thrust Washer 4th O/S	1	20324
18	Brake Shoe Return Spring	1	89993	38	Mainshaft	1	90983
19	Brake Cam	1	150052	39	Cruciform	1	94944
20	Split Pin	1	S.3208	40	Disc	1	111241
21	Seal—Brake Cam	2	S.6714	41	Self Tapping Screw	3	12869
22	Lever	1	100101	42	Joint	2	93990
23	Split Pin	2	S.12761	43	Joint	1	93977
24	Pivot	1	42048	—	Brake Cam Return Spring	1	78521
25	Bolt	1	85673	—	Packing for Disc 111241	1	78163



FLYWHEEL MAGNETO GROUP



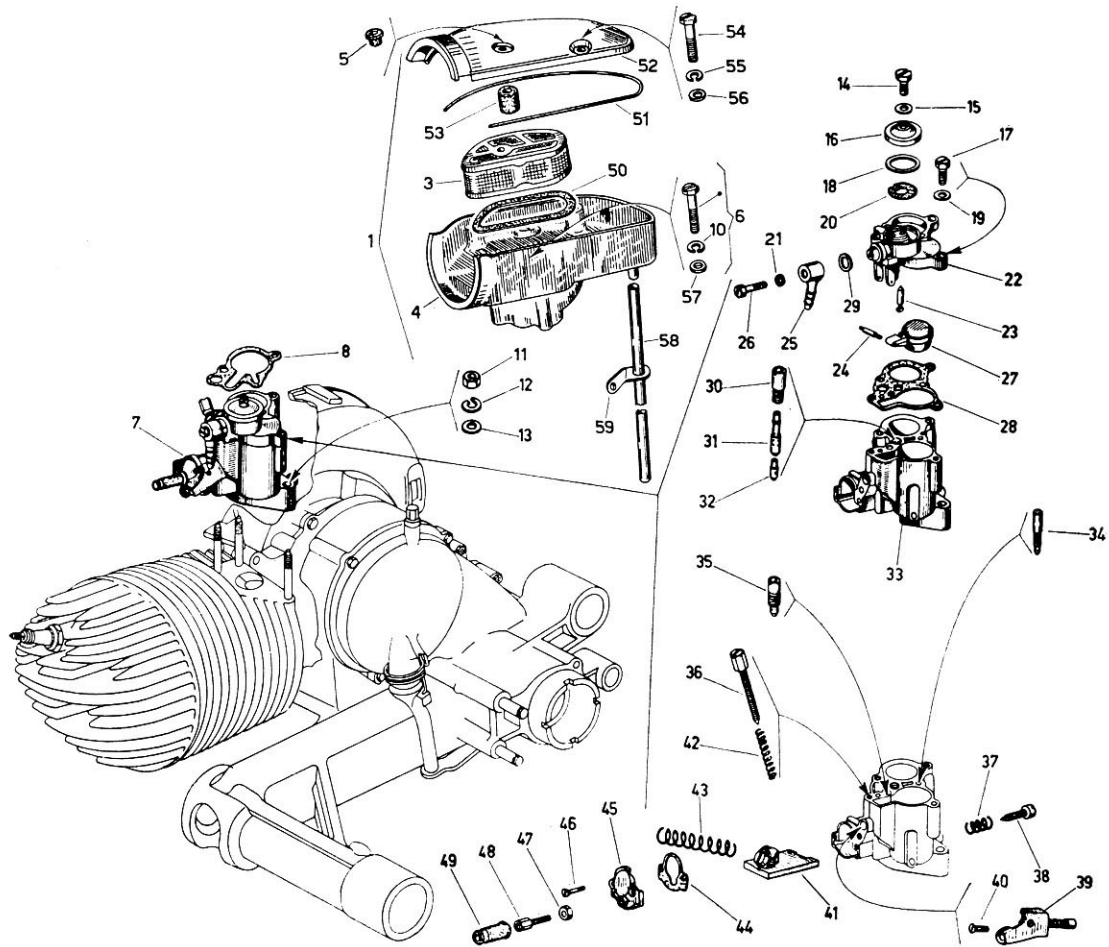
FLYWHEEL MAGNETO GROUP

T.5

Fig. No.	Description	No. Off	Part No.	Fig. No.	Description	No. Off	Part No.
1	Flywheel Magneto complete ...	1	111244	24	Screw Fixing Coils	4	603
2	Stator Assembly	1	73621	25	Spring Washer	8	S.3105
3	Cam	1	111085	25	Spring Washer	1	S.12528
—	Cam Securing Ring	1	111236	26	Flat Washer	9	S.3055
4	Flywheel Centre	1	111237	27	Alt. Coil No. 2	1	90444
5	Flywheel—Fan	1	111242	28	Alt. Coil No. 1	1	90443
6	Lockwasher	3	S.1816	29	Tag	3	662
7	Screw	3	S.8363	30	Pivot	1	92525
8	Screw	4	2946	31	H.T. Coil	1	93308
9	Spring Washer	1	S.3106	32	Screw	1	S.14436
10	Screw securing Fan Cover	2	2856	33	Washer	2	S.3057
11	Fan Cover	1	73917	34	Circlip	1	S.6634
12	Clip	1	14080	35	Screw securing Stator	2	292
13	Shim	2-5	622	36	Board Terminal	1	55392
14	Contact Lever	1	111301	37	Screw securing Condenser	1	S.10079
15	Screw securing Bracket	1	S.12332	38	Spring Washer	1	S.3103
16	Contact Bracket	1	16418	39	Tag	6	14501
17	Contact Breaker Set	1	111300	40	Condenser	1	92817
18	Eccentric Screw	1	16420	41	Lubricating Pad	1	72836
20	Washer	1	S.12554	47	Group Cable	1	73624
22	Screw	1	S.10051				



CARBURETTOR AND AIR FILTER GROUP



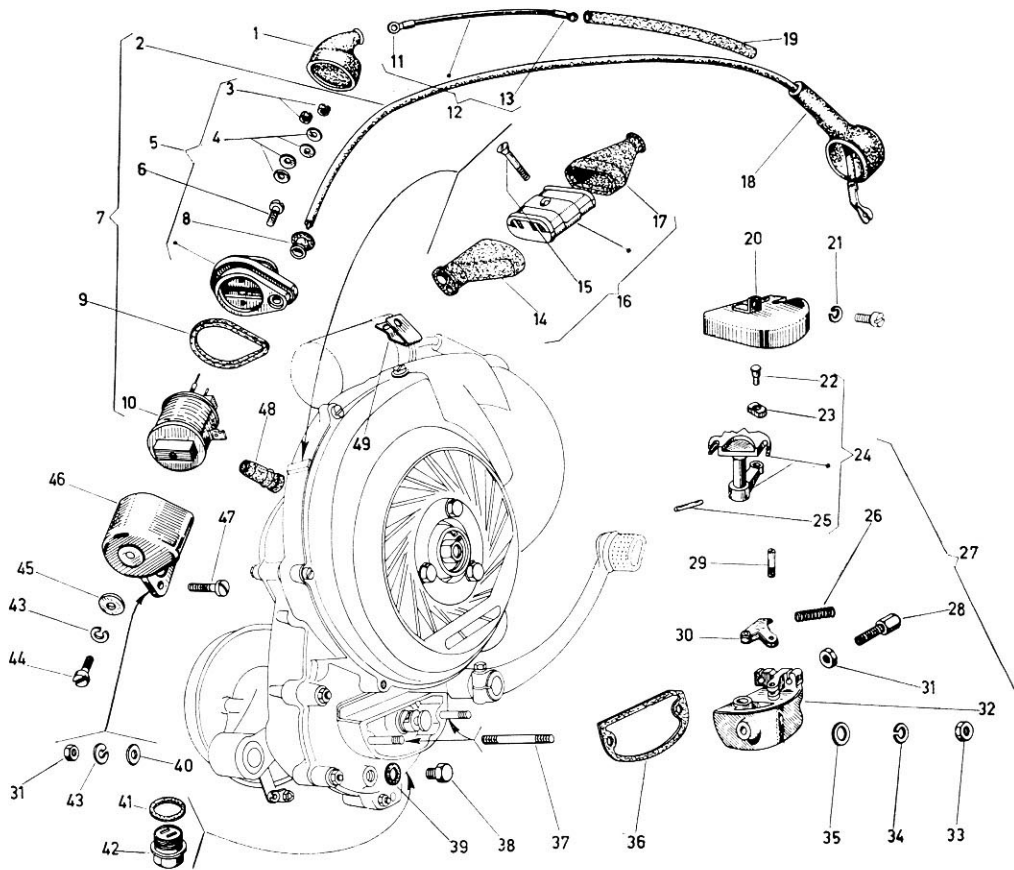
CARBURETTOR AND AIR FILTER GROUP

T.6

Fig. No.	Description	No. Off	Part No.	Fig. No.	Description	No. Off	Part No.
1	Air Filter complete	1	111209	31	Emulsion Tube	1	97438
3	Filter	1	111208	32	Main Jet	1	150521
4	Filter Body	1	99047	33	Carburettor Body	1	97439
5	Plug	1	77667	34	Pilot Jet	1	93665
6	Screw	2	79064	35	Jet Starter	1	92712
7	Carburettor complete	1	150522	36	Screw	1	93667
8	Joint	1	77599	37	Spring	1	85285
9	Flat Washer	2	S.3056	38	Screw	1	85298
10	Spring Washer	2	S.3106	39	Starter Device	1	93670
11	Nut	3	S.1107	40	Screw fixing Starter Device	1	2604
12	Spring Washer	3	S.3107	41	Throttle Valve	1	111292
13	Flat Washer	3	S.3057	42	Spring	1	94221
14	Screw	1	82934	43	Valve Spring	1	93994
15	Seal	1	82920	44	Joint	1	93669
16	Cap for Filter	1	82933	45	Valve Cover	1	93662
17	Screw	2	92395	46	Screw	1	85418
18	Gasket	1	82932	47	Locknut for Adjuster	1	2613
19	Washer	2	92410	48	Throttle Cable Adjuster	1	2612
20	Petrol Filter	1	82931	49	Adjuster Cap	1	93659
21	Washer	1	85288	50	Packing—Filter to Body	1	79054
22	Float Chamber Cover	1	93661	51	Packing—Body to Cover	1	78929
23	Float Needle	1	150045	52	Air Filter Cover	1	78856
24	Pin	1	85291	53	Buffer	1	79053
25	Banjo Union	1	93673	54	Screw	3	S.8492
26	Screw	1	85294	55	Washer	3	S.3105
27	Float	1	85293	56	Washer	3	S.3055
28	Joint	1	93668	57	Washer	2	S.6129
29	Washer	1	85296	58	Discharge Tube	1	87398
30	Air Bleed	1	97437	59	Anchorage Plate for Tube	1	24576



EXTERNAL H.T. COIL AND GEAR SHIFTER GROUP



EXTERNAL H.T. COIL AND GEAR SHIFTER GROUP

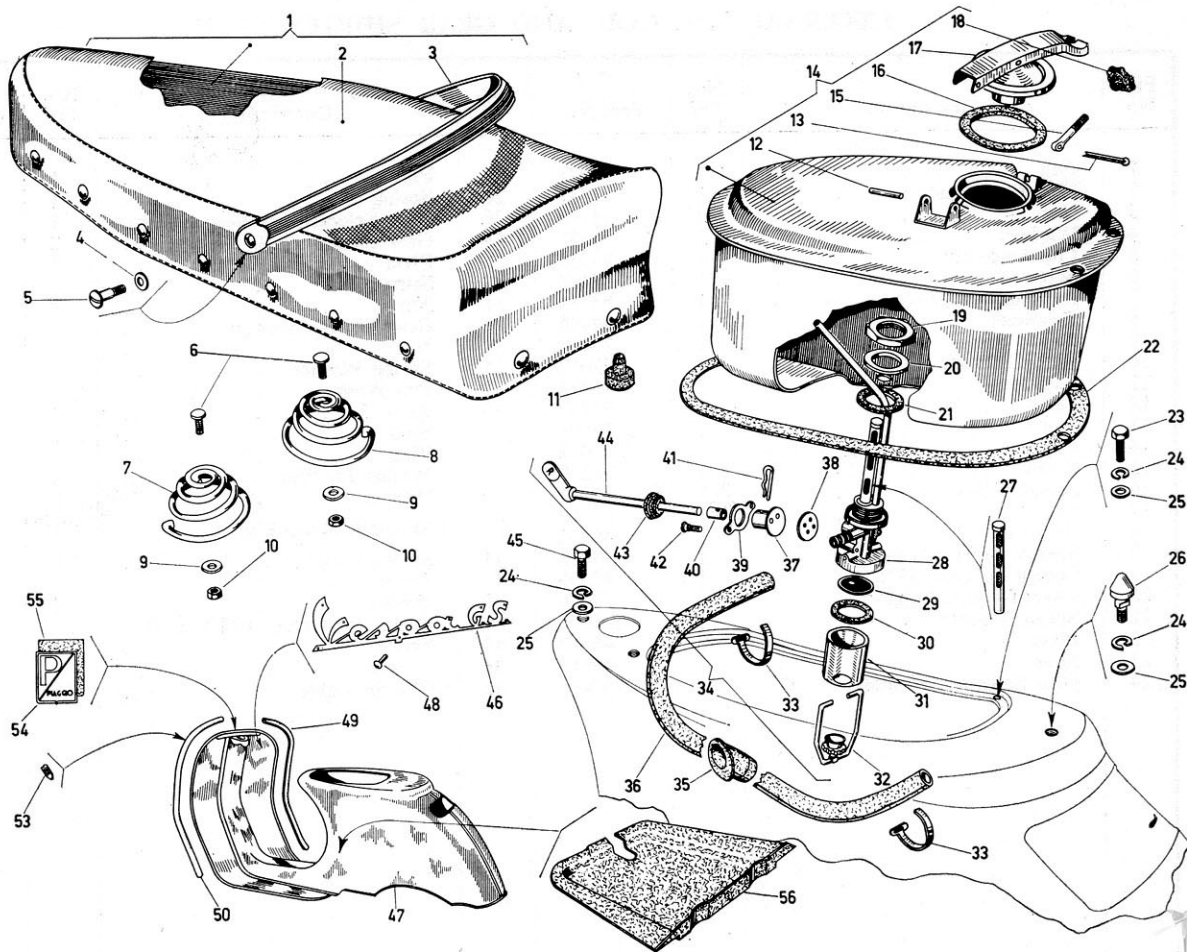
T.7

Fig. No.	Description	No. Off	Part No.	Fig. No.	Description	No. Off	Part No.
1	Cap	1	57073	25	Pin	1	S.13010
2	H.T. Plug Lead	1	56837	26	Spring	1	59410
3	Nut	2	54180	27	Gear Selector and Support com.	1	59523
4	Washer	2	20058	28	Gear Change Cable Adjuster ...	2	90527
5	Cap Assembly	1	93733	29	Pivot	1	59407
6	Screw	1	S.12490	30	Stirrup	1	59408
7	External H.T. Coil	1	93734	31	Nut	4	S.1105
8	Grommet	1	24446	32	Gear Change Support	1	92166
9	Joint	1	23074	33	Nut	2	S.1107
10	H.T. Coil only	1	22052	34	Spring Washer	2	S.3107
11	Tag	2	15473	35	Flat Washer	2	S.3057
12	Lead	1	73767	36	Joint	1	47162
13	Tag	2	14501	37	Stud	2	S.4512
14	Cap	1	57072	38	Plug	1	2990
15	Screw	1	S.8230	39	Washer for Plug	1	397
16	Junction Box	1	56985	40	Washer	2	97733
17	Cap	1	56169	41	} Magnetic Drain Plug	1	93846
18	Plug Cap	1	46741	42			
19	Sheath for H.T. Lead	1	87402	43	Spring Washer	3	S.3105
19	Sheath for Lead 73767	1	87399	44	Screw	1	S.12490
20	Cover for G/C Support	1	59466	45	Washer	1	4021
21	Spring Washer	1	S.3106	46	Casing for External H.T. Coil	1	47153
22	Pivot	1	46612	47	Screw	2	S.12494
23	Shoe	1	46613	48	Sheath	1	56988
24	Gear Selector Assembly	1	2/59463	49	Clip for Cables	1	97570



T.8
VSC 1

DUALSEAT, PETROL TANK AND CHASSIS GROUP



DUALSEAT, PETROL TANK AND CHASSIS GROUP

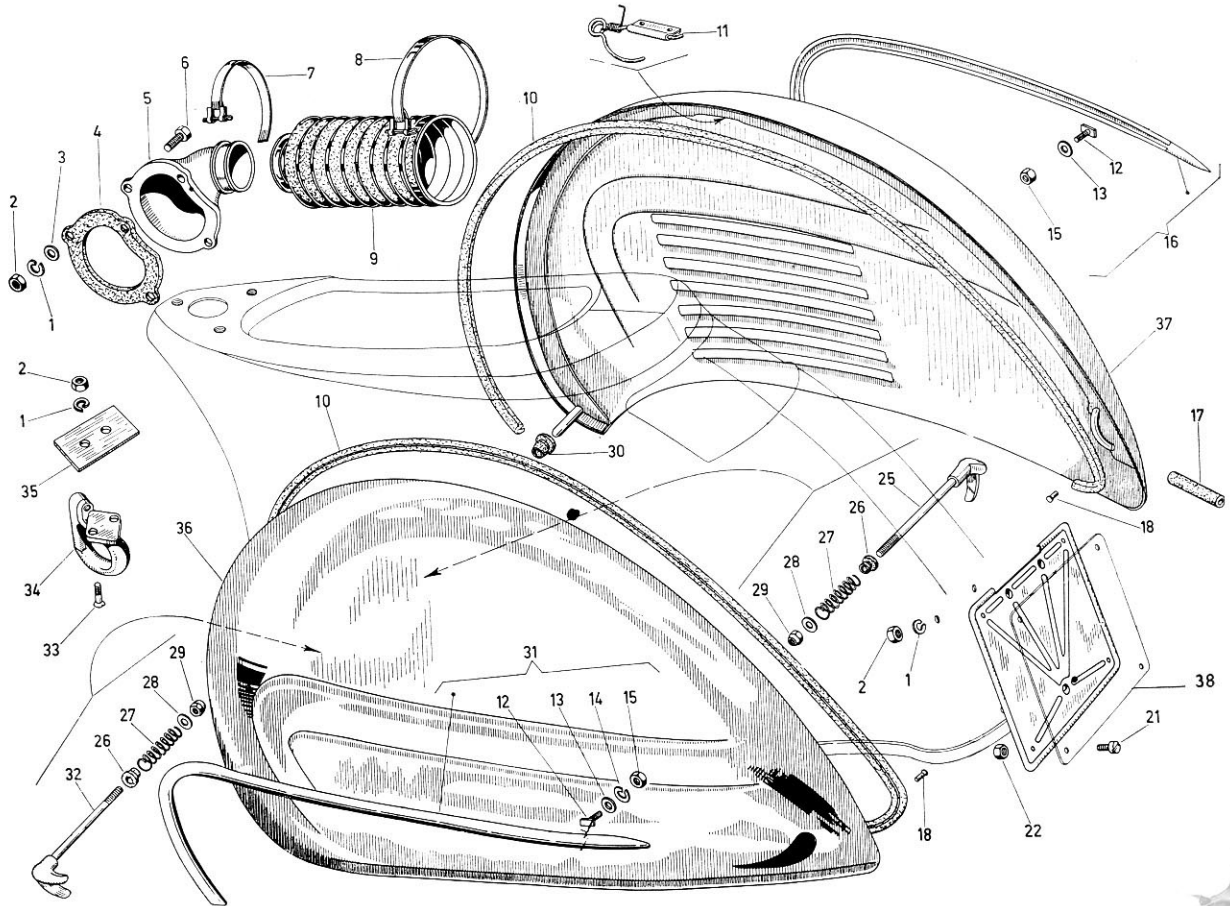
T.8

Fig. No.	Description	No. Off	Part No.	Fig. No.	Description	No. Off	Part No.
1	Dualseat complete	1	90572	30	Joint for Sediment Bowl	1	26042
2	Dualseat Cover	1	90584	31	Sediment Bowl	1	9640
3	Strap	1	94029	32	Fastener	1	9641
4	Washer	2	89242	33	Clip	2	3221
5	Screw Fixing Strap	2	94030	34	Petrol Tap complete	1	92652
6	Screw Fixing Springs	4	S.14417	35	Grommet	1	84262
6	Spring L.H.	1	90732	36	Petrol Pipe	1	93510
8	Spring R.H.	1	90731	37	Valve	1	46168
9	Flat Washer	4	S.13880	38	Rubber	1	13836
10	Nut	4	S.1006	39	Flange	1	13835
—	Clip securing Dualseat Cover	18	94720	40	Tube	1	83139
11	Buffer	2	56730	41	Spring Clip	1	15467
12	Hinge Pin	1	S.10860	42	Screw Fixing Flange	2	S.10011
13	Split Pin	1	S.3212	43	Grommet	1	47460
14	Petrol Tank with Filler Cap	1	56677	44	Lever	1	84224
15	Eye Bolt	1	4435	45	Bolt	3	S.12488
16	Washer for Filler Cap	1	2319	46	Nameplate—"Vespa S.S."	1	90496
17	Filler Cap	1	56678	47	Chassis	1	150421
18	Knob	1	92217	49	Shield Protector R.H.	1	71966
19	Nut	1	9433	50	Shield Protector L.H.	1	71967
20	Washer	1	S.6067	53	Grub Screw for Shield Protectors	10	28302
21	Washer	1	S.6068	53	Badge	1	80349
22	Tank Packing	1	94147	55	Adhesive	1	86539
23	Bolt	2	S.12488	56	Air Flow Stop Plate	1	2/87019
24	Spring Washer	6	S.3107	—	Central Dualseat Bracket	1	98834
25	Flat Washer	6	S.3057	—	Dualseat Front Hinge	1	39136
26	Pillar	1	56729	—	Dualseat Hinge Pin	1	39135
27	Filter	1	82994	—	Rear Nameplate "Super Sport"	1	100042
28	Tap Body	1	92651	—	Spring Plate Fixing Rear Nameplate	3	S.8108
29	Filter	1	26041				

scooterhelp.com



ENGINE WING, SPARE WHEEL COWLING GROUP



ENGINE WING, SPARE WHEEL COWLING GROUP

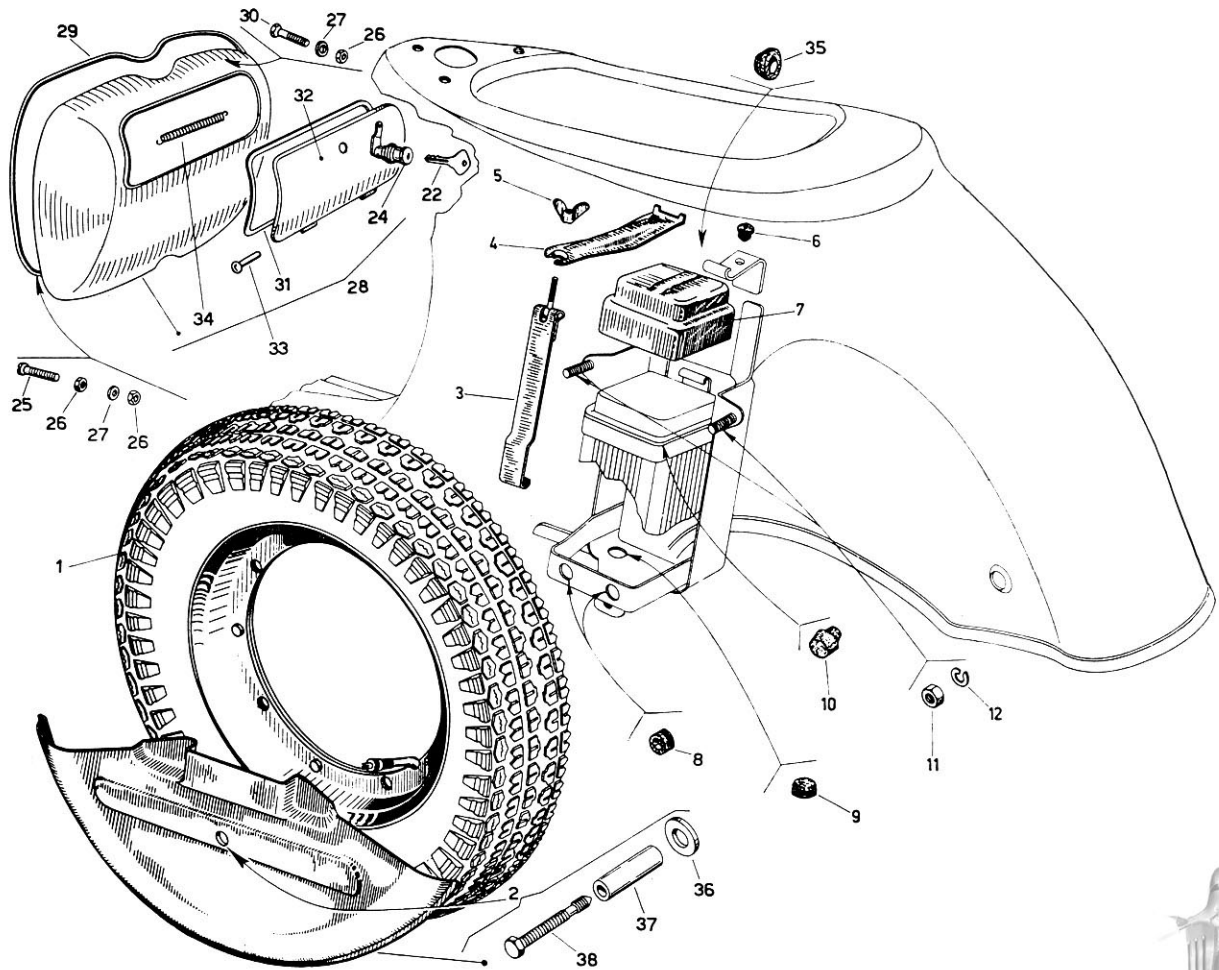
T.9

Fig. No.	Description	No. Off	Part No.	Fig. No.	Description	No. Off	Part No.
1	Spring Washer	8	S.3105	18	Rivet	2	87096
2	Nut	8	S.1105	21	Screw Fixing Number Plate ...	4	S.10028
3	Flat Washer	3	S.3055	22	Nut	4	S.1004
4	Joint for Intake Elbow	1	97493	25	Eye Rod R.H.	1	83113
5	Intake Elbow	1	77438	26	Grommet	2	83111
6	Bolt	3	2957	27	Spring	2	83115
7	Clip	1	10855	28	Washer	2	97733
8	Clip	1	77668	29	Nut	2	S.12112
9	Rubber Bellows	1	97366	30	Bush—Nylon	2	84788
—	Stiffener for Bellows	1	97526	31	Ornament for Spare Wheel Cowl ing (including Fixing Bolts, Nuts and Washers) ...	1	90523
10	Beading for Engine Wing and Spare Wheel Cowling ...	2	90510	32	Eye Rod L.H.	1	54890
11	Spring Clip	2	73954	33	Screw	2	S.14415
12	Bolt Fixing Ornaments	6	93122	34	Luggage Hook	1	57468
13	Washer	6	S.12542	35	Plate for Hook	1	57371
15	Nut	6	S.12118	36	Spare Wheel Cowling	1	73955
16	Ornament for Engine Wing (including Fixing Bolts, Nuts and Washers)	1	90522	37	Engine Wing	1	73951
17	Sheath	2	24041	38	Rear No. Plate	1	34986



T.10
VSC 1

SPARE WHEEL, BATTERY CARRIER AND PARCEL COMPARTMENT



SPARE WHEEL, BATTERY CARRIER AND PARCEL COMPARTMENT

T.10

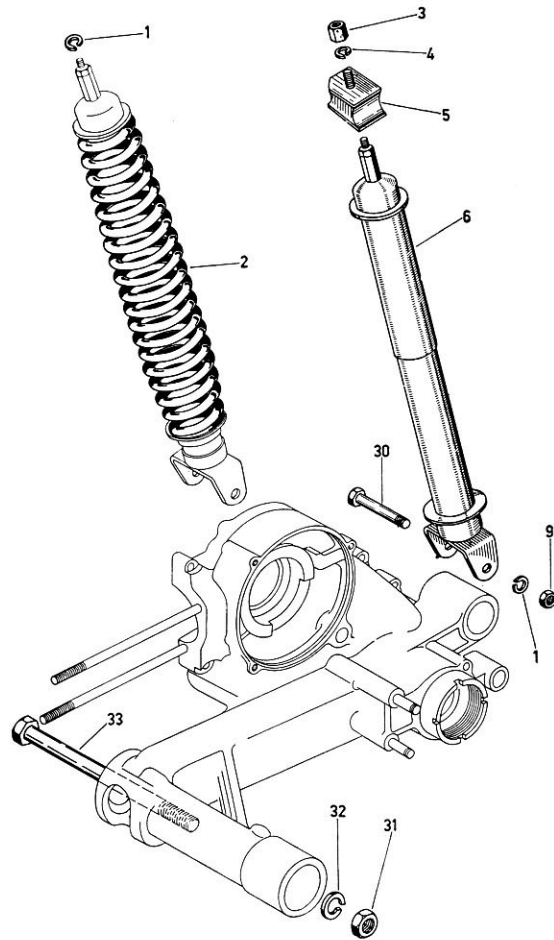
Fig. No.	Description	No. Off	Part No.	Fig. No.	Description	No. Off	Part No.
1	Spare Wheel less tyre and tube	1	10	25	Screw securing Compartment—		
1	Spare Wheel with tyre and tube	1	11		Lower	2	S.14726
2	Shield for Spare Wheel ...	1	90869	26	Nut	6	S.1105
3	Clamp Fixing Battery	1	94740	27	Washer	4	S.12528
4	Strap	1	57150	28	Parcel Compartment	1	73204
5	Wing Nut	1	15336	29	Beading—Compartment to		
6	Plug	2	56654		Chassis	1	73210
7	Battery Cover	1	57051	30	Bolt securing Compartment—		
8	Buffer	2	25965		Upper	2	2957
9	Distance Piece	2	93195	31	Packing for Lid	1	73209
10	Buffer	1	57156	32	Parcel Compartment Lid	1	73208
11	Nut Fixing Spare Wheel ...	2	S.1008	33	Pin securing Lid	2	97523
12	Spring Washer	2	S.3108	34	Toolkit Retaining Spring	1	12218
22	Key (see note)	2	97463	35	Grommet	1	90528
24	Lock for Parcel Compartment	1	73258	36	Threaded Washer	1	56649
—	Stop Plate	1	73260	37	Spacer	1	56648
—	Spring for Lock	1	73111	38	Bolt securing Shield	1	56647

IMPORTANT NOTE: When ordering replacement keys, the number on the original key must be quoted

scooterhelp.com



REAR DAMPER AND SPRING



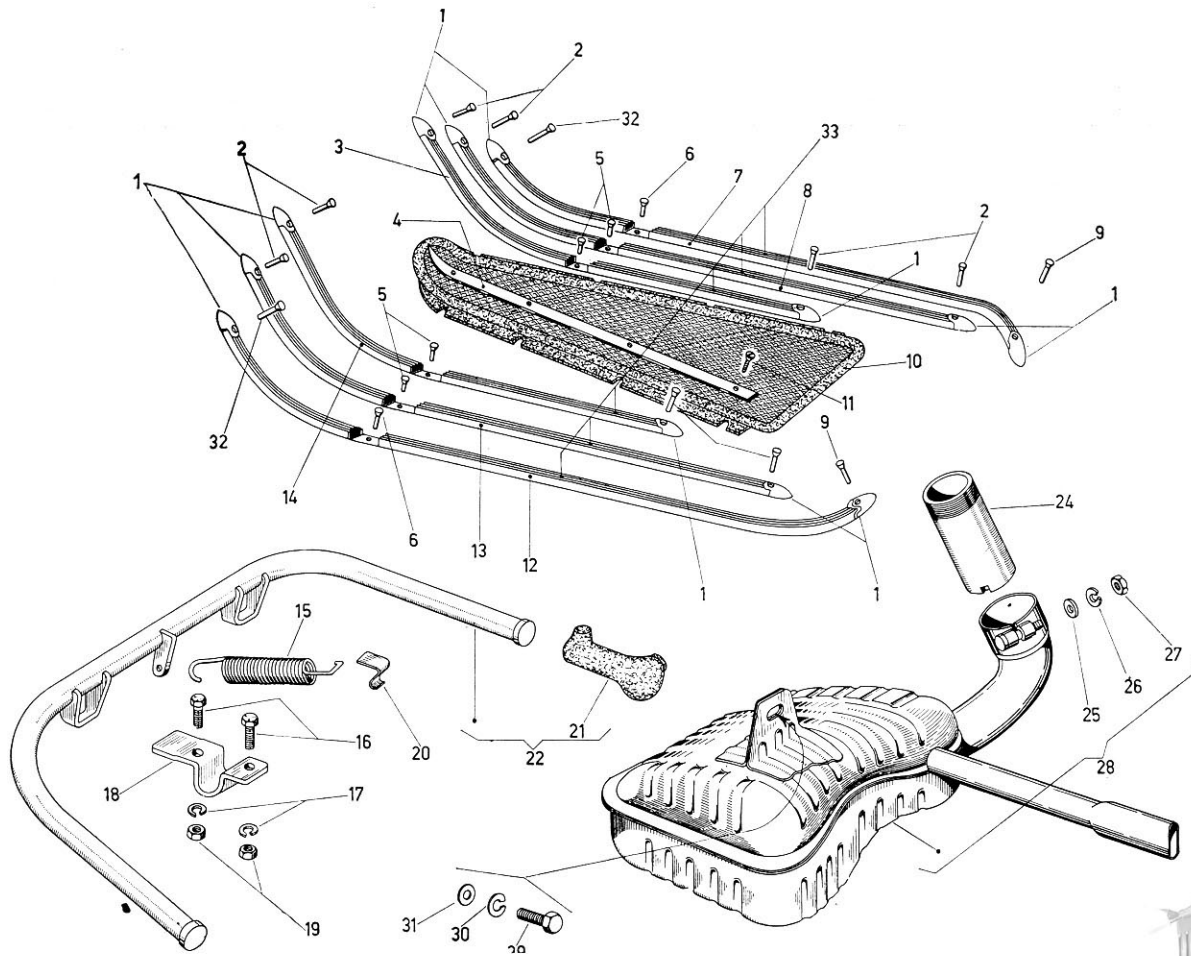
REAR DAMPER AND SPRING

T.II

Fig. No.	Description	No. Off	Part No.	Fig. No.	Description	No. Off	Part No.
1	Spring Washer	2	S.3109	—	Spacer Nut	1	70642
2	Rear Suspension Spring	1	73758	—	Stop Washer	1	S.13957
3	Nut	1	S.12109	30	Bolt	1	S.14689
4	Spring Washer	1	S.3108	31	Nut	1	S.1214
5	Elastic Support	1	60536	32	Spring Washer	1	S.3114
6	Rear Damper	1	150397	33	Bolt	1	81803
9	Nut	1	S.1209				



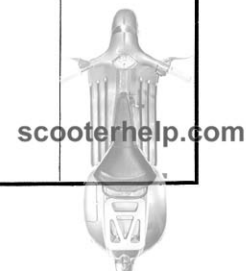
CHANNELS, CENTRE STAND AND SILENCER GROUP



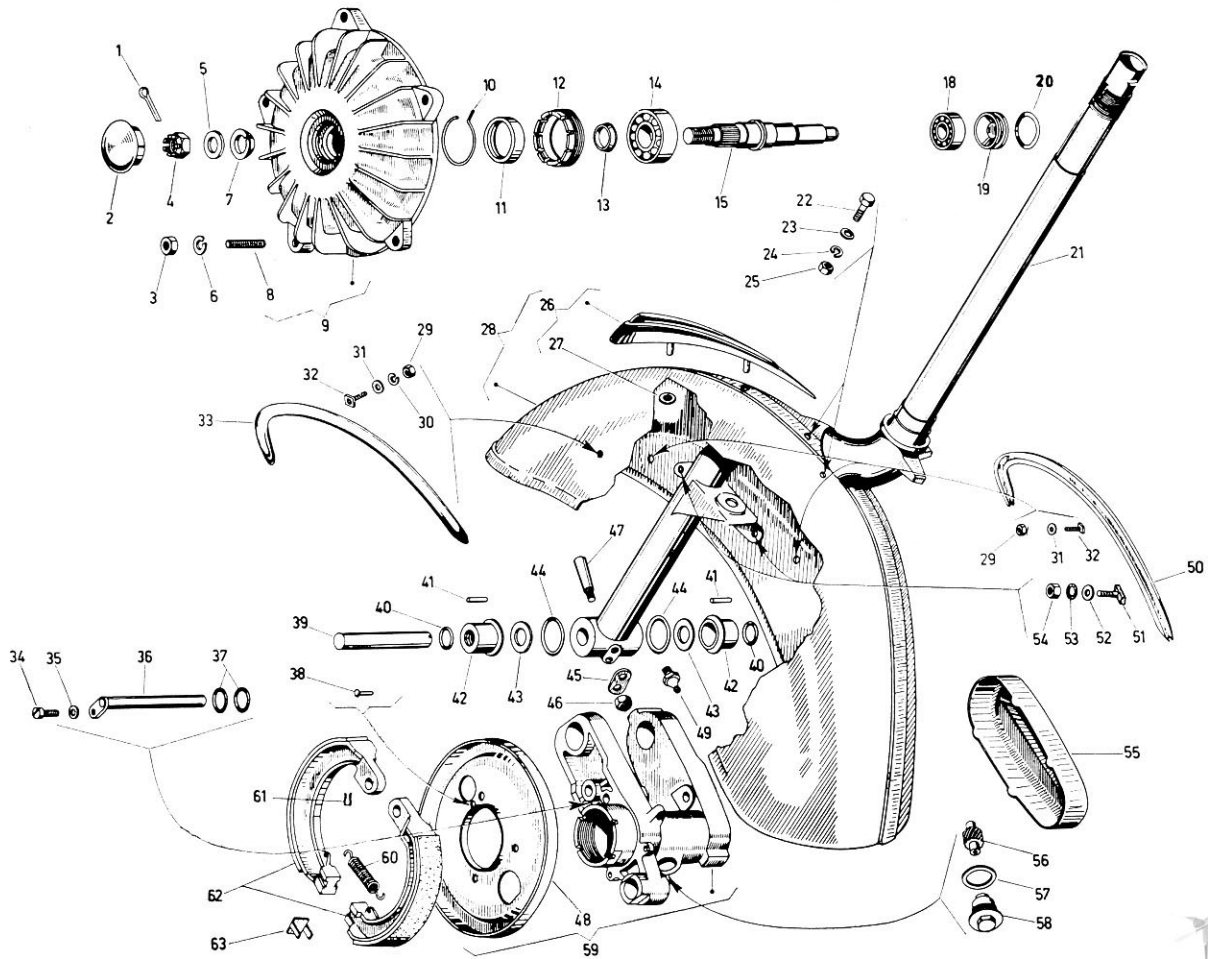
CHANNELS, CENTRE STAND AND SILENCER GROUP

T.12

Fig. No.	Description	No. Off	Part No.	Fig. No.	Description	No. Off	Part No.
1	End Cap	12	73405	18	Stand Clip R.H.	1	59188
2	Rivet	8	S.10869	18	Stand Clip L.H.	1	59189
3	2nd Inner Channel R.H.	1	73403	19	Nut	4	S.1006
4	Strip R.H.	1	85073	20	Spring Clip	1	77252
4	Strip L.H.	1	85074	21	Stand Rubber R.H.	1	54146
5	Rivet	10	S.10805	21	Stand Rubber L.H.	1	54147
6	Rivet	10	S.10805	22	Centre Stand with Feet	1	71968
7	Outer Channel R.H.	1	73399	24	Tube	1	78308
8	1st Inner Channel R.H.	1	73401	25	Flat Washer	1	S.3058
9	Rivet	2	S.10868	26	Spring Washer	1	S.3108
10	Mat	1	85072	27	Nut	1	S.1008
11	Screw	8	S.897	28	Silencer complete	1	112941
12	Outer Channel L.H.	1	73400	29	Bolt	1	S.14691
13	1st Inner Channel L.H.	1	73402	30	Spring Washer	1	S.3110
14	2nd Inner Channel L.H.	1	73404	31	Flat Washer	1	S.3060
15	Stand Return Spring	1	47872	32	Rivet	2	S.10868
16	Bolt	4	S.12281	33	Tread Rubber	16 ft.	94625
17	Spring Washer	4	S.3106				



STEERING COLUMN, FRONT MUDGUARD AND FRONT HUB GROUP



STEERING COLUMN, FRONT MUDGUARD AND FRONT HUB GROUP

T.13

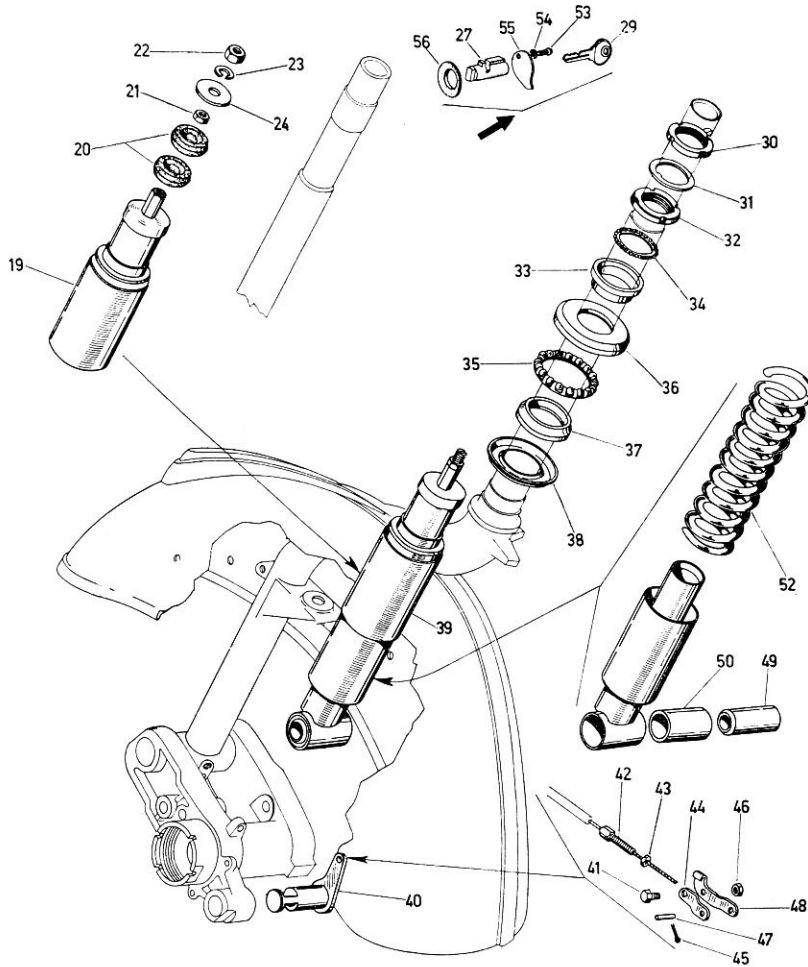
Fig. No.	Description	No. Off	Part No.	Fig. No.	Description	No. Off	Part No.
1	Split Pin	1	S.12787	34	Screw	1	S.10018
2	Hub Cap	1	56783	35	Spring Washer	1	S.3105
3	Nut	5	S.1008	36	Cam	1	92754
4	Nut	1	S.2314	37	Seal	2	11623
5	Washer	1	S.13879	38	Rivet	2	S.5763
6	Spring Washer	5	S.3108	39	Pivot	1	55271
7	Cone—External	1	32654	40	Ring	2	S.6718
8	Stud	5	85914	41	Roller	36	30412
9	Front Brake Drum	1	56168	42	Liner	2	53871
10	Circlip	1	52762	43	Washer	2	53869
11	Oil Seal	1	2/94119	44	Ring	2	53871
12	Lock Ring	1	58706	45	Stop Plate	1	55273
13	Cone—Internal	1	52754	46	Nut	1	S.12039
14	Bearing	1	7563	47	Cotter	1	55272
15	Front Wheel Spindle	1	92416	48	Disc	1	55269
18	Bearing	1	2800	49	Grease Nipple	1	19556
19	Cap	1	53862	50	Mudguard Embellishment R.H. (including Fixing Bolts, Nuts and Washers)	1	90532
20	Joint	1	S.6733	51	Bolt	2	57401
21	Steering Column	1	71971	52	Washer	2	97733
22	Bolt	2	2957	53	Spring Washer	2	S.12528
23	Flat Washer	2	S.3055	54	Nut	2	S.12025
23	Washer	2	97733	55	Hub Cover	1	56778
24	Spring Washer	2	S.3105	56	Speedo Pinion	1	98655
25	Nut	2	S.1105	57	Washer	1	55133
26	Mudguard Crest with Clips	1	92714	58	Guide Bush	1	55131
27	Clip	2	37409	59	Hub Assembly	1	55270
28	Mudguard Less Crest	1	73195	60	Brake Shoe Return Spring	1	89993
29	Nut	4	S.12118	61	Circlip	1	61
31	Washer	4	S.12542	62	Front Brake Shoe	2	26832
32	Bolt	4	93122	63	Heel Plate	2	24410
33	Mudguard Embellishment L.H. (including Fixing Bolts, Nuts and Washers)	1	90533				



scooterhelp.com

T.14
VSC 1

**FRONT DAMPER, FRONT BRAKE CAM, STEERING RACES
AND SECURITY LOCK**



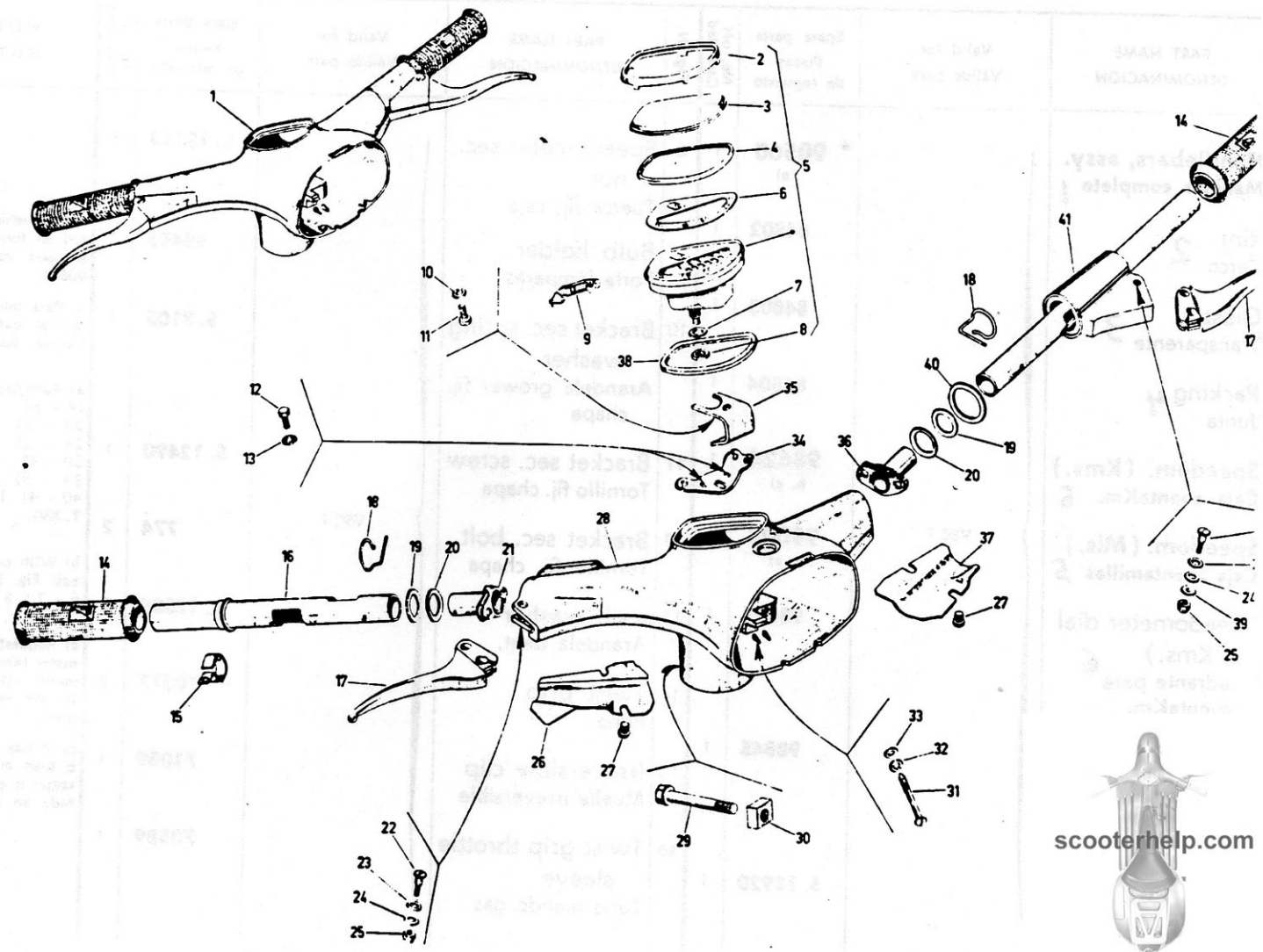
FRONT DAMPER, FRONT BRAKE CAM, STEERING RACES AND SECURITY LOCK T.14

Fig. No.	Description	No. Off	Part No.	Fig. No.	Description	No. Off	Part No.
19	Outer Casing	1	98938	39	Front Damper (Less Spring and Outer Casing)	1	151372
20	Buffer	2	57012				
21	Nut	1	S.12139	40	Cam and Lever	1	56865
22	Nut	1	S.12108	41	Bolt	1	2036
23	Spring Washer	1	S.3108	42	Front Brake Cable Adjuster	1	90527
24	Washer	1	55040	43	Locknut for Adjuster	1	S.1105
27	Security Lock with Keys	1	70603	44	Link	1	83608
29	Key (see note)	2	97463	45	Split Pin	2	S.12761
30	Lock Ring	1	11109	46	Nut	1	S.1107
31	Ring	1	3751	47	Pivot Pin	1	24952
32	Cup for Top Bearing	1	55986	48	Link	1	97108
33	Cone for Top Bearing	1	56641	49	Tube	1	92157
34	Bearing Cage—Top	1	77024	50	Rubber Bush	1	53851
35	Bearing Cage—Bottom	1	77023	52	Spring	1	56629
36	Cup for Bottom Bearing	1	92667	53	Pin	1	70605
37	Cone for Bottom Bearing	1	55989	54	Washer	1	70606
38	Dust Cover	1	19264	55	Cover for Lock	1	70604
				56	Packing	1	90957

IMPORTANT NOTE: When ordering replacement keys, the number engraved on the original key must be quoted. www.royalenscooterhelp.com



Handlebars
Manillar



Mod. VSC 1



HANDLEBAR AND SPEEDOMETER HEAD GROUP

T.15

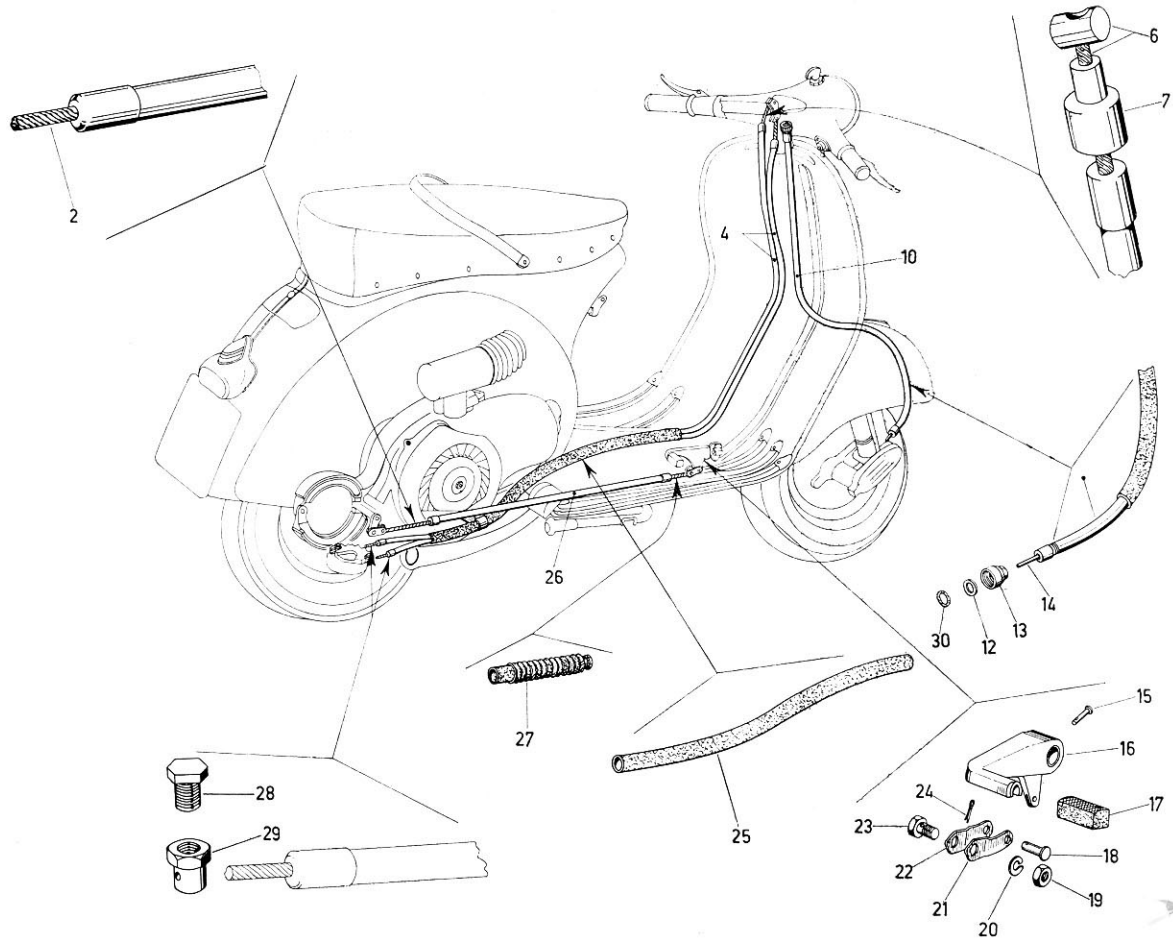
Fig. No.	Description	No. Off	Part No.	Fig. No.	Description	No. Off	Part No.
1	Handlebar Assembly	1	90560	22	Screw Fixing Levers	2	S.8520
2	Rim—Speedo Head	1	84802	23	Washer	2	17492
3	Glass—Speedo Head	1	84803	24	Washer	2	97734
4	Seal—Speedo Head	1	84804	25	Nut	2	S.12136
5	Speedometer Head	1	99008	26	Cover R.H.	1	71003
7	Washer	1	S.13920	27	Screw	4	S.14564
8	Nut	1	S.12113	28	Handlebar Centre Unit	1	73363
9	Speedo Bulb Holder—Plastic	1	98485	29	Bolt	1	70591
10	Spring Washer	1	S.3105	30	Nut	1	70620
11	Screw	1	S.12490	31	Screw	1	70583
12	Bolt	2	774	32	Spring Washer	1	S.3105
13	Washer	2	S.12528	33	Flat Washer	1	S.3055
14	Rubber Grip	2	70577	34	Plate	1	73555
15	Spring Clip	1	71039	35	Plate	1	70582
16	Throttle Tube	1	70589	36	Gear Change Bracket	1	73552
17	Front Brake and Clutch Lever ...	2	70578	37	Cover L.H.	1	71002
18	Spring Clip	2	97356	38	Seal	1	49548
19	Washer	2	70568	39	Washer	1	97733
20	Washer	2	93520	40	Washer	1	70858
21	Throttle Control Bracket	1	73556	41	Gear Change Control Tube	1	90538



T.16

VSC 1

GEAR CHANGE, REAR BRAKE AND SPEEDOMETER CABLE GROUP



scooterhelp.com



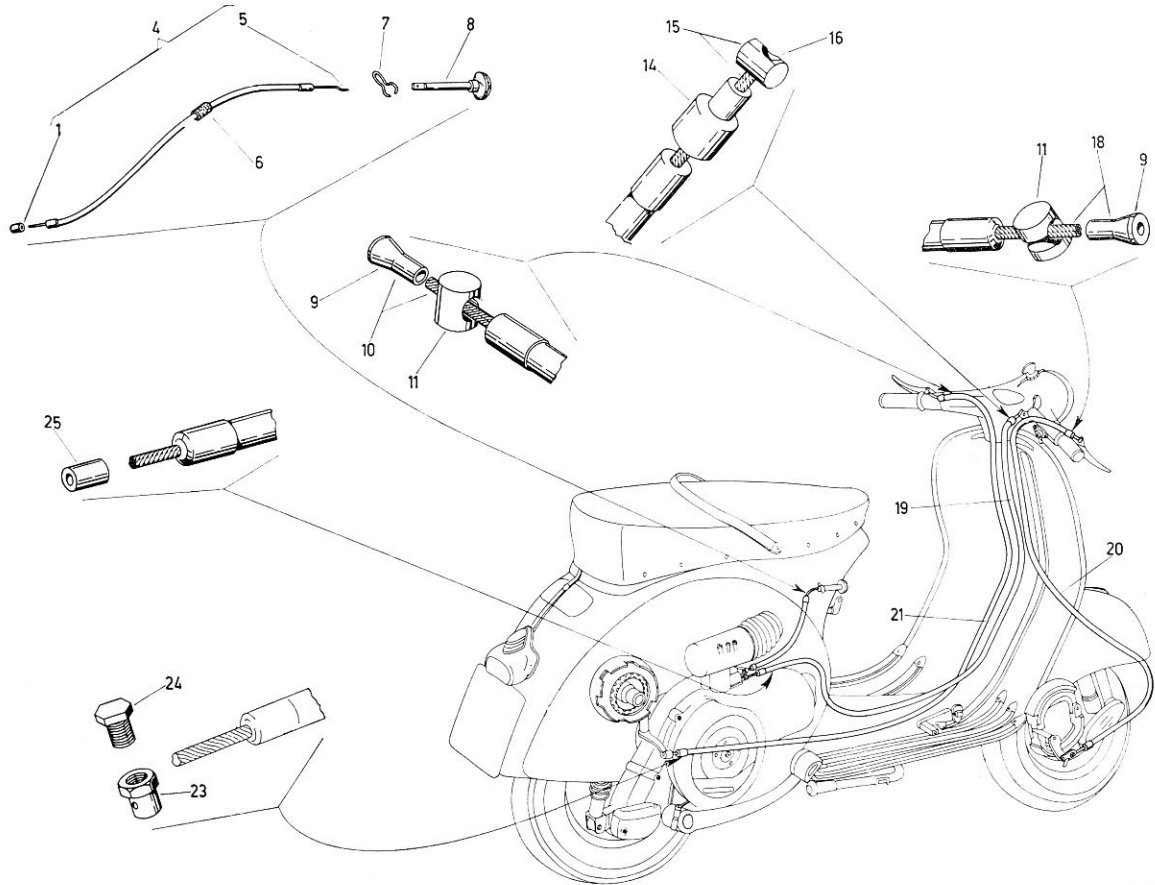
GEAR CHANGE, REAR BRAKE AND SPEEDOMETER CABLE GROUP

T.16

Fig. No.	Description	No. Off	Part No.	Fig. No.	Description	No. Off	Part No.
2	Inner Rear Brake Cable ...	1	85675	21	Link R.H.	1	92795
4	Gear Change Cable complete ...	2	90512	22	Link L.H.	1	92794
6	Inner Gear Change Cable ...	2	19060	23	Bolt	1	85673
7	Terminal	2	90511	24	Split Pin	1	S.12761
10	Speedometer Cable complete ...	1	90525	25	Tube	1	90541
12	Washer	1	57043	26	Rear Brake Cable complete ...	1	97619
13	Locking Nut	1	57044	27	Projection Tube	1	57321
14	Inner Speedometer Cable ...	1	90526	28	Screw } Up to Serial No.	2	S.10016
15	Pivot	1	S.11510	29	Bush } 0024119	2	15395
16	Footbrake Pedal	1	94451	28	Nipple with } From Serial Screw and Packing } No. 0024120	2	153198
17	Footbrake Pedal Rubber ...	1	93100	29			
18	Pivot	1	93796	30	Joint	1	57042
19	Nut	1	S.1426	—	Clamp for Gear Change Cables	1	90529
20	Washer	1	S.6939				



THROTTLE, CLUTCH, CHOKE AND FRONT BRAKE CABLE GROUP



THROTTLE, CLUTCH, CHOKE AND FRONT BRAKE CABLE GROUP

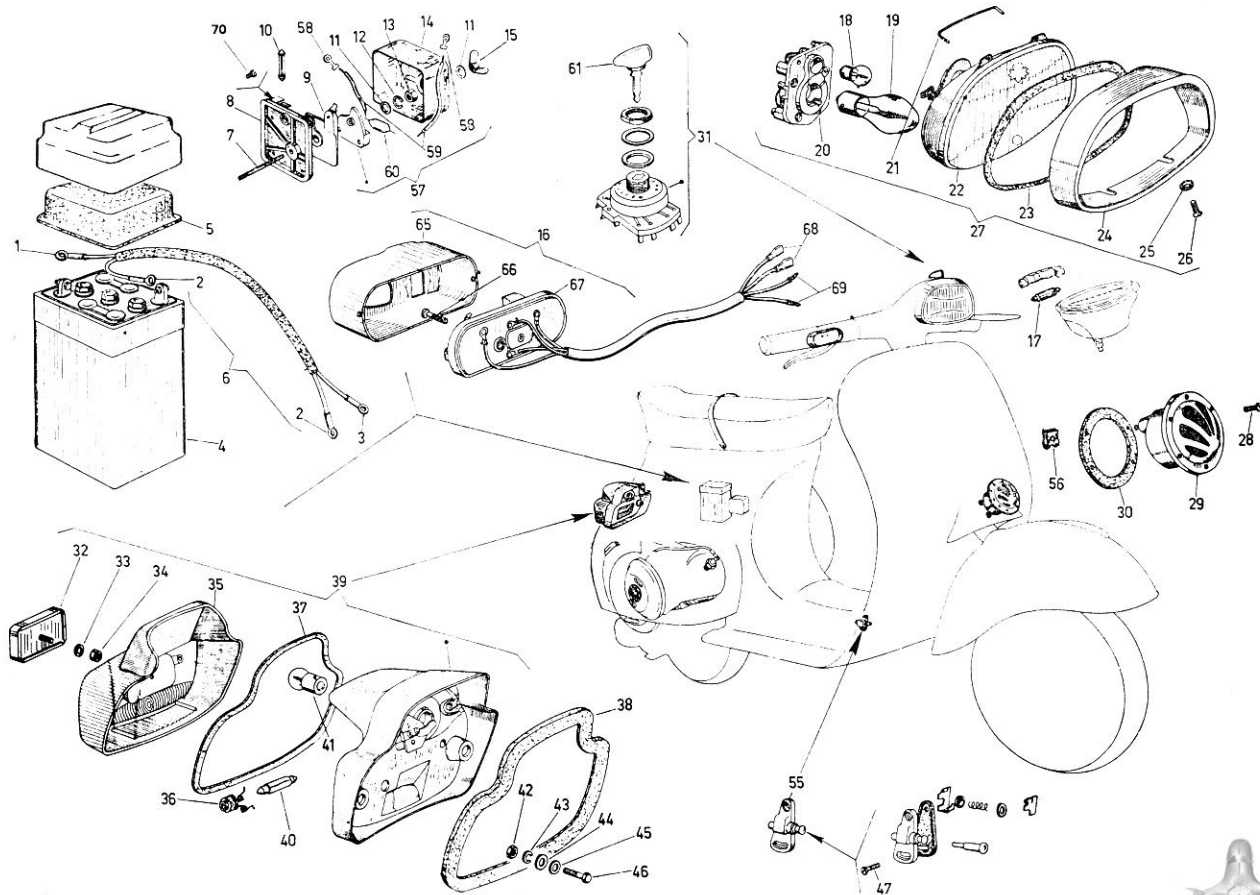
T.17

Fig. No.	Description	No. Off	Part No.	Fig. No.	Description	No. Off	Part No.
1	Terminal	1	93470	16	Nipple	1	26252
4	Choke Control complete	1	93268	18	Inner Front Brake Cable	1	90420
5	Inner Choke Cable	1	86071	19	Throttle Cable complete	1	90426
6	Grommet	1	77055	20	Font Brake Cable complete	1	90520
7	Spring Clip	1	50207	21	Clutch Cable complete	1	90516
8	Knob	1	90574	23	Bush } Up to Serial	1	15395
9	Nipple	2	2777	24	Screw } No. 0024119	1	S.10016
10	Inner Clutch Cable	1	22439	23	Nipple with } From Serial		
11	Terminal	2	18699	24	Screw and Packing } No. 0024120	1	153198
14	Terminal	1	90511	25	Nipple	1	24929
15	Inner Throttle Cable	1	26251				



T.18
VSC 1

**HEAD LAMP, HORN, RECTIFIER, BATTERY AND
TAIL LAMP GROUP**



HEADLAMP, HORN, RECTIFIER, BATTERY AND TAIL LAMP GROUP

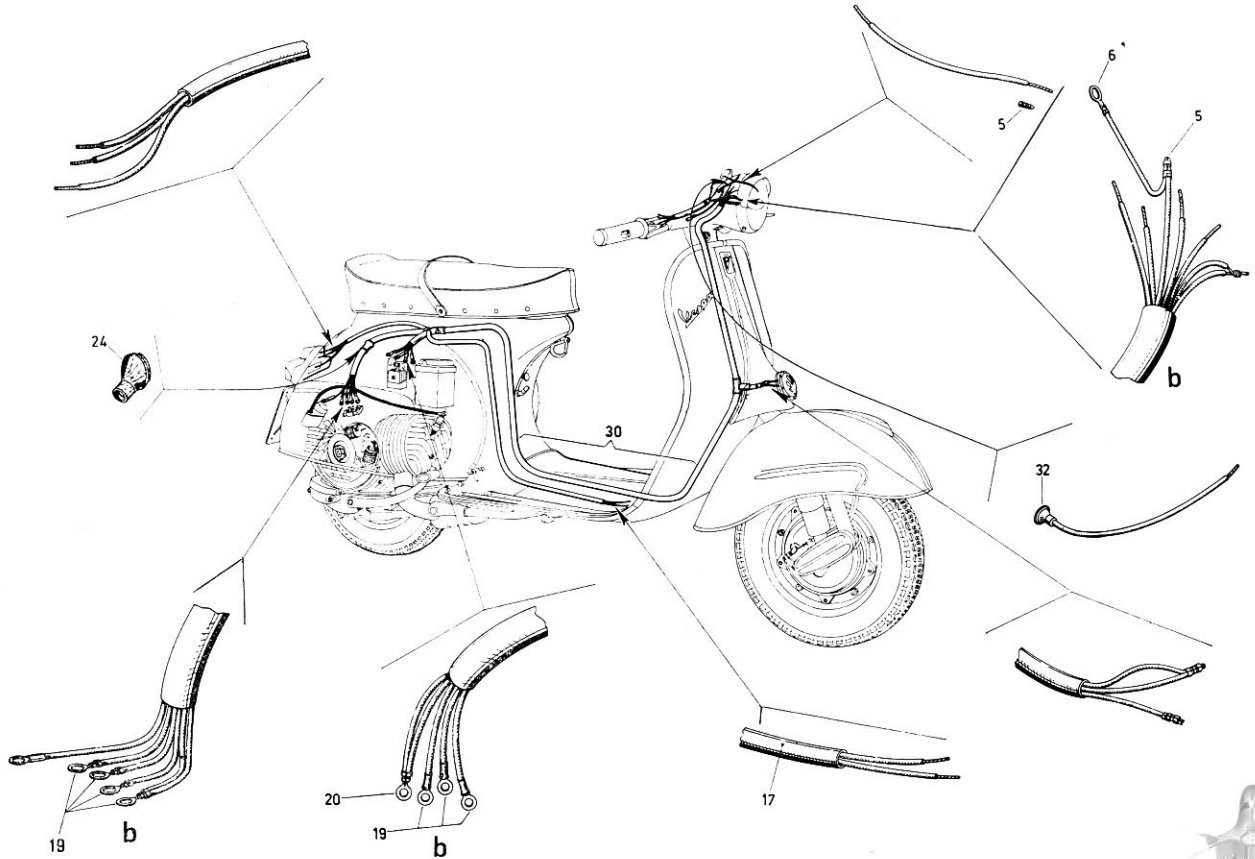
T.18

Fig. No.	Description	No. Off	Part No.	Fig. No.	Description	No. Off	Part No.
1	Tag	1	49654	35	Red Lens (from VSCIT		
2	Tag	2	S.8077		0018001)	1	150369
3	Tag	1	S.14501	36	Spring Clip	1	97443
4	Battery	1	90592	37	Joint (Up to VSCIT 0018000)	1	97442
5	Cover	1	57110	37	Joint (From VSCIT 0018001)	1	150743
6	Battery Lead	1	73626	38	Packing (Up to VSCIT 0018000)	1	70767
7	Stud	1	100067	38	Packing (From VSCIT 0018001)	1	100362
8	Rectifier Base and Fuse Holder	1	71451	39	Tail Lamp (Up to VSCIT 0018000)	1	70700
9	Rectifier Base	1	71454	39	Tail Lamp (From VSCIT 0018001)	1	91419
10	Fuse	1	2/24967	40	Tail Lamp Bulb	1	14454
11	Washer	2	S.13836	41	Stop Lamp Bulb	1	89278
12	Spring Washer	1	628	42	Nut	2	S.1105
13	Nut	1	S.12041	43	Spring Washer	2	S.3105
14	Rectifier Cover	1	73615	44	Washer	2	97733
15	Wing Nut	1	S.12134	45	Washer (Up to VSCIT 0018000)	2	S.3055
16	Dipswitch with Cable	1	73218	45	Washer (From VSCIT 0018001)	2	S.13754
17	Speedometer Bulb	1	81862	46	Bolt (Up to VSCIT 0018000) ...	1	S.12385
18	Parking Bulb	1	18498	46	Bolt (From VSCIT 0018001) ...	2	S.8909
19	Headlamp Bulb	1	16583	47	Bolt Fixing Stop Light Switch ...	2	S.14555
20	Bulb Holder	1	97406	48	Gasket for Stop Light Switch ...	1	82783
21	Spring Clip	1	97405	55	Stop Light Switch complete ...	1	93722
22	Reflector Glass Assembly	1	70261	56	Spring Plate Fixing Horn ...	4	S.8088
23	Seal	1	97408	57	Condensor and Support Assembly	1	100218
24	Headlamp Rim	1	70543	58	Tag	2	14501
25	Washer	2	42024	59	Cable	2	85721
26	Screw Fixing Rim	2	S.10012	60	Condensor	1	100220
27	Light Unit complete	1	70459	61	Ignition key	1	90919
28	Screw Fixing Horn	4	S.8431	65	Cover	1	90916
29	Horn	1	97890	66	Screw	1	3213
30	Horn Packing	1	70614	67	Dip Switch Base with Cable ...	1	90917
31	Ignition Switch complete	1	71676	68	Contact	2	55725
32	Reflector	1	89235	69	Pin	2	26930
33	Washer	1	S.13800	70	Screw	2	S.14692
34	Nut	1	624	—	Screw Securing Tail Lamp		
35	Red Lens (Up to VSCIT				Lens (Up to VSCIT 0018000)	2	90023
	0018000)	1	97440	—	Screw Securing Tail Lamp Lens		
					(From VSCIT 0018001) ...	2	150742

scooterhelp.com



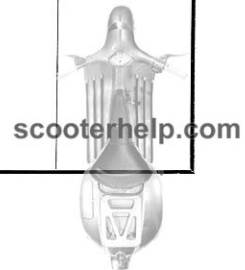
WIRING HARNESS



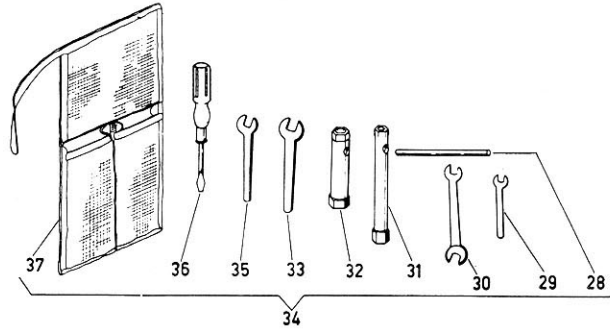
WIRING HARNESS

T.19

Fig. No.	Description	No. Off	Part No.	Fig. No.	Description	No. Off	Part No.
5	Pin	4	26930	30	Wiring Harness complete (From		
6	Tag	1	15473		VSCIT 0018001)	1	150433
—	Grommet	1	16516	32	Tag—Cable to Speedo Bulb ...	1	26378
19	Tag	8	14501	—	Contact Clamp for Cable Harness	8	55725
20	Tag	1	S.8077	—	Ring Tag	1	49654
24	Grommet	1	48171	—	Contact for Tail Lamp Leads ...	3	101906
30	Wiring Harness complete (Up to VSCIT 0018000)	1	73726				



TOOL KIT



TOOLKIT

T.20

Fig. No.	Description	No. Off	Part No.	Fig. No.	Description	No. Off	Part No.	
28	Tommy Bar	1	25468	36	Screwdriver	1	24611	
29	Flat Spanner 7/10 mm	1	84829	37	Tool Roll	1	2/22539	
30	Flat Spanner 11/14 mm	1	24610		Alternative Spanners which may be supplied:			
31	Box Spanner 11/14 mm	1	77478					
32	Box Spanner 21/22 mm	1	77479					
33	Flat Spanner 10 mm	1	17857			Flat Spanner 7/8 mm	1	25181
34	Toolkit complete	1	92988			Flat Spanner 8/10 mm	1	24612
35	Flat Spanner 8 mm	1	17856					



PRINTED BY
LAWRENCE BROS. (WESTON-SUPER-MARE) LTD.,
LONDON AND WESTON-SUPER-MARE
8311



MODIFICATIONS TO VESPA 180 c.c. SUPER SPORT MODEL VSCI

(These modifications are only applicable to the Gold coloured Supplement issued to be used in conjunction with the GS 160 c.c. Spare Parts List)

26.9.66/1,100/LB7333

Vespa S.S. Original Part No.	No. Off	Description	Vespa S.S. New Part No.	Table No.	Fig. No.	No. Off	Modification Introduced at Production No.
77375	1	S.A. of Clutch Gear and Plate	150081	2	36	1	VSCIM 0012800
90632	1	Brake Cam	150052°	4	19	1	VSCIT 007583
97213	1	Spring R.H.	90731*	8	8	1	—
97214	1	Spring L.H.	90732*	8	7	1	—
71955	1	Chassis (see Note 1)	150421°	8	47	1	VSCIT 0018001
93598	1	Knob	92217°	8	18	1	—
57089	1	Shield	90869	10	2	1	VSCIT 0010950
82230	1	Rear Suspension Spring	73758*	11	2	1	—
73756	1	Rear Damper	150397	11	6	1	—
49625	1	Choke Knob	90574	17	8	1	VSCIT 0015203
70700	1	Tail Lamp (see Note 2)	91419°	18A	39	1	VSCIT 0018001
70767	1	Packing for Tail Lamp	100362°	18A	38	1	VSCIT 0018001
97440	1	Lens	150369*	18A	35	1	VSCIT 0018001
90023	2	Screw Securing Lens	150742*	18A	—	2	VSCIT 0018001
97442	1	Packing	150743*	18A	37	2	VSCIT 0018001
S.12385	2	Bolt	S.8909*	18A	46	2	VSCIT 0018001
S.3055	2	Washer	S.13754	18A	45	2	VSCIT 0018001
S.14404	1	Screw	3213°	18A	66	1	—
73726	1	Wiring Harness	150433*	19	30	1	VSCIT 0018001
55725	3	Contact for Tail Lamp Leads	101906*	19	—	3	VSCIT 0018001

NOTE 1 Chassis Part No. 150421 can be fitted in lieu of Chassis Part No. 71955 provided Tail Lamp Cables are covered by Tube 87398 and 2 Grommets Part No. 15098 are fitted.

NOTE 2 Tail Lamp Part No. 91419 can be fitted in lieu of Tail Lamp Part No. 70700 provided connectors 101906 are fitted.

ADDITIONS

Brake Cam Return Spring	78521	4	—	1	VSCIT 009218
Packing for Backplate 111241	78163	4	—	1	

INTERCHANGEABILITY

The interchangeability mark is by the side of the new part number. New part numbers with no mark are interchangeable with the old part and vice-versa. New part numbers with an asterisk indicate no interchangeability with the old part. When new parts can replace the old part but not vice-versa, the new part number is marked thus °.



MODIFICATIONS TO VESPA 180 c.c. SUPER SPORT MODEL VSC1

These modifications are only applicable to the Gold coloured Supplement issued to be used in conjunction with the GS160 c.c. Spare Parts List)

1.3.66/1350/LB6643

Vespa S.S. Original Part No.	No. Off	Description	Vespa S.S. New Part No.	Table No.	Fig. No.	No. Off	Modification Introduced at Production No.
93266	1	Packing	91056*	1	40	1	—
97339	1	Kickstart Pedal	150006°	3	11	1	VSC1—009218
58874	1	Mainshaft (see Note 1)	90983°	4	38	1	VSC1—007200
23639	1	Cruciform	94944°	4	39	1	VSC1—007200
S6447	1	Circlip	18447	4	36	1	—
85290	1	Float Needle	150045°	6	23	1	—
90735	1	Carburettor complete	150522°	6	7	1	VSC1—0015400
90734	1	Main Jet 117/100 Main Jet 120/100	150521°	6	32	1	VSC1—0015400
97156	1	Valve	111292°	6	41	1	—
S3103	8	Spring Washer for S12118	S12542*	9	13	8	—
S13800	8	Flat Washer for S12118		9	14		—
10055	1	Wing Nut	93598°	10	5	1	—
73237	1	Front Mudguard Front Mudguard with Crest only	73195	13	28	1	—
70347	1	Steering Lock complete Steering Lock with cover, etc. only with Keys	70603	14	27	1	—
		Cover for Lock 70603	70604	14		1	—
		Pin for securing Cover 70604	70605	14		1	—
		Packing for Lock	97399	14		1	—
26249	2	Terminal	90511°	16	7	2	—
26587	1	Inner Throttle Cable	26251	17	15	1	—
54889	1	Battery	90592	18	4	1	VSC1—0010950
S15120	1	Tag	14501	18A	1	1	—

ADDITIONS

Wheel Pivot Group comprising 1—55271, 2—53871
2—53869, 36—30412, 2—53861 and 2—S6718
Top Attachment Bush for Front Damper
Nut securing Front Damper casing
Upper attachment nut
Upper attachment Spring Washer
Upper attachment Plain Washer
Set of Stand Fittings comprising 1—59189,
1—59188, 1—47872, 4—S12281, 4—S3106,
4—S3056, and 4—S1106

91623
57012
S12139
S12108
S3108
55040
W284

13
14
14
14
14
14
12

1
2
1
1
1
1
1

NOTE 1 Mainshaft Part No. 90983 can be fitted in lieu of Mainshaft Part No. 58874 provided Cruciform Part No. 94944 is also fitted.

INTERCHANGEABILITY

The interchangeability mark is by the side of the new part number. New part numbers with no mark are interchangeable with the old part and vice-versa. New part numbers with an asterisk indicate no interchangeability with the old part. When new parts can replace the old part but not vice-versa, the new part number is marked thus °.

