

**vespa®**

**VESPA 90 Model V9A1.**

**VESPA 125 Primavera Model VMA2.**

**VESPA 150 Super Model VBC1.**

**VESPA 150 Sprint Veloce Model VLB1.**

**VESPA RALLY 200 Model VSE1.**



**PIAGGIO**

**catalogue of spare parts**



# vespa catalogue of spare parts



**PIAGGIO**



## INDEX OF TABLES

- |           |  |          |   |
|-----------|--|----------|---|
| T. I      | - Crankcase - Cylinder : Mod. VBC 1 - VLB1 - VSE1.                     | T. IX/1  | - Cowls - Glove compartment - Silencer : Mod. VSE1.                       |
| T. I/1    | - Crankcase - Cylinder - Crankshaft : Mod. V9A1 - VMA2.                | T. IX/2  | - Frame - Tool cowl - Profile strips - Central stand : Mod. V9A1 - VMA2.  |
| T. II     | - Crankshaft - Clutch : Mod. VBC1 - VLB1 - VSE1.                       | T. X     | - Rear damper : Mod. V9A1 - VMA2 - VBC1 - VLB1 - VSE1.                    |
| T. II/1   | - Clutch - Starter lever : Mod. V9A1 - VMA2.                           | T. XI    | - Profil strips - Central stand - Silencer : Mod. VBC1 - VLB1 - VSE1.     |
| T. III    | - Gear group - Rear Wheel Hub : Mod. VBC1 - VLB1 - VSE1.               | T. XII   | - Steering column - Mudguard - Wheel hub : Mod. VBC1 - VLB1 - VSE1.       |
| T. III/1  | - Rear wheel hub - Gear group - L. T. socket : Mod. V9A1 - VMA2.       | T. XII/1 | - Steering column - Mudguard - Wheel hub : Mod. V9A1 - VMA2.              |
| T. IV     | - Spring gear - Starter lever : Mod. VBC1 - VLB1 - VSE1.               | T. XIII  | - Front damper : Mod. V9A1 - VMA2 - VBC1 - VLB1 - VSE1.                   |
| T. V      | - Flywheel magneto : Mod. VBC1 - VLB1 - VSE1.                          | T. XIV   | - Handlebars : Mod. V9A1 - VMA2 - VBC1 - VLB1 - VSE1.                     |
| T. V/1    | - Flywheel magneto - Coils : Mod. V9A1 - VMA2.                         | T. XV    | - Transmissions : Mod. VBC1 - VLB1 - VSE1.                                |
| T. VI     | - Carburettor - Air cleaner : Mod. VBC1 - VMA2.                        | T. XV/1  | - Transmissions - Rear brake pedal : Mod. V9A1 - VMA2.                    |
| T. VI/1   | - Carburettor - Air cleaner : Mod. V9A1 - VMA2.                        | T. XVI   | - Electrical equipment : Mod. V9A1 - VMA2 - VBC1 - VLB1 - VSE1.           |
| T. VII    | - Gear selector - L. T. socket - H. T. coil : Mod. VBC1 - VLB1 - VSE1. | T. XVII  | - Electrical connections : Mod. V9A1 - VMA2 - VBC1 - VLB1 - VSE1.         |
| T. VIII   | - Saddle - Fuel tank - Luggage carrier : Mod. VBC1 - VLB1 - VSE1.      | T. XVIII | - Wheel - Tool kit - Accessories : Mod. V9A1 - VMA2 - VBC1 - VLB1 - VSE1. |
| T. VIII/1 | - Saddle - Fuel tank - Fuel cock : Mod. V9A1 - VMA2.                   |          |   |
| T. IX     | - Chassis - Tool cowl - Engine cowl : Mod. VBC1 - VLB1 - VSE1.         |          |   |

**IMPORTANT NOTICE**



On this Catalogue we have illustrated, according to dismantling process, the parts supplied as spare parts concerning the under mentioned Vespa types for the U.S.A. market, production year 1973÷1974 (with front and rear trafficator lights).

**VESPA 90** Model V9A1.

**VESPA 125 Primavera** Model VMA2.

**VESPA 150 Super** Model VBC1.

**VESPA 150 Sprint Veloce** Model VLB1.

**VESPA RALLY 200** Model VSE1.

In each table of this Catalogue the parts are marked by the figure number; on the concerning tables there are carried out the corresponding drg. No. (to be quoted when ordering spare

parts), part-name, quantity and Vespa model for which the concerning parts are valid.

**The Tables are grouped as follows:**

**Engine:** T. I÷VII.

**Frame:** T. VIII÷XI.

**Steering:** T. XII÷XIII.

**Handlebars:** T. XIV.

**Transmissions:** T. XV÷XV/1.

**Electrical equipment:** T. XVI÷XVII.

**Wheel - Tools - Accessories:** T. XVIII.

**Notice** - Eventual modifications that will be introduced in the future during the production, will be communicated with amendment sheets.

T. I CRANKCASE - CYLINDER : MOD. VBC1 - VLB1 - VSE1

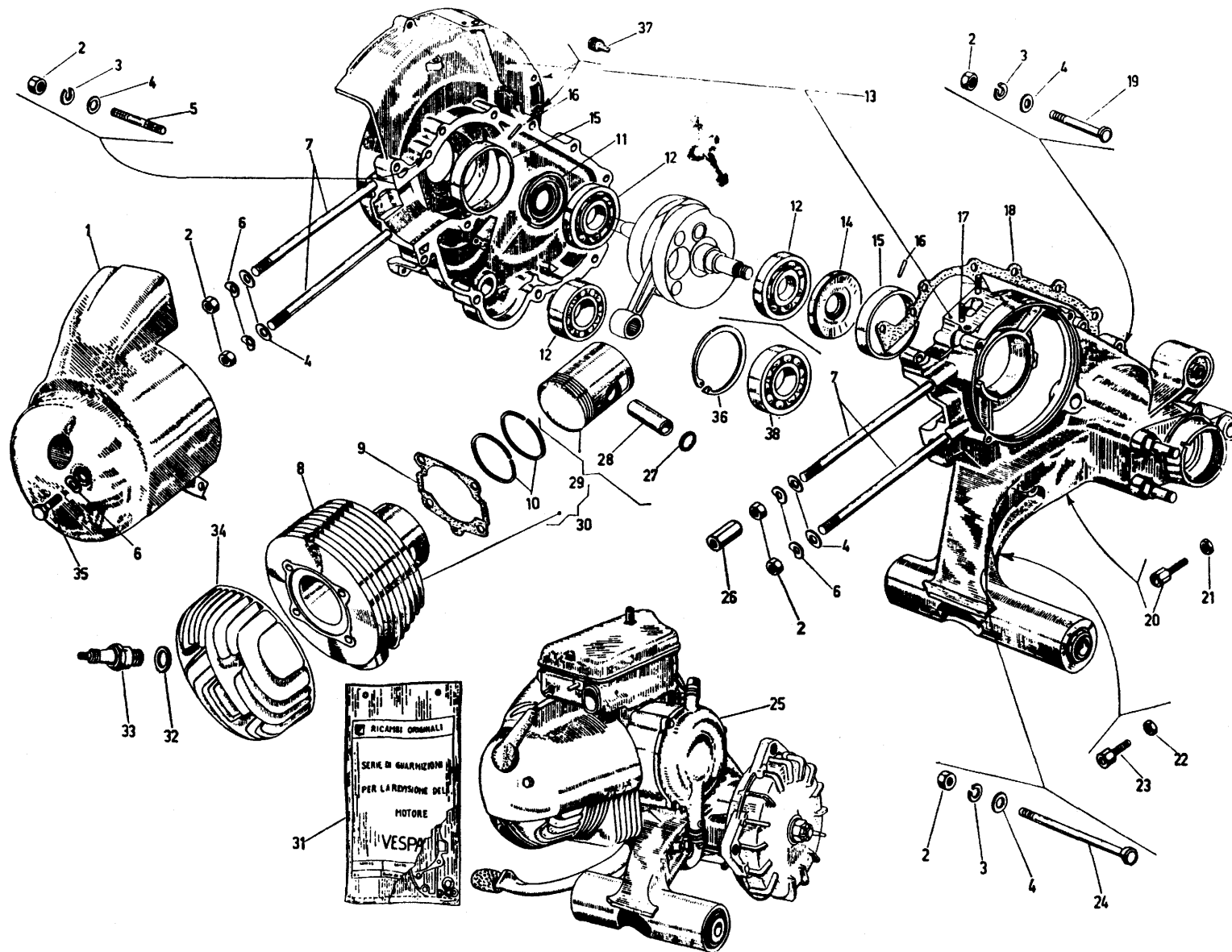


Fig. No.	PART NAME	Valid for	Spare parts	Quantity	Fig. No.	PART NAME	Valid for	Spare parts	Quantity	Fig. No.	PART NAME	Valid for	Spare parts	Quantity
1	Cooling hood	VBC1 - VLB1	<b>113489</b>	1	7	Cylinder sec. stud	VSE1	<b>S. 553</b>	4	11	Oil seal (flywheel side)	VBC1 - VLB1	<b>84644</b>	1
1	Cooling hood	VSE1	<b>120535</b>	1	8	Cylinder	All	*	—	11	Oil seal	VSE1	<b>S. 8795</b>	1
2	Nut	All	<b>S. 20107</b> ●)	16	9	Gasket	VBC1	<b>89120</b>	1	12	Bearing	VBC1 - VLB1	<b>93031</b>	2
2	Nut	VSE1	<b>S. 20108</b> ▲)	4	9	Gasket	VLB1	<b>122790</b>	1	12	Bearing	VSE1	<b>112108</b>	1
3	Spring washer	↑ All	<b>S. 16407</b> ●)	12	9	Gasket	VSE1	<b>130977</b>	1	13	Crankcase, assy.	VBC1	<b>131163</b> a)	1
4	Plain washer	↓	<b>S. 3057</b> ●)	15	10	Piston ring, normal	VBC1 - VLB1	<b>26578</b>	2	13	Crankcase, assy.	VLB1	<b>131207</b> a)	1
4	Cylinder sec. plain washer	VSE1	<b>S. 3058</b> ▲)	4	10	Piston ring, normal	VSE1	<b>136340</b>	2	13	Crankcase, assy.	VSE1	<b>130581</b> a)	1
5	Crankcase halves fitting stud	All	<b>S. 11288</b> ●)	6	10	Piston ring, 1st o/s.	VBC1 - VLB1	<b>27690</b>	2	14	Oil seal (clutch side)	VBC1 - VLB1	<b>2/49290</b>	1
6	Spring washer	VBC1 - VLB1	<b>S. 6977</b> ▲)	5	10	Piston ring, 1st o/s.	VSE1	<b>132040</b>	2	14	Oil seal (clutch side)	VSE1	<b>112156</b>	1
6	Spring washer	↑ VSE1	<b>S. 16408</b> ▲)	4	10	Piston ring, 2nd o/s.	VBC1 - VLB1	<b>27691</b>	2	15	Bush	↑ VBC1 - VLB1	<b>80992</b>	2
6	Cooling hood sec. spring washer	↓	<b>S. 6968</b>	1	10	Piston ring, 2nd o/s.	VSE1	<b>132041</b>	2	16	Dowel pin	↓	<b>S. 13005</b>	2
7	Cylinder sec. stud	VBC1 - VLB1	<b>150656</b>	4	10	Piston ring, 3rd o/s.	VBC1 - VLB1	<b>27692</b>	2	17	Carburettor sec. stud	All	<b>S. 521</b>	2
										18	Gasket	VBC1	<b>49502</b>	1

T. I

Fig. No.	PART NAME	Valid for	Spare parts	Quantity	Fig. No.	PART NAME	Valid for	Spare parts	Quantity	Fig. No.	PART NAME	Valid for	Spare parts	Quantity
18	Gasket	VLB1	<b>122791</b>	1	26	Spacer nut	VSE1	<b>S. 15239</b>	1	29	<b>Piston - wrist pin assy., 2nd o/s.</b>	VBC1	<b>90818</b> c)	1
18	Gasket	VSE1	<b>130978</b>	1	27	Circlip	VBC1 - VLB1	<b>S. 6615</b>	2	29	<b>Piston - wrist pin assy., 2nd o/s.</b>	VLB1	<b>124417</b> c)	1
19	Crankcase halves sec. bolt, short	↑ All ↓	<b>S. 12485</b> e)	7	27	Circlip	VSE1	<b>S. 6616</b>	2	29	<b>Piston - wrist pin assy., 2nd o/s.</b>	VSE1	<b>132050</b> c)	1
20	Adjusting screw for rear brake		<b>23823</b>	1	28	Wrist pin	VBC1 - VLB1	<b>2/13127</b>	1	29	<b>Piston - wrist pin assy., 2nd o/s.</b>	VBC1	<b>90819</b> c)	1
21	Nut for screw		<b>S. 20207</b>	1	28	Wrist pin	VSE1	<b>119813</b>	1	29	<b>Piston - wrist pin assy., 3rd o/s.</b>	VLB1	<b>124418</b> c)	1
22	Nut for screw		<b>S. 20105</b>	1	29	<b>Piston - wrist pin assy., normal</b>	VBC1	<b>90626</b> c)	1	29	<b>Piston - wrist pin assy., 3rd o/s.</b>	VSE1	<b>132051</b> c)	1
23	Adjusting screw for clutch		<b>90527</b>	1	29	<b>Piston - wrist pin assy., normal</b>	VLB1	<b>122825</b> c)	1	29	<b>Piston - wrist pin assy., 3rd o/s.</b>	VBC1	<b>90628</b> d)	1
24	Bolt, long		<b>S. 14565</b> e)	1	29	<b>Piston - wrist pin assy., normal</b>	VSE1	<b>130967</b> c)	1	30	<b>Cylinder - piston - wrist pin, assy.</b>	VLB1	<b>122826</b> d)	1
25	<b>Engine, assy.</b>	VBC1	<b>145226</b> b)	1	29	<b>Piston - wrist pin assy., 1st o/s.</b>	VBC1	<b>90817</b> c)	1	30	<b>Cylinder - piston - wrist pin, assy.</b>	VSE1	<b>132056</b> d)	1
25	<b>Engine, assy.</b>	VLB1	<b>145661</b> b)	1	29	<b>Piston - wrist pin assy., 1st o/s.</b>	VLB1	<b>124416</b> c)	1					
25	<b>Engine, assy.</b>	VSE1	<b>145544</b> b)	1	29	<b>Piston - wrist pin assy., 1st o/s.</b>	VSE1	<b>132048</b> c)	1					
26	Spacer nut	VBC1 - VLB1	<b>S. 1447</b>	1										



Fig. No.	PART NAME	Valid for	Spare parts	Quantity	Fig. No.	PART NAME	Valid for	Spare parts	Quantity	Fig. No.	PART NAME	Valid for	Spare parts	Quantity
31	Set of gaskets for engine overhauling	VBC1	<b>91991</b> •)	1	37	Plug	↑ VSE1	<b>87685</b>	2					
31	Set of gaskets for engine overhauling	VLB1	<b>154501</b> •)	1	38	Bearing, clutch side	↓	<b>97804</b>	1					
31	Set of gaskets for engine overhauling	VSE1	<b>154525</b> •)	1										
32	Sparking plug washer	All	<b>318</b>	1										
33	Sparking plug	VBC1 - VLB1	<b>87767</b> f)	1										
33	Sparking plug	VSE1	<b>137917</b> f)	1										
34	Cylinder head	VBC1	<b>90970</b>	1										
34	Cylinder head	VLB1	<b>123474</b>	1										
34	Cylinder head	VSE1	<b>130139</b>	1										
35	Bolt sec. cool. hood	VBC1 - VLB1	<b>S. 15522</b>	1										
35	Bolt sec. cool. hood	↑ VSE1	<b>S. 15593</b>	1										
36	Circlip	↓	<b>S. 6662</b>	1										

a) With parts fig. No.: 2 - 3 - 4 - 5 - 6 - 7 - 15 - 16 - 17 - 18 - 19 - 24 - 36 - 37 - T. I; 5 - 6 - 40 - 41 - 42 - 43 - 44 - 45 - T. II; 1 - 5 - 15 - 16 - 17 - 18 T. IV.

b) Parts fig.: T. I ÷ VII.

c) With parts fig. No.: 27 - 28.

d) With parts fig. No.: 8 - 10 - 29.

e) With parts fig. No.: 9 - 18 - T. I; 6 - 35 - 37 - 39 - T. III; 14 - 31 - 53 - 57 - T. VI; 25 - 27 T. VII.

f) The other sparking - plugs indicated on the Service Station Manual can also be mounted.

●) Fitting crankcase halves.

▲) Securing cylinder head and cylinder to the crankcase.

★) The cylinder - piston - wrist pin assy. (fig. 30) is furnished as spare parts.

T. 1/1

CRANKCASE - CYLINDER - CRANKSHAFT: MOD. V9A1 - VMA2.

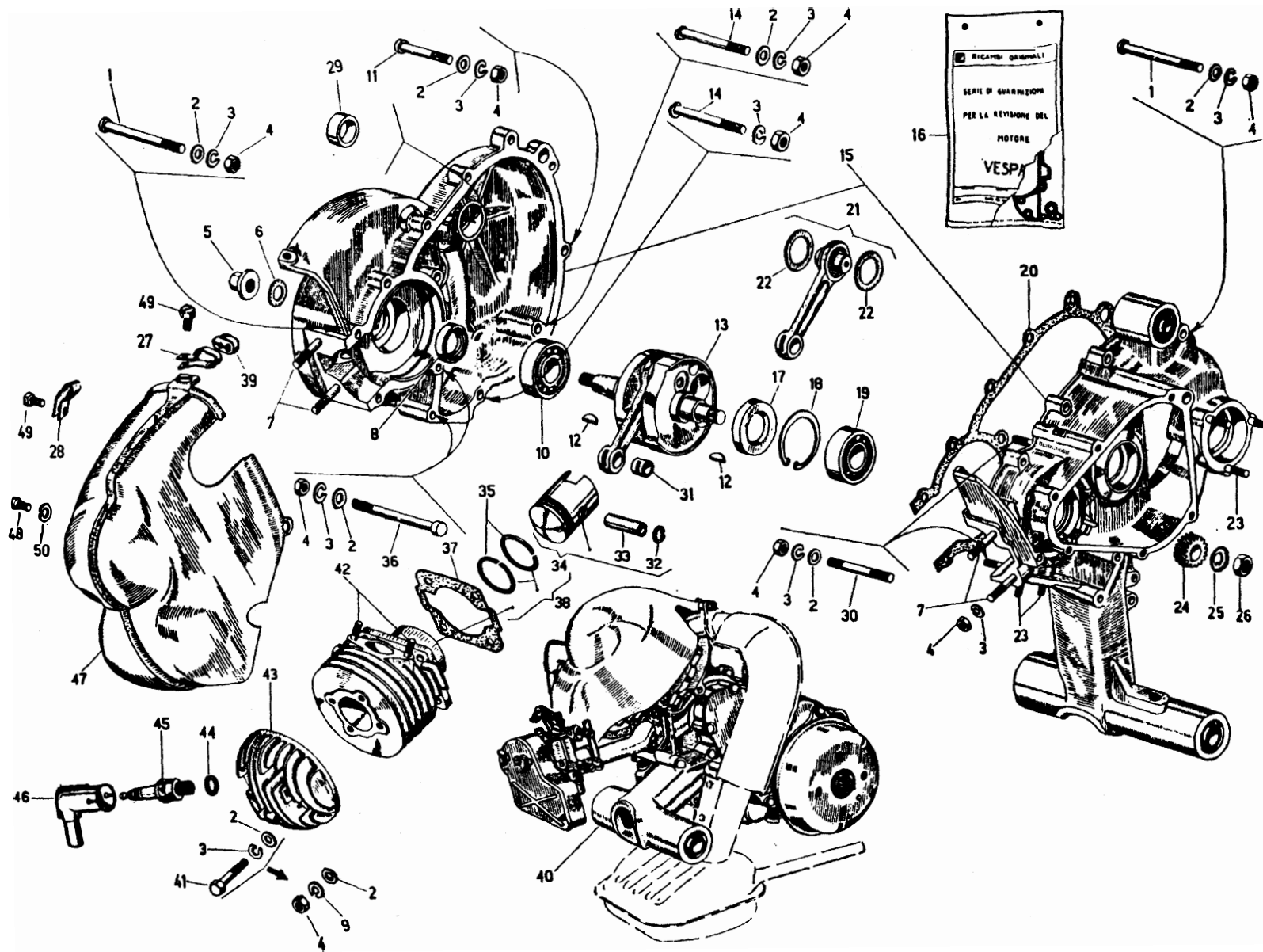


Fig. No.	PART NAME	Valid for	Spare parts	Quantity	Fig. No.	PART NAME	Valid for	Spare parts	Quantity	Fig. No.	PART NAME	Valid for	Spare parts	Quantity		
1	Bolt, long	↑ All ↓	S. 8499	3	12	Key	All	267	2	21	Con - rod crank pin assy.	↑ All ↓	91329 e)	1		
2	Plain washer		S. 3057	16	13	Crankshaft	V9A1	123294 a)	1	22	Shoulder washer		All	78332	2	
3	Spring washer		S. 16407	21	13	Crankshaft	VMA2	123296 a)	1	23	Stud sec. inlet pipe		↓	S. 584	2	
4	Nut		S. 20107	17	14	Bolt	All	S. 8421	7	24	Clutch drive gear		V9A1	78493	1	
5	Nut and collar		S. 1545	1	15	Crankcase assy.	V9A1	145339 b)	1	24	Clutch drive gear		VMA2	111666	1	
6	Star washer		686	1	15	Crankcase assy.	VMA2	110699 b)	1	24	Clutch drive gear		↑	S. 1821	1	
7	Stud		V9A1	S. 480	4	16	Set of gaskets for engine overhauling	V9A1	91925 c)	1	25		Stop washer	↑	S. 1510	1
7	Stud		VMA2	150656	4	16	Set of gaskets for engine overhauling	VMA2	153509 d)	1	26		Nut	↑	97570	1
8	Oil seal		All	S. 8720 S. 155574	1	17	Oil seal (clutch side)	↑	S. 8731	1	27		Strap	↑	101739	1
9	Spring washer sec. cylinder and head		VMA2	S. 6977	4	18	Circlip	↑	S. 6647	1	28		Strap sec. cables	↑	S. 7188	1
10	Bearing, flywheel side		↑ All ↓	S. 7160	1	19	Ball bearing (clutch side)	↑	S. 7125	1	29		D. C. roller bearing	↑	S. 4515	2
11	Bolt, short	↓	S. 8420	5	20	Packing	↓	110711	1	30	Stud	↓				

T. I/1

Fig. No.	PART NAME	Valid for	Spare parts	Quantity	Fig. No.	PART NAME	Valid for	Spare parts	Quantity	Fig. No.	PART NAME	Valid for	Spare parts	Quantity
31	Roller cage	↑ All ↓	<b>93233</b>	1	34	<b>Piston wrist pin assy. 3rd o/s.</b>	V9A1	<b>112121</b> f)	1	36	Bolt, long	↑ All ↓	<b>S. 8419</b>	1
32	Circlip for wrist pin		<b>S. 6615</b>	2	34	<b>Piston wrist pin assy. 3rd o/s.</b>	VMA2	<b>91358</b> f)	1	37	Cylinder gasket		<b>110710</b>	1
33	Wrist pin, normal	V9A1	<b>111769</b>	1	35	Piston ring normal	V9A1	<b>78338</b>	2	38	<b>Cylinder - piston wrist pin, assy.</b>	V9A1	<b>152196</b> g)	1
33	Wrist pin, normal	VMA2	<b>111307</b>	1	35	Piston ring normal	VMA2	<b>110651</b>	2	38	<b>Cylinder - piston wrist pin, assy.</b>	VMA2	<b>151981</b> g)	1
34	<b>Piston wrist pin assy. normal</b>	V9A1	<b>111771</b> f)	1	35	Piston ring normal	VMA2	<b>110651</b>	2	39	Buffer sec. cables	All	<b>101738</b>	1
34	<b>Piston wrist pin assy. normal</b>	VMA2	<b>111308</b> f)	1	35	Piston ring 1st o/s.	V9A1	<b>97993</b>	2	40	<b>Engine, assy.</b>	V9A1	<b>145032</b> h)	1
34	<b>Piston wrist pin assy. 1st o/s.</b>	V9A1	<b>112119</b> f)	1	35	Piston ring 1st o/s.	VMA2	<b>91368</b>	2	40	<b>Engine, assy.</b>	VMA2	<b>145031</b> h)	1
34	<b>Piston wrist pin assy. 1st o/s.</b>	VMA2	<b>91356</b> f)	1	35	Piston ring 2nd o/s.	V9A1	<b>97994</b>	2	41	Cylinder head sec. bolt	V9A1	<b>S. 15559</b>	4
34	<b>Piston wrist pin assy. 2nd o/s.</b>	V9A1	<b>112120</b> f)	1	35	Piston ring 2nd o/s.	VMA2	<b>91369</b>	2	42	Stud sec. exhaust pipe	All	<b>S. 3918</b>	2
34	<b>Piston wrist pin assy. 2nd o/s.</b>	VMA2	<b>91357</b> f)	1	35	Piston ring 3rd o/s.	V9A1	<b>97995</b>	2	43	Cylinder head	V9A1	<b>112092</b>	1
					35	Piston ring 3rd o/s.	VMA2	<b>91370</b>	2					

Fig. No.	PART NAME	Valid for	Spare parts	Quantity	Fig. No.	PART NAME	Valid for	Spare parts	Quantity	Fig. No.	PART NAME	Valid for	Spare parts	Quantity
43	Cylinder head	VMA2	112392	1										
44	Sparkling - plug washer	↑	318	1										
45	Sparkling - plug	All	98753	1										
46	Brake jaw support Securing stud	↓	S. 456	3										
47	Cooling hood	V9A1	91500	1										
47	Cooling hood	VMA2	150739	1										
48	Cooling hood sec. screw	↑	S. 15545	1										
49	Screw sec. cables	All	S. 14744	2										
50	Spring washer	↓	78307	2										

- a) With parts fig. No.: 31 - 21 - T. I/1.
- b) With parts fig. No.: 1 - 2 - 3 - 4 - 7 - 11 - 14 - 20 - 23 - 30 - 36 - T. I/1; 21 - T. III/1; 3 - 4 - 11 - T. X.
- c) With parts fig. No.: 20 - 37 - T. I/1; 3 - 26 - 33 - T. II/1; 13 - 17 - 19 - 32 - T. III/1; 3 - 13 - 25 - 34 - 52 - T. VI/1.
- d) With parts fig. No.: 20 - 37 - T. I/1; 3 - 26 - 33 - T. II/1; 13 - 17 - 19 - 32 - T. III/1; 3 - 13 - 34 - 52 - T. VI/1.
- e) With part fig. No.: 22 - T. I/1.
- f) With parts fig. No.: 32 - 33 - 35 - T. I/1.
- g) With parts fig. No.: 34 - 35 - 42.
- h) With part fig. No.: T. I/1 ÷ VI/1.

T. II

CRANKSHAFT - CLUTCH: MOD. VBC1 - VLB1 - VSE1

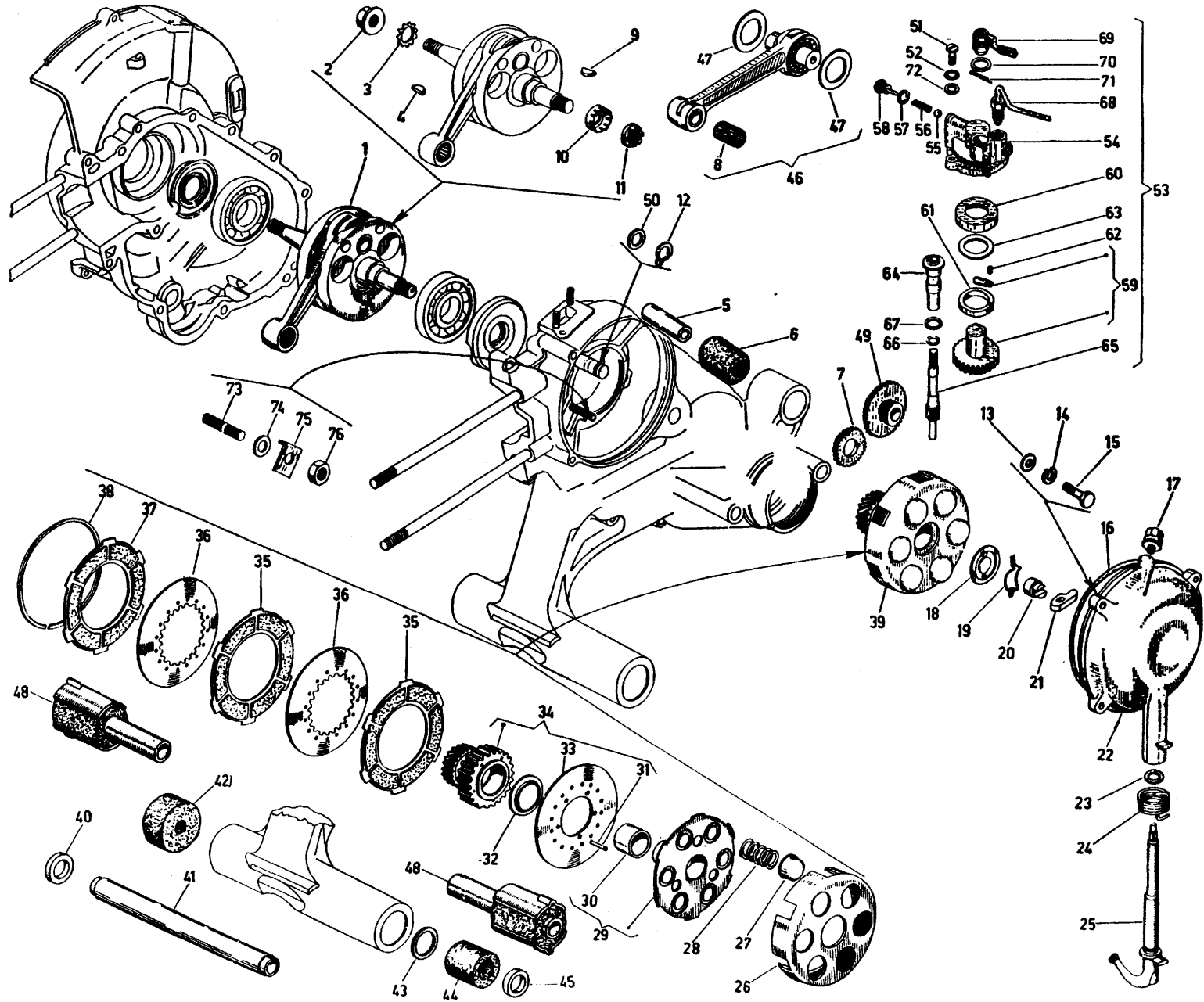


Fig. No.	PART NAME	Valid for	Spare parts	Quantity	Fig. No.	PART NAME	Valid for	Spare parts	Quantity	Fig. No.	PART NAME	Valid for	Spare parts	Quantity
1	<b>Crankshaft, assy.</b>	VBC1 - VLB1	<b>131897</b> a)	1	9	Key	↑	<b>97</b>	1	23	Packing	↑	<b>S. 6708</b>	1
1	<b>Crankshaft, assy.</b>	VSE1	<b>131057</b> a)	1	10	Ring	↑	<b>22313</b>	1	24	Spring	All	<b>46740</b>	1
2	Nut for sec. flywheel magneto	VBC1 - VLB1	<b>S. 1544</b>	1	11	Ring nut	↑	<b>20375</b>	1	25	Clutch actuating arm	↓	<b>97984</b>	1
2	Nut for sec. flywheel magneto	VSE1	<b>77379</b>	1	12	Circlip	↑	<b>S. 6408</b>	1	26	Clutch case	VBC1 - VLB1	<b>59369</b>	1
3	Lock washer	VBC1 - VLB1	<b>686</b>	1	13	Plain washer	All	<b>S. 3056</b>	3	26	Clutch case	VSE1	<b>121201</b>	1
3	Lock washer	VSE1	<b>93955</b>	1	14	Spring washer	↑	<b>S. 16406</b>	3	27	Spring cup	↑	<b>21868</b>	6
4	Flywheel magneto key	VBC1 - VLB1	<b>267</b>	1	15	Bolt	↓	<b>S. 30050</b>	3	28	Spring	↓	<b>22821</b>	6
4	Flywheel magneto key	VSE1	<b>S. 103</b>	1	16	Ring seal	↓	<b>17781</b>	1	29	<b>Clutch back plate</b>	VBC1 - VLB1	<b>113067</b> b)	1
5	Bush for damper	↑	<b>94727</b>	1	17	Breather	↓	<b>19301</b>	1	29	<b>Clutch back plate</b>	VSE1	<b>121203</b> b)	1
6	Buffer for damper	All	<b>40316</b>	1	18	Pressure plate	VBC1 - VLB1	<b>16821</b>	1	30	Bush	↑	<b>2/59365</b>	1
7	Gear for mixer	↓	<b>113744</b>	1	18	Pressure plate	VSE1	<b>25026</b>	1	31	Rivet	All	<b>S. 5790</b>	8
8	Cage	VBC1 - VLB1	<b>93233</b>	1	19	Circlip	↑	<b>14457</b>	1	32	Shoulder washer	↓	<b>59109</b>	1
8	Cage	VSE1	<b>151805</b>	1	20	Actuating pad	All	<b>2/89858</b>	1	33	Clutch drive gear plate	VBC1 - VLB1	<b>150104</b>	1
					21	Actuating bell crank	↓	<b>83806</b>	1	33	Clutch drive gear plate	VSE1	<b>150082</b>	1
					22	Clutch cover	VBC1 - VLB1	<b>50100</b>	1	34	<b>Clutch drive gear</b>	VBC1 - VLB1	<b>113069</b> c)	1
					22	Clutch cover	VSE1	<b>113995</b>	1					

T. II

Fig. No.	PART NAME	Valid for	Spare parts	Quantity	Fig. No.	PART NAME	Valid for	Spare parts	Quantity	Fig. No.	PART NAME	Valid for	Spare parts	Quantity
34	<b>Clutch drive gear</b>	VSE1	<b>130823</b> e)	1	45	Spacer	VBC1 - VLB1	<b>48988</b>	1	57	Packing	↑ All ↓	<b>113312</b>	1
35	Inner drive plate	VBC1 - VLB1	<b>94743</b>	2	46	<b>Con - rod crank pin, assy.</b>	VBC1 - VLB1	<b>137769</b> a)	1	58	Screw		<b>113311</b>	1
35	Inner drive plate	VSE1	<b>59388</b>	2	46	<b>Con - rod crank pin, assy.</b>	VSE1	<b>132053</b> f)	1	59	<b>Distributor with piston</b>	VBC1 - VLB1	<b>121740</b> g)	1
36	Driven plate	VBC1 - VLB1	<b>94425</b>	2	47	Shoulder washer	All	<b>58652</b>	2	59	<b>Distributor with piston</b>	VSE1	<b>123530</b>	1
36	Driven plate	VSE1	<b>93745</b>	2	48	Buffer	VSE1	<b>93907</b>	2	60	Cam ring guide	↑        All   ↓	<b>113017</b>	1
37	Outer drive plate	VBC1 - VLB1	<b>94780</b>	1	49	Tooth wheel	↑	<b>113747</b>	1	61	Cam ring		<b>113016</b>	1
37	Outer drive plate	VSE1	<b>50721</b>	1	50	Washer		All	<b>58844</b>	1	62		Pin	<b>58859</b>
38	Circlip	VBC1 - VLB1	<b>32005</b>	1	51	Screw	↓	<b>S. 8339</b>	3	63	Shoulder washer		<b>120255</b>	1
38	Circlip	VSE1	<b>38477</b>	1	52	Spring washer		VBC1 - VLB1	<b>S. 16404</b>	3	64		Bush	<b>113063</b>
39	<b>Clutch, assy.</b>	VBC1 - VLB1	<b>113070</b> d)	1	53	<b>Mixer, unit</b>	VSE1	<b>113731</b> f)	1	65	Sprocket		<b>130559</b>	1
39	<b>Clutch, assy.</b>	VSE1	<b>131223</b> d)	1	53	<b>Mixer, unit</b>	VBC1 - VLB1	<b>113876</b> f)	1	66	Washer		<b>58849</b>	1
40	Spacer	↑	<b>47945</b>	1	54	Metering piece	↑	<b>113062</b> g)	1	67	Packing		<b>S. 6714</b>	1
41	Inner tube		VBC1 - VLB1	<b>47944</b>	1	55		Ball	All	<b>113288</b>	1		68	Oil pipe
42	Buffer, engine side	↓	<b>59589</b>	1	56	Spring	↓	<b>113291</b>	1	69	Cam ring control lever	<b>113072</b>	1	
43	Washer		VSE1	<b>59590</b>	1									
44	Buffer, wheel side		<b>59588</b>	1										



Fig. No.	PART NAME	Valid for	Spare parts	Quantity	Fig. No.	PART NAME	Valid for	Spare parts	Quantity	Fig. No.	PART NAME	Valid for	Spare parts	Quantity
70	Packing	↑ All ↓	<b>S. 6710</b>	1										
71	Split pin		<b>S. 3208</b>	1										
72	Plain washer		<b>S. 3054</b>	3										
73	Stud		<b>S. 561</b>	2										
74	Plain washer		VBC1 - VLB1	<b>113014</b>	2									
74	Plain washer	VSE1	<b>58846</b>	2										
75	Lock plate	VBC1 - VLB1	<b>113013</b>	2										
75	Lock plate	VSE1	<b>58845</b>	2										
76	Nut	All	<b>S. 20107</b>	2										

- a) With part fig. No.: 46.
- b) With part fig. No.: 30.
- c) With parts fig. No.: 31 - 33.
- d) With parts fig. No.: 26 - 27 - 28 - 29 - 32 - 34 - 35 - 36 - 37 - 38.
- e) With parts fig. No.: 8 - 47.
- f) With parts fig. No.: 54 - 55 - 56 - 57 - 58 - 59 - 60 - 61 - 62 - 63 - 69 - 70 - 71.
- g) The distributor unit 123530 and the authomatic mixer 113062 are divided into 3 categories (they are marked by means of notches on the outer surface of the mixer and on the innerside of the distributor unit): When assembling mount unities of the same category.

T. II/1 CLUTCH - STARTER LEVER: MOD. V9A1 - VMA2

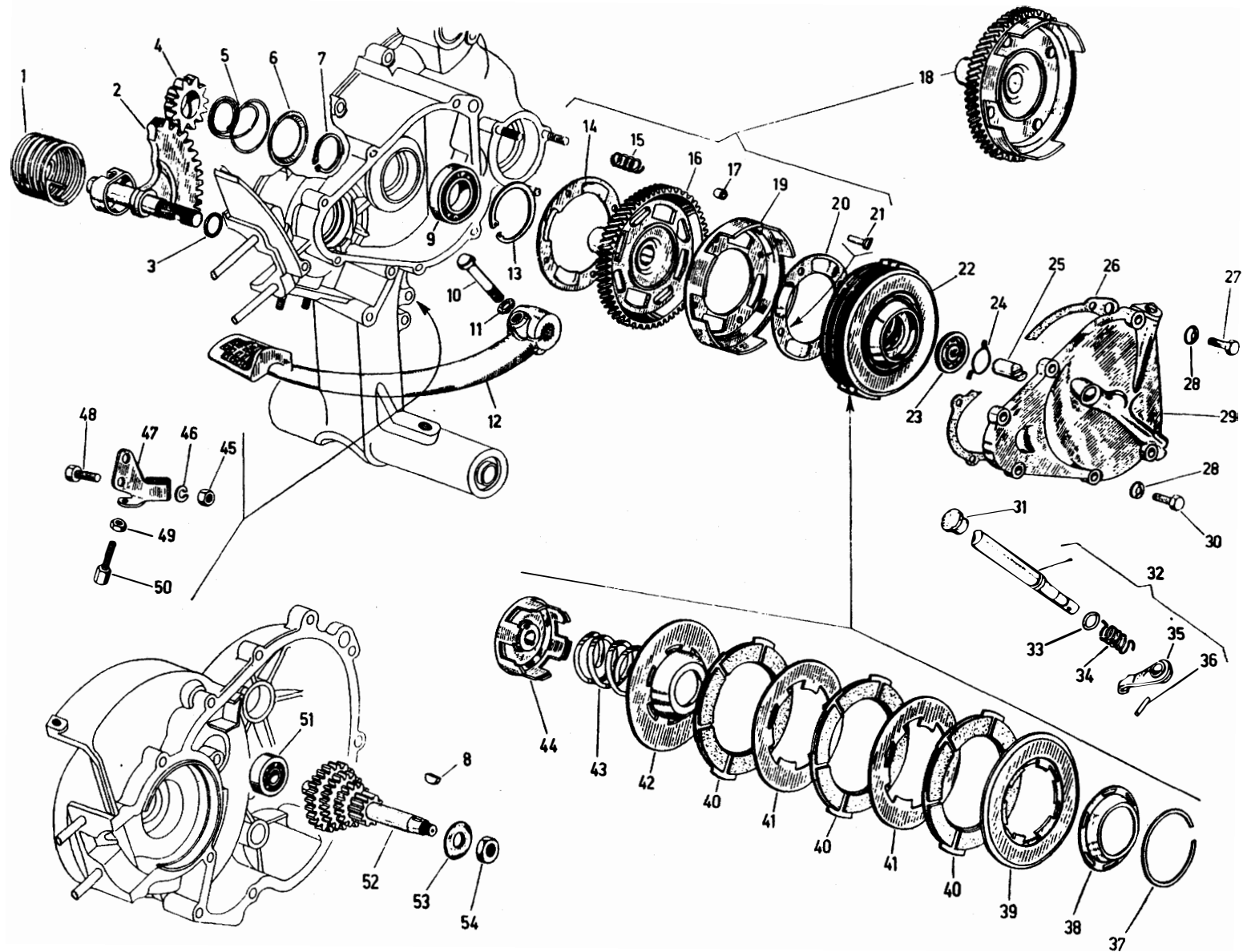


Fig. No.	PART NAME	Valid for	Spare parts	Quantity	Fig. No.	PART NAME	Valid for	Spare parts	Quantity	Fig. No.	PART NAME	Valid for	Spare parts	Quantity
1	Spring for starter lever	↑ All ↓	78478	1	19	Clutch case	↑ All ↓	110669	1	38	Oil cup	↑ All ↓	150508	1
2	Starter sector		78976	1	20	Inner drive plate		110668	1	39	Outer plate		79476	1
3	Packing		S. 6721	1	21	Rivet		S. 5772	1	40	Drive plate		79399	3
4	Starter gear		78473	1	22	Clutch, assy.		150514	1	41	Driven plate		79478	2
5	Spring		151493	1	23	Pressure plate		16821	1	42	Inner plate		79469	1
6	Lock washer		151743	1	24	Circlip		14457	1	43	Clutch spring		112390	1
7	Circlip		S. 6425	1	25	Actuating pad		2/78453	1	44	Inner clutch case		2/79497	1
8	Clutch sec. key		S. 11753	1	26	Packing		79002	1	45	Nut		S. 20107	1
9	Ball bearing (clutch side)		S. 7130	1	27	Clutch cover sec. bolt		S. 30050	2	46	Spring washer		S. 16407	1
10	Starter lever sec. bolt		S. 906	1	28	Spring washer		S. 7631	6	47	Cable bracket		79001	1
11	Lock washer		S. 12563	1	29	Clutch cover		79083	1	48	Bolt		S. 15507	1
12	Starter lever		79077	1	30	Bolt		S. 31089	4	49	Clutch adj. nut		S. 20105	1
13	Circlip		S. 6647	4	31	Plug for clutch lever arm		78586	1	50	Clutch adj. screw		90527	1
14	Outer drive plate		78495	1	32	Clutch control lever		78959	1	51	Ball bearing (fly-wheel side)		S. 7035	1
15	Spring for gear		78484	4	33	Packing		S. 6706	1	52	Gear cluster		V9A1 112022	1
16	Helicoidal gear	V9A1 99405	1	34	Spring for clutch lever	78452	1	52	Gear cluster	VMA2 112377	1			
16	Helicoidal gear	VMA2 110921	1	35	Clutch control lever	78450	1	53	Lock washer	↑ All ↓ S. 1822	1			
17	Spacer	All 78594	4	36	Pin	S. 13021	1	54	Clutch sec. nut	S. 1508	1			
18	Spring gear, assy.	V9A1 99406	1	37	Circlip	79474	1							
18	Spring gear, assy.	VMA2 110670	1											

a) With parts fig. No.: 14 - 15 - 16 - 17 - 19 - 20 - 21.

b) With parts fig. No.: 37 - 38 - 39 - 40 - 41 - 42 - 43 - 44.

c) With parts fig. No.: 35 - 36.

T. III

GEAR GROUP - REAR WHEEL HUB : MOD. VBC1 - VLB1 - VSE1

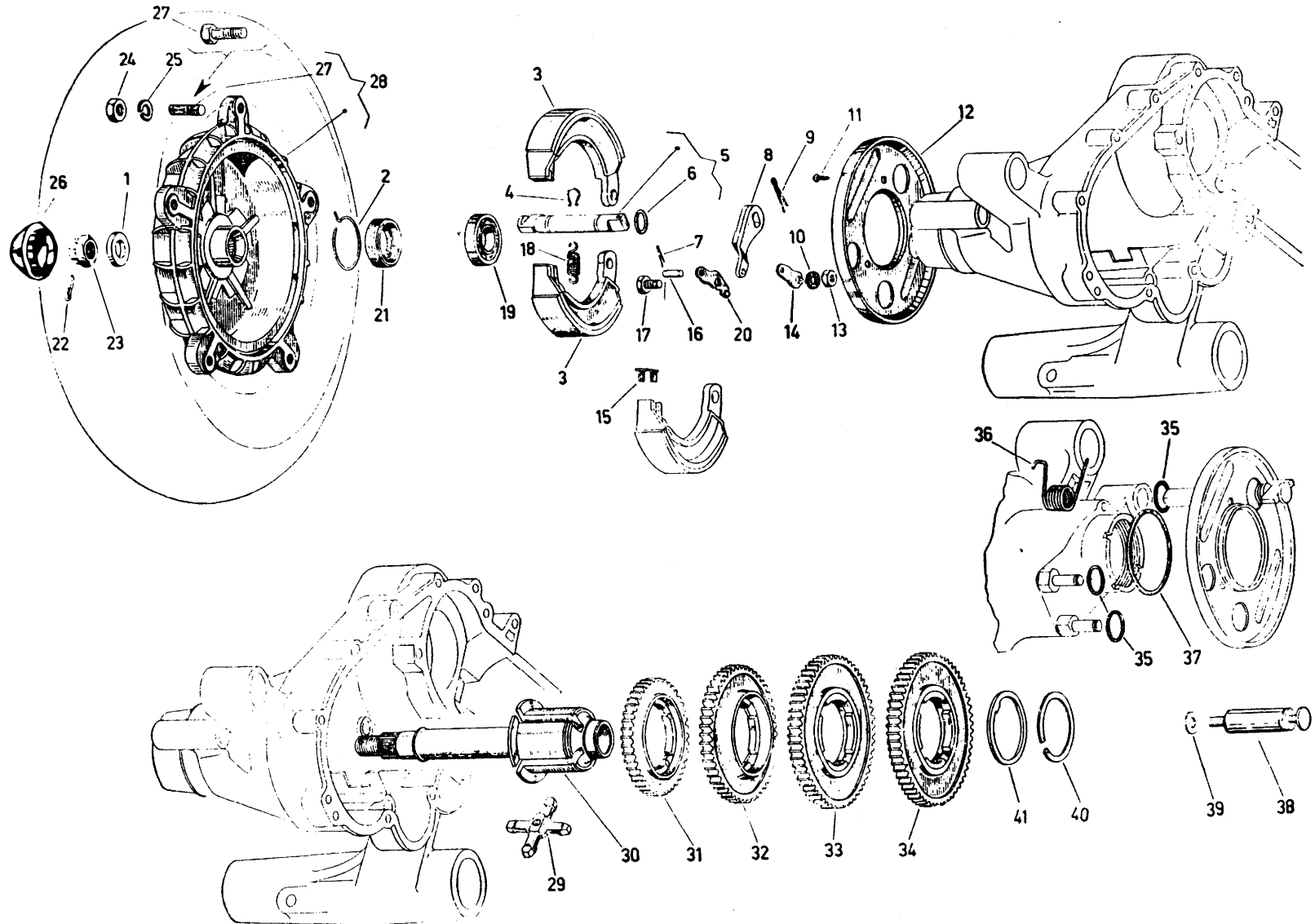


Fig. No.	PART NAME	Valid for	Spare parts	Quantity	Fig. No.	PART NAME	Valid for	Spare parts	Quantity	Fig. No.	PART NAME	Valid for	Spare parts	Quantity
1	Washer	VBC1	<b>S. 13879</b>	1	17	Bolt sec. brake cable	↑	<b>S. 15510</b>	1	33	2nd gear	VBC1	<b>110508</b>	1
1	Washer	VLB1 - VSE1	<b>87714</b>	1	18	Return spring	↑	<b>78522</b>	1	33	2nd gear	VLB1	<b>78822</b>	1
2	Spring clip	All	<b>S. 6647</b>	1	19	Ball bearing	All	<b>90025</b>	1	33	2nd gear	VSE1	<b>120943</b>	1
3	<b>Brake jaw</b>	VBC1	<b>110412</b>	2	20	Anchor plate	↓	<b>94779</b>	1	34	Bottom gear	VBC1	<b>51124</b>	1
3	<b>Brake jaw</b>	VLB1 - VSE1	<b>72339</b>	2	21	Oil seal	VBC1	<b>S. 8714</b>	1	34	Bottom gear	VLB1	<b>78821</b>	1
4	Spring clip	↑	<b>61</b>	2	21	Oil seal	VLB1 - VSE1	<b>130536</b>	1	34	Bottom gear	VSE1	<b>120942</b>	1
5	<b>Brake operat. shaft</b>	All	<b>97181</b>	1	22	Split pin	↑	<b>S. 12787</b>	1	35	Packing	↑	<b>78164</b>	3
6	Oil seal	↓	<b>S. 6714</b>	2	23	Castle nut sec. drum	↓	<b>S. 2314</b>	1	36	Spring	All	<b>78521</b>	1
7	Split pin	↓	<b>S. 12761</b>	2	24	Wheel sec. nut	VLB1 - VSE1	<b>S. 20108</b>	5	37	Packing	↓	<b>78163</b>	1
8	Actuating plate	VBC1	<b>42043</b>	1	25	Spring washer	All	<b>S. 16408</b>	5	38	Selector spindle	↑	<b>130940</b>	1
8	Actuating plate	VLB1 - VSE1	<b>131943</b>	1	26	Drum cap	↑	<b>92517</b>	1	39	Lock washer	↑	<b>130941</b>	1
9	Split pin	↑	<b>S. 3208</b>	1	27	Wheel sec. bolt	VLB1 - VSE1	<b>85914</b>	1	40	Spring clip	↓	<b>18447</b>	1
10	Spring washer	All	<b>S. 12539</b>	1	27	Wheel sec. bolt	↑	<b>S. 15539</b>	4	41	Shoulder washer normal	↑	<b>18558</b>	1
11	Screw for sec. dust cover	↓	<b>121668</b>	3	28	<b>Brake drum</b>	VBC1	<b>110375</b>	1	41	Shoulder washer 1st o/s.	All	<b>20321</b>	1
12	Dust cover	VBC1	<b>110379</b>	1	28	<b>Brake drum</b>	↓	<b>78480</b>	1	41	Shoulder washer 2nd o/s.	↓	<b>20322</b>	1
12	Dust cover	VLB1 - VSE1	<b>78482</b>	1	29	Selector spider	VLB1 - VSE1	<b>130939</b>	1	41	Shoulder washer 3rd o/s.	↓	<b>20323</b>	1
13	Cable sec. nut	↑	<b>S. 21209</b>	1	30	Drive shaft	↑	<b>112858</b>	1	41	Shoulder washer 4th o/s.	↓	<b>20324</b>	1
14	Anchor plate	All	<b>42047</b>	1	31	4th gear	All	<b>110510</b>	1					
15	Shoe protect. plate	↓	<b>24410</b>	2	31	4th gear	VBC1	<b>111604</b>	1					
16	Anchor plate	↓	<b>90306</b>	1	31	4th gear	VLB1	<b>120945</b>	1					
					32	3rd gear	VBC1	<b>110509</b>	1					
					32	3rd gear	VLB1	<b>111615</b>	1					
					32	3rd gear	VSE1	<b>120944</b>	1					

a) With part fig. No.: 15.  
 b) With part fig. No.: 6.  
 c) With part fig. No.: 27.

T. III/1 REAR WHEEL HUB - GEAR GROUP - L. T. SOCKET: MOD. V9A1 - VMA2

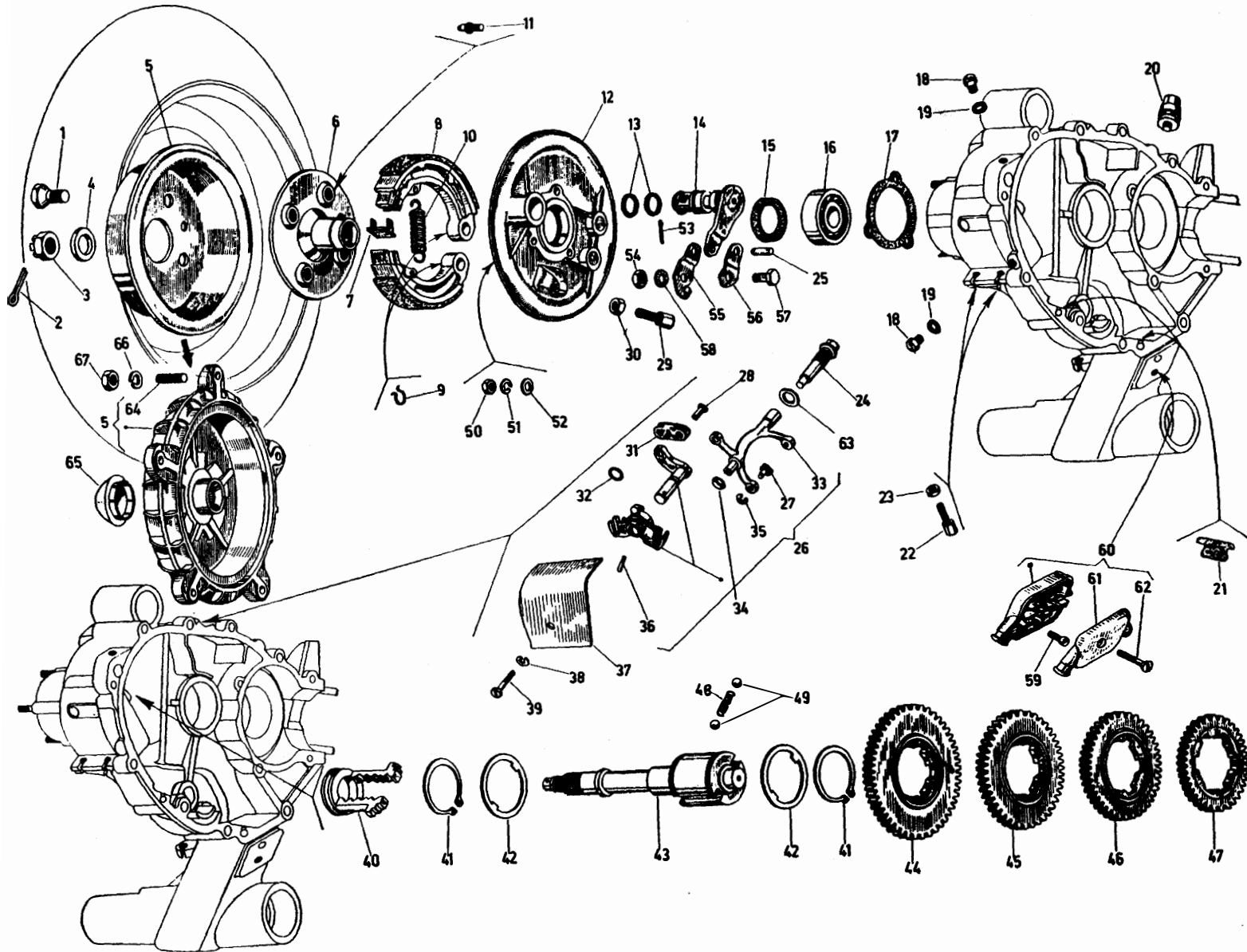


Fig. No.	PART NAME	Valid for	Spare parts	Quantity	Fig. No.	PART NAME	Valid for	Spare parts	Quantity	Fig. No.	PART NAME	Valid for	Spare parts	Quantity
1	Wheel securing bolt	V9A1	<b>70156</b>	4	10	Return spring	All	<b>78522</b>	1	21	Buffer	↑	<b>78578</b>	2
2	Split pin	↑	<b>S. 12787</b>	1	11	Dowel	V9A1	<b>70542</b>	1	22	Gear change setting screw		<b>90527</b>	2
3	Castle nut		All	<b>S. 2314</b>	1	12	Brake jaw supp. disc	↑	<b>111586</b>	1	23		Gear change setting nut	<b>S. 20105</b>
4	Plain washer	↓	<b>150051</b>	1	13	Packing	<b>97497</b>		2	24	Stirrup securing bolt		<b>98787</b>	1
5	Rear brake drum		V9A1	<b>79766</b>	1	14	Brake operat. lever		<b>78366</b>	1	25	Anchor plate pivot pin	All	<b>90306</b>
5	Rear brake drum	VMA2	<b>100484</b> a)	1	15	Seal	<b>3/46699</b>		1	26	Stirrup for gear change	<b>121356</b> b)		1
6	Wheel hub	V9A1	<b>78941</b>	1	16	Ball bearing, fly-wheel side	All	<b>90025</b>	1	27	Slide	<b>78945</b>		2
7	Brake jaw plate	All	<b>24410</b>	2	17	Packing		<b>90899</b>	1	28	Rivet	<b>S. 5771</b>		2
8	Rear brake jaw	V9A1	<b>90582</b>	2	18	Oil plug		<b>2990</b>	2	29	Rear brake setting screw	<b>23823</b>	1	
8	Rear brake jaw	VMA2	<b>100492</b>	2	19	Packing		<b>397</b>	2					
9	Spring clip	All	<b>61</b>	2	20	Breather		<b>19301</b>	1					

T. III/1

Fig. No.	PART NAME	Valid for	Spare parts	Quantity	Fig. No.	PART NAME	Valid for	Spare parts	Quantity	Fig. No.	PART NAME	Valid for	Spare parts	Quantity
30	Rear brake sett. nut	↑ All ↓	<b>S. 20207</b>	1	40	Gear selector	VMA2	<b>111589</b>	1	44	Bottom gear	VMA2	<b>112378</b>	1
31	Union piece for levers		<b>78526</b>	1	41	Circlip	↑ All ↓	<b>S. 5901</b>	2	45	2nd gear	V9A1	<b>112019</b>	1
32	Packing		<b>S. 6706</b>	1	42	Shoulder washer, normal		<b>111996</b>	2	45	2nd gear	VMA2	<b>112379</b>	1
33	Stirrup		<b>114125</b>	1	42	Shoulder washer 1st o/s.		<b>112008</b>	2	46	3rd gear	V9A1	<b>112020</b>	1
34	Spring washer		<b>78597</b>	1	42	Shoulder washer 2nd o/s.		<b>112009</b>	2	46	3rd gear	↑ VMA2 ↓	<b>112381</b>	1
35	Circlip		<b>S. 5962</b>	2	42	Shoulder washer 3rd o/s.		<b>112010</b>	2	47	4th gear		<b>112380</b>	1
36	Pin		<b>S. 13010</b>	1	42	Shoulder washer 4th o/s.		<b>112011</b>	2	48	Spring for balls	↑ All ↓	<b>150110</b>	1
37	Cover of the act. lever		<b>78920</b>	1	43	Drive shaft		<b>111596</b>	1	49	Ball		<b>S. 6379</b>	2
38	Spring washer		<b>S. 16405</b>	1	44	Bottom gear		<b>112018</b>	1	50	Nut		<b>S. 20108</b>	3
39	Cover sec. screw		<b>99462</b>	1						51	Spring washer	<b>S. 16408</b>	3	
40	Gear selector	V9A1	<b>112007</b>	1				V9A1			52	Plain washer	<b>S. 3058</b>	3



Fig. No.	PART NAME	Valid for	Spare parts	Quantity	Fig. No.	PART NAME	Valid for	Spare parts	Quantity	Fig. No.	PART NAME	Valid for	Spare parts	Quantity
53	Split pin	All	<b>S. 12761</b>	1	64	Stud for drum brake	VMA2	<b>85914</b>	5					
54	Nut		<b>S. 21209</b>	1	65	Plug for drum brake		<b>92517</b>	1					
55	Anchor plate		<b>94779</b>	1	66	Spring washer		<b>S. 16408</b>	5					
56	Anchor plate		<b>42047</b>	1	67	Wheel sec. nut		<b>S. 20108</b>	5					
57	Bolt		<b>S. 15510</b>	1										
58	Spring washer		<b>S. 12539</b>	1										
59	L. T. socket screw		<b>S. 14402</b>	5										
60	<b>L. T. socket assy.</b>		<b>70744</b> c)	1										
61	L. T. socket cover		<b>78598</b>	1										
62	L. T. socket sec. screw		<b>S. 8230</b>	1										
63	Washer for stirrup on gear change		<b>98788</b>	1										

a) With part fig. No.: 64.

b) With parts fig. No.: 27 - 28 - 31 - 32 - 33 - 35 - 36.

c) With parts fig. No.: 59 - 61 - 62.

**T. IV**

**SPRING GEAR - STARTER LEVER : MOD. VBC1 - VLB1 - VSE1**

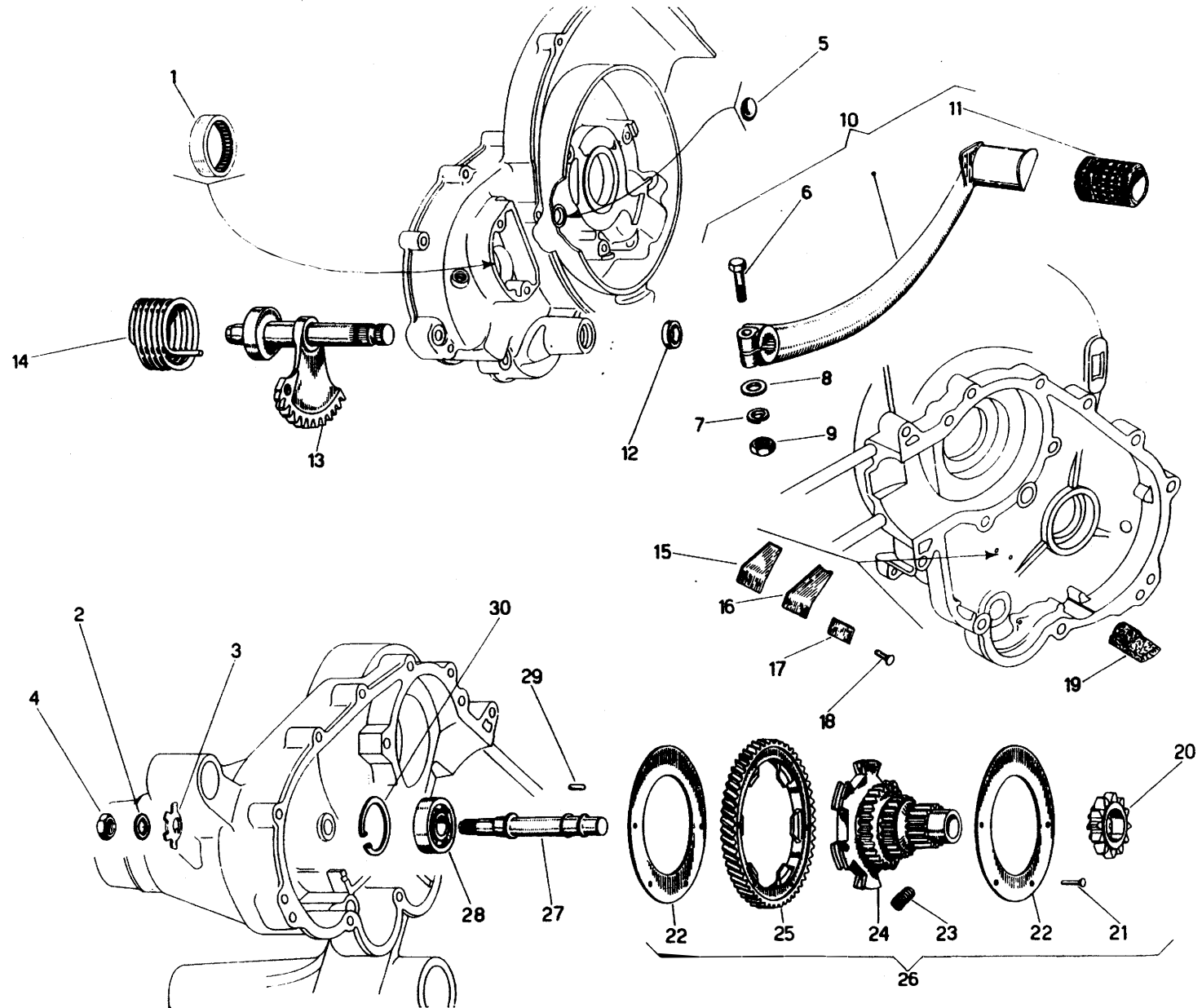


Fig. No.	PART NAME	Valid for	Spare parts	Quantity	Fig. No.	PART NAME	Valid for	Spare parts	Quantity	Fig. No.	PART NAME	Valid for	Spare parts	Quantity
1	Bearing cage	All	<b>106956</b>	1	15	Spring	↑	<b>48000</b>	1	26	Spring gear	VBC1	<b>110511</b> b)	1
2	Plain washer	VBC1 - VLB1	<b>S. 13940</b>	1	16	Spring	↑	<b>54071</b>	1	26	Spring gear	VLB1	<b>97922</b> b)	1
2	Plain washer	VSE1	<b>S. 16612</b>	1	17	Plate	All	<b>48002</b>	1	26	Spring gear	VSE1	<b>131587</b> b)	1
3	Lock washer	VBC1 - VLB1	<b>58560</b>	1	18	Rivet	↓	<b>S. 10790</b>	2	27	Pivot	VBC1	<b>110512</b>	1
3	Lock washer	VSE1	<b>S. 16305</b>	1	19	Buffer	↓	<b>46742</b>	2	27	Pivot	VLB1	<b>94419</b>	1
4	Pivot sec. nut	VBC1 - VLB1	<b>S. 20109</b>	1	20	Starter gear	VBC1	<del>58680</del> <b>152447</b>	1	27	Pivot	VSE1	<b>111715</b>	1
4	Pivot sec. nut	VSE1	<b>S. 15231</b>	1	20	Starter gear	VLB1	<b>89229</b>	1	28	Ball bearing	VBC1	<b>30209</b>	1
5	Cap	↑	<b>46631</b>	1	20	Starter gear	VSE1	<b>113526</b>	1	28	Ball bearing	VLB1	<b>97718</b>	1
6	Lever sec. bolt	↑	<b>S. 8507</b>	1	21	Rivet	↑	<b>S. 5765</b>	6	28	Ball bearing	VSE1	<b>112793</b>	1
7	Lock washer	All	<b>S. 16409</b>	1	22	Outer plate	All	<b>77370</b>	1	29	Roller	All	<b>2457</b>	21
8	Plain washer	↓	<b>S. 3060</b>	1	22	Inner plate	↓	<b>77371</b>	1	30	Circlip	VBC1 - VSE1	<b>S. 6642</b>	1
9	Nut	↓	<b>S. 20109</b>	1	23	Spring, outer	↓	<b>78853</b>	6	30	Circlip	VLB1	<b>5141</b>	1
10	Kickstarter lever	VBC1 - VLB1	<b>150003</b> a)	1	23	Spring, inner	VSE1	<b>77372</b>	6					
10	Kickstarter lever	VSE1	<b>150006</b> a)	1	24	Gear cluster	VBC1	<b>110507</b>	1					
11	Protective sleeve	↑	<b>49642</b>	1	24	Gear cluster	VLB1	<b>97923</b>	1					
12	Packing	↑	<b>S. 6721</b>	1	24	Gear cluster	VSE1	<b>137334</b>	1					
13	Starter sector	All	<b>140920</b>	1	25	Outer gear rim	VBC1 - VLB1	<b>77351</b>	1					
14	Return spring	↓	<b>47218</b>	1	25	Outer gear rim	VSE1	<b>112720</b>	1					

a) With parts fig. No.: 6 - 7 - 8 - 9 - 11.

b) With parts fig. No.: 21 - 22 - 23 - 24 - 25.

T. V

FLYWHEEL MAGNETO : MOD. VBC1 - VLB1 - VSE1

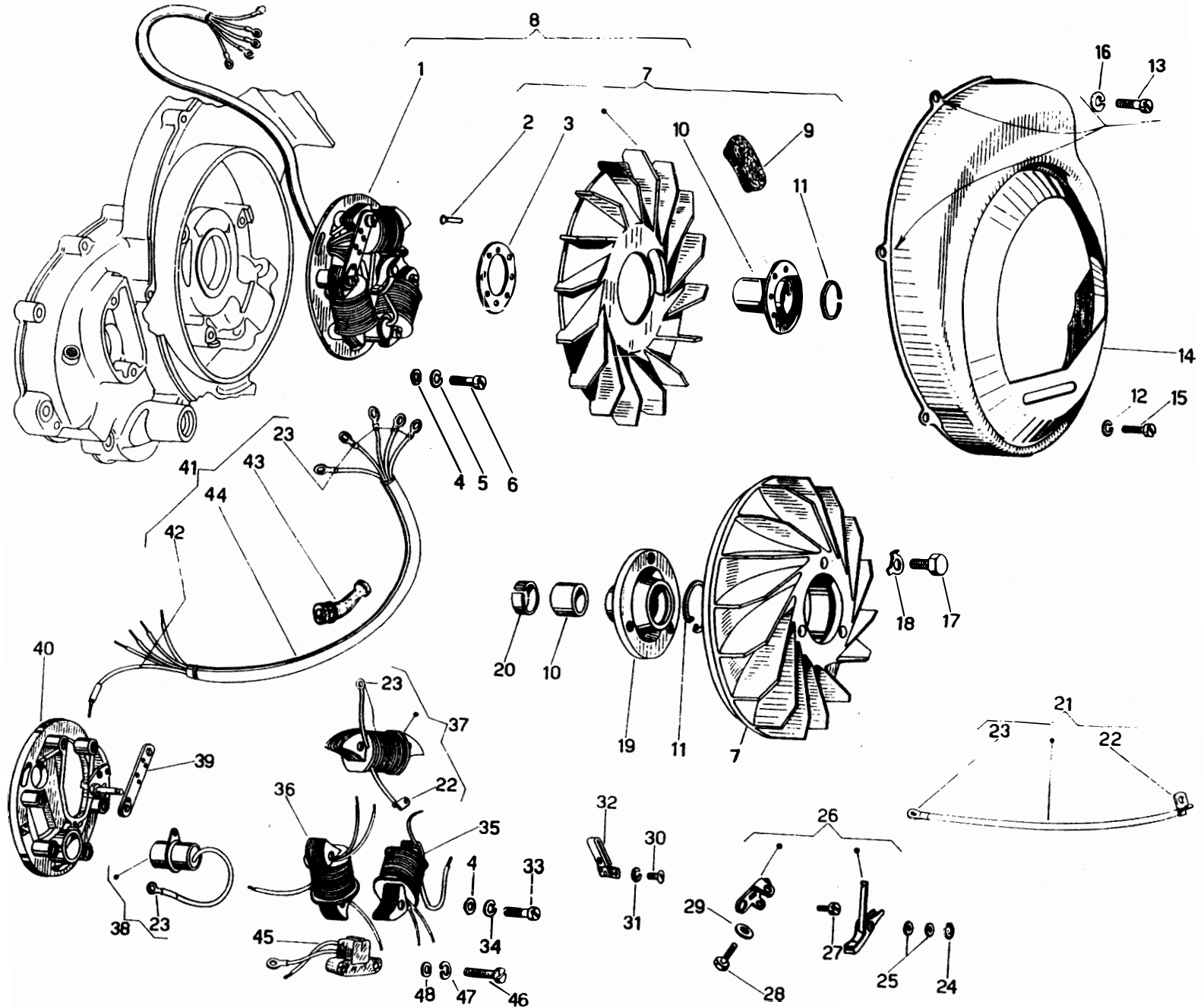


Fig. No.	PART NAME	Valid for	Spare parts	Quantity	Fig. No.	PART NAME	Valid for	Spare parts	Quantity	Fig. No.	PART NAME	Valid for	Spare parts	Quantity
1	<b>Stator assy.</b>	VBC1 - VLB1	<b>144901</b>	1	21	<b>Cable for H. T. coil to hearth</b>	↑ VBC1 - VLB1	<b>97935</b>	1	38	Resistance	VSE1	<b>104074</b>	1
1	<b>Stator assy.</b>	VSE1	<b>145316</b>	1	22	Terminal	↓	<b>662</b>	3	39	Flywheel clamp board	VBC1 - VLB1	<b>144910</b>	1
2	Cam securing rivet	↑	<b>150184</b>	8	23	Terminal	All	<b>14501</b>	12	39	Flywheel clamp board	VSE1	<b>145319</b>	1
3	Washer	VBC1 - VLB1	<b>111545</b>	1	24	Circlip	↑	<b>14080</b>	1	40	Backplate	VSE1	<b>130395</b>	1
4	Plain washer	↑	<b>S. 3055</b>	9	25	Shim washer	↑	<b>622</b>	2-5	40	Backplate	VSE1	<b>140965</b>	1
5	Spring washer	↑	<b>S. 6965</b>	3	26	<b>Contact breaker assy.</b>	↑	<b>140963</b>	1	41	<b>Cable harness</b>	↑ VBC1 - VLB1	<b>144912</b>	1
6	Stator assy. sec. screw	All	<b>S. 10047</b>	3	27	Bracket sec. screw	VBC1 - VLB1	<b>S. 12332</b>	1	41	<b>Cable harness</b>	VSE1	<b>145321</b>	1
7	<b>Rotor with fan</b>	VBC1 - VLB1	<b>144899</b>	1	28	Screw	↓	<b>S. 10051</b>	1	42	Cable	All	<b>85721</b>	*
7	<b>Rotor with fan</b>	VSE1	<b>145314</b>	1	29	Plain washer	↓	<b>S. 12554</b>	2	43	Grommet	VSE1	<b>46766</b>	1
8	<b>Flywheel assy.</b>	VBC1 - VLB1	<b>144898</b>	1	30	Screw sec. felt pad bracket	↓	<b>S. 838</b>	1	44	Insulating sheath	All	<b>87400</b>	*
8	<b>Flywheel assy.</b>	VSE1	<b>145313</b>	1	30	Resistance sec. screw	VSE1	<b>S. 838</b>	1	45	Signal generator	VSE1	<b>127254</b>	1
9	Plug	↑	<b>110586</b>	1	31	Spring washer	All	<b>S. 16403</b>	1	46	Generator sec. screw	↑	<b>S. 963</b>	2
10	Cam	VBC1 - VLB1	<b>111544</b>	1	32	Felt pad bracket	VBC1 - VLB1	<b>72836</b>	1	47	Spring washer	VSE1	<b>S. 16404</b>	2
10	Cam	VSE1	<b>104141</b>	1	33	Coil sec. screw	↑ All	<b>S. 15597</b>	6	48	Plain washer	↓	<b>S. 13952</b>	2
11	Circlip	VBC1 - VLB1	<b>S. 5981</b>	1	34	Spring washer	↓	<b>S. 16405</b>	6					
11	Circlip	VSE1	<b>S. 6634</b>	1	35	Coil N. 1	VBC1 - VLB1	<b>144902</b>	1					
12	Spring washer	↑	<b>S. 16406</b>	1	35	Coil N. 1	VSE1	<b>145317</b>	1					
13	Cover sec. screw	All	<b>S. 15545</b>	2	36	Coil N. 2	VBC1 - VLB1	<b>144903</b>	1					
14	Fan cover	VBC1 - VLB1	<b>47577</b>	1	36	<del>Coil N. 2</del>	VSE1	<b>145318</b>	1					
14	Fan cover	VSE1	<b>111687</b>	1	37	<b>Ignition coil</b>	VBC1 - VLB1	<b>91491</b>	1					
15	Screw	↑	<b>2856</b>	2	37	Coil feeding electr. contr. box	VSE1	<del>91491</del> <b>10413C</b>	1					
16	Plain washer	All	<b>78307</b>	1	38	<b>Condenser</b>	VBC1 - VLB1	<b>79697</b>	1					
17	Hub sec. bolt	↑	<b>S. 31115</b>	6										
18	Lock washer	↑	<b>S. 1816</b>	6										
19	Hub	VSE1	<b>111237</b>	1										
20	Cam spring	↓	<b>104142</b>	1										

a) With parts fig. No.: 4 - 26 - 27 - 30 - 31 - 32 - 33 - 34 - 35 - 36 - 37 - 38 - 39 - 40 - 41.  
 b) With parts fig. No.: 4 - 30 - 31 - 33 - 34 - 35 - 36 - 39 - 41.  
 c) With parts fig. No.: 2 - 3 - 10.  
 d) With parts fig. No.: 1 - 7.  
 e) With parts fig. No.: 1 - 7 - 17 - 18 - 19.  
 f) With parts fig. No.: 24 - 25.  
 g) With parts fig. No.: 22 - 23.  
 h) With part fig. No.: 23.  
 i) With parts fig. No.: 23 - 42 - 44.  
 \* Request by yards.

T. V/1 FLYWHEEL MAGNETO - COILS : MOD. V9A1 - VMA2

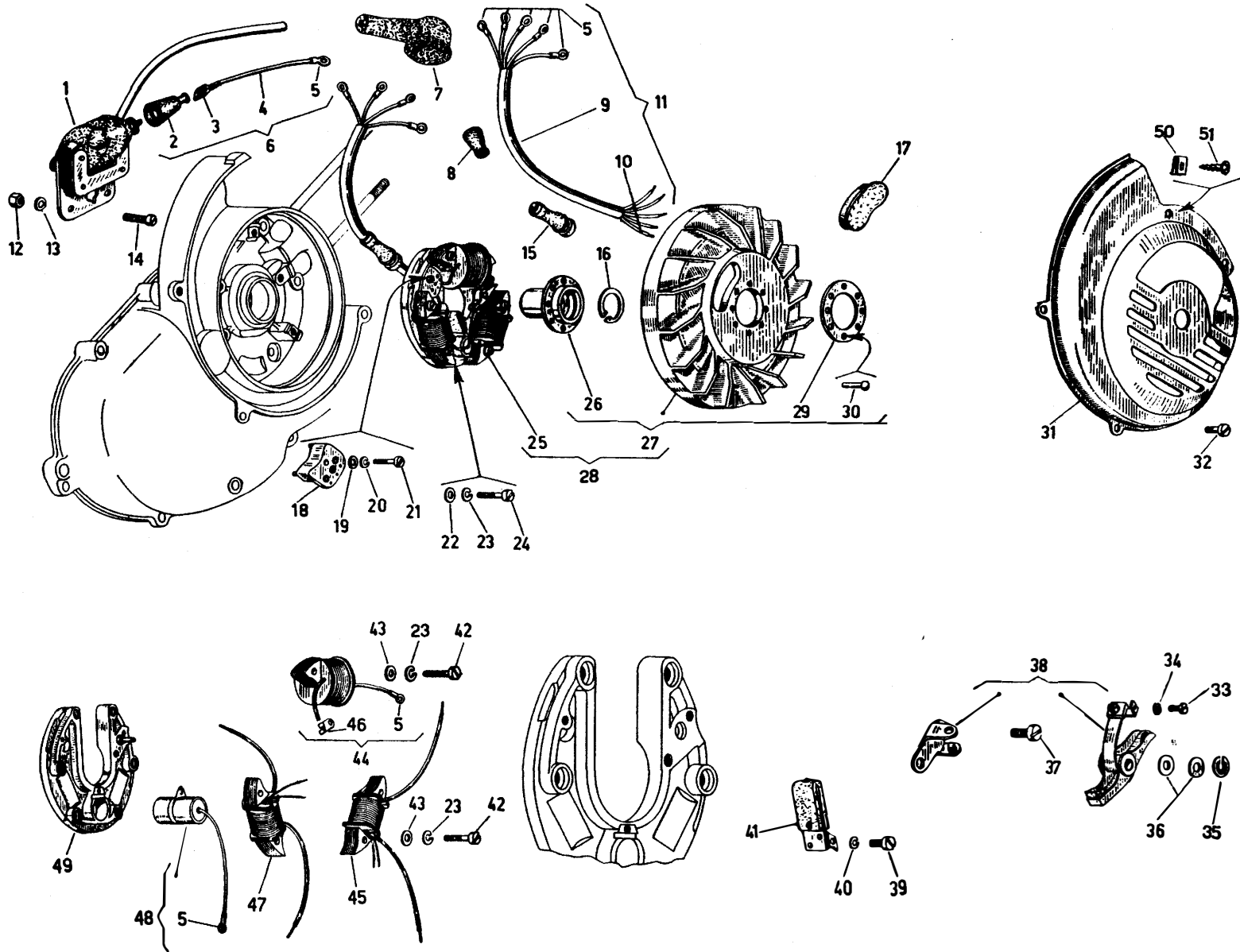


Fig. No.	PART NAME	Valid for	Spare parts	Quantity	Fig. No.	PART NAME	Valid for	Spare parts	Quantity	Fig. No.	PART NAME	Valid for	Spare parts	Quantity
1	Outer H. T. coil	V9A1	<b>150701</b>	1	22	Backplate securing washer	↑	<b>90045</b>	3	39	Screw sec. condenser and bracket	↑	<b>S. 838</b>	1
1	Outer H. T. coil	VMA2	<b>151931</b>	1	23	Spring washer for coils		<b>S. 16405</b>	6	40	Spring washer		<b>S. 16403</b>	1
2	Insulating cap	↑	<b>73943</b>	1	23	Spring washer for coils		<b>S. 6965</b>	3	41	Felt pad bracket		<b>72836</b>	1
3	Contact plug		<b>71482</b>	1	23	Spring washer for coils		<b>S. 10047</b>	3	42	Coils sec. screw		<b>S. 15597</b>	6
4	Insulating tube		<b>87393</b>	*	24	Backplate sec. screw		<b>145036</b>	1	43	Plain washer		<b>S. 3055</b>	6
5	Terminal		<b>14501</b>	8	25	<b>Backplate</b>		<b>111584</b>	1	44	<b>Ignition coil</b>		<b>91491</b>	1
6	<b>L. T. cable, assy.</b>		<b>112071</b>	1	26	Cam		<b>145034</b>	1	45	<b>Coil No. 1</b>	All	<b>144902</b>	1
7	Insulating cap		<b>72843</b>	1	27	<b>Rotor with fan</b>		<b>145033</b>	1	46	Terminal		<b>662</b>	3
8	L. T. socket cap		<b>99204</b>	1	28	<b>Flywheel magneto, assy.</b>		<b>111545</b>	1	47	<b>Coil N. 2</b>		<b>144903</b>	1
9	Insulating tube		<b>87400</b>	*	29	Washer	All	<b>150184</b>	8	48	<b>Condenser</b>		<b>79697</b>	1
10	Electrical wire		<b>85721</b>	*	30	Rivet		<b>111582</b>	1	49	Backplate		<b>141830</b>	1
11	<b>Cables harness</b>		<b>145039</b>	1	31	Cover		<b>S. 15545</b>	4	50	Spring washer		<b>S. 8112</b>	1
12	Nut	All	<b>S. 20105</b>	2	32	Cover sec. screw		<b>S. 10051</b>	1	51	Self tappin screw	↓	<b>S. 8265</b>	1
13	Spring washer		<b>S. 16405</b>	2	33	Screw for contact - breaker clamp		<b>S. 12554</b>	1					
14	Outer H. T. coil sec. screw		<b>S. 10047</b>	2	34	Lock washer		<b>14080</b>	1					
15	Grommet		<b>46766</b>	1	35	Spring clip		<b>622</b>	2 ÷ 3					
16	Circlip		<b>S. 5981</b>	1	36	Shim washer		<b>S. 12332</b>	1					
17	Flywheel plug		<b>110586</b>	1	37	Bracket sec. screw		<b>141838</b>	1					
18	Clamp board		<b>79715</b>	1	38	<b>Contact - breaker, assy.</b>	↓	<b>f)</b>						
19	Plain washer		<b>S. 3054</b>	1										
20	Spring washer		<b>S. 16404</b>	1										
21	Clamp board sec. screw		<b>S. 963</b>	1										

a) Parts fig. No.: 2 - 3 - 4 - 5.  
 b) Parts fig. No.: 5 - 9 - 10.  
 c) Parts fig. No.: 8 - 11 - 15 - 18 - 19 - 20 - 21 - 23 - 35 - 36 - 38 - 39 - 40 - 41 - 42 - 43 - 44 - 45 - 47 - 48 - 49.  
 d) With parts fig. No.: 26 - 29 - 30.  
 e) Parts fig. No.: 25 - 27.  
 f) Parts fig. No.: 33 - 34 - 35 - 36.  
 g) Parts fig. No.: 5 - 46.  
 h) With part fig. No.: 5.  
 \*) Request by yards.

T. VI CARBURETTOR - AIR CLEANER: MOD. VBC1 - VMA2

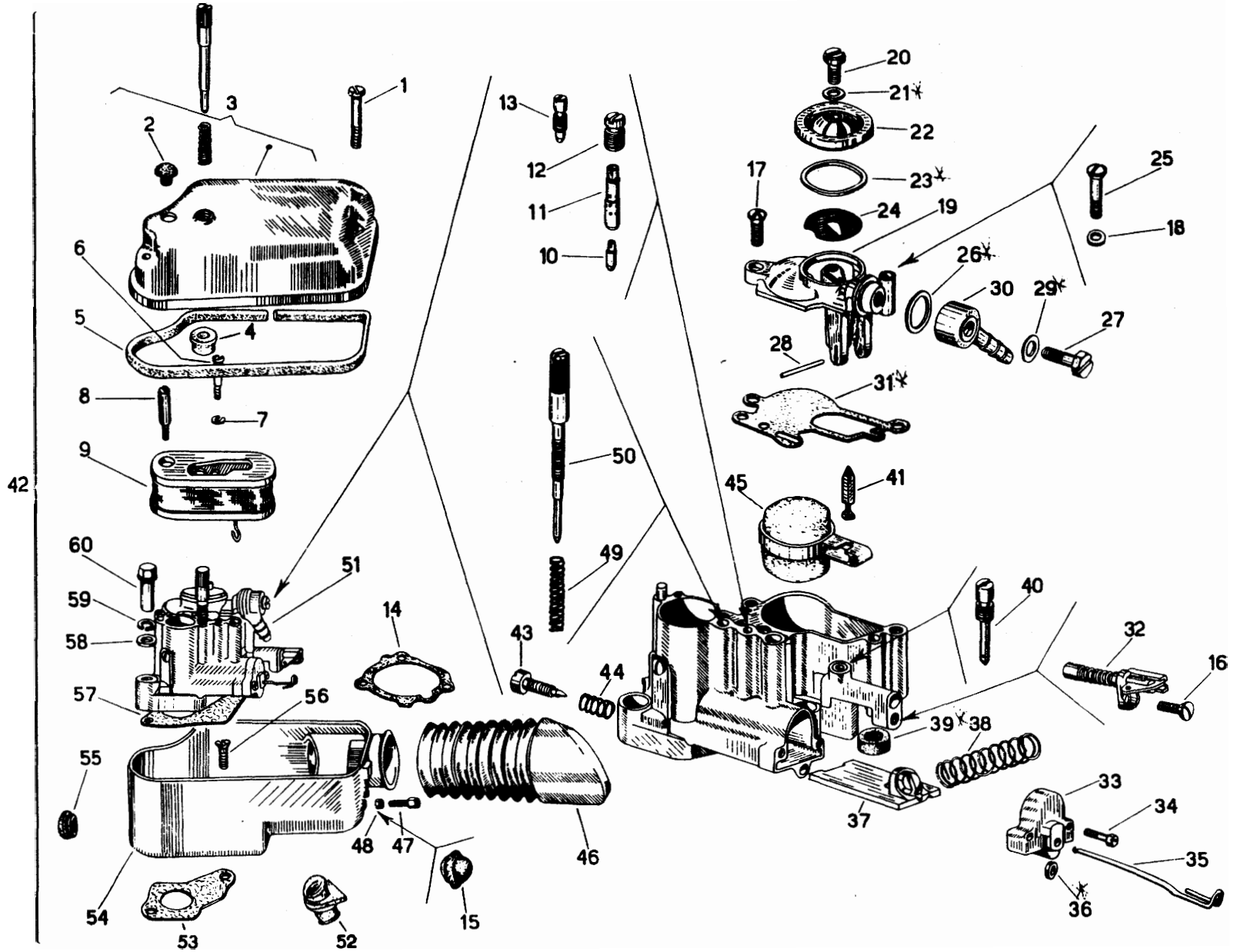




Fig. No.	PART NAME	Valid for	Spare parts	Quantity	Fig. No.	PART NAME	Valid for	Spare parts	Quantity	Fig. No.	PART NAME	Valid for	Spare parts	Quantity	
1	Cover sec. screw	↑ All ↓	S. 14583	2	9	Filter	VSE1	131083	1	15	Grommet	↑ All ↓	113059	1	
2	Plug		87975	1	10	Main jet	VBC1	86755	1	16	Screw sec. cover and starter control		2604	1	
3	Air cleaner cover with plug		120762 a)	1	10	Main jet	VLB1	89145	1	17	Screw sec. bowl cover		92395	1	
4	Packing		58364	1	10	Main jet	VSE1	132453	1	18	Spring washer		92410	2	
5	Gasket		58853	1	11	Mixer	VBC1	85297	1	19	Float chamber cover		VBC1 - VLB1	98476	1
6	Air cleaner case sec. screw		S. 14436	1	11	Mixer	VLB1 - VSE1	97438	1	19	Float chamber cover		VSE1	132369	1
7	Spring washer		S. 16405	1	12	Calibrator	VBC1	150167	1	20	Cap sec. screw		↑ All ↓	82934	1
8	Air cleaner case sec. screw		S. 14743	1	12	Calibrator	VLB1 - VSE1	150049	1	21	Packing			82920	1
9	Filter	VBC1	90926	1	13	Slow running jet	VBC1	150048	1	22	Cap	82933		1	
9	Filter	VLB1	113125	1	14	Gasket	All	113313	1	23	Gasket	82932	1		

T. VI

Fig. No.	PART NAME	Valid for	Spare parts	Quantity	Fig. No.	PART NAME	Valid for	Spare parts	Quantity	Fig. No.	PART NAME	Valid for	Spare parts	Quantity
24	Filter	↑ All ↓	82931	1	34	Screw securing cap	↑	85418	1	41	Needle	All	150045	1
25	Cover sec. screw		97645	1	35	Link	All	113010	1	42	Air filter, assy.	VBC1	113941 b)	1
26	Packing		85296	1	36	Packing	↓	85286	1	42	Air filter, assy.	VLB1	113192 b)	1
27	Pipe sec. screw		85294	1	37	Throttle plate slide	VBC1	150046	1	42	Air filter, assy.	VSE1	131117 b)	1
28	Float pin		85291	1	37	Throttle plate slide	VLB1	123486	1	43	Slow running adjuster screw	VBC1 - VLB1	85298	1
29	Packing		85288	1	37	Throttle plate slide	VSE1	132370	1	43	Slow running adjuster screw	VSE1	137362	1
30	Pipe		85295	1	38	Throttle slide return spring	VBC1 - VLB1	85304	1	44	Spring for screw	↑ All ↓	85285	1
31	Packing		150131	1	38	Throttle slide return spring	VSE1	93994	1	45	Float		85293	1
32	Starter device		152133	1	39	Packing	↑ All ↓	85467	1	46	Bellows	VBC1 - VSE1	58246	1
33	Cap		VBC1 - VLB1	150044	1	40		Starter jet	92712	1	46	Bellows	VLB1	122327
33	Cap	VSE1	131845	1										

Fig. No.	PART NAME	Valid for	Spare parts	Quantity	Fig. No.	PART NAME	Valid for	Spare parts	Quantity	Fig. No.	PART NAME	Valid for	Spare parts	Quantity	
47	Adjuster	↑ All ↓	2612	1	53	Packing	VSE1	131114	1						
48	Lock nut		2613	1	54	Air cleaner case	VBC1 - VLB1	112955	1						
49	Spring for adjuster screw		26018	1	54	Air cleaner case	VSE1	131116	1						
50	Throttle slide adjuster screw			85299	1	55	Plug	↑ All ↓	50274	1					
						56	Screw		S. 14540	1					
51	Carburettor with « starter »	VBC1	152180	1	57	Gasket	VBC1 - VLB1	113293	1						
51	Carburettor with « starter »	VLB1	124455	1	57	Gasket	VSE1	131115	1						
					58	Plain washer	↑	S. 13762	2						
51	Carburettor with « starter »	VSE1	131220	1	59	Spring washer	All	S. 16409	2						
52	Grommet	All	113060	1	60	Bolt	↓	49542	2						
						Use gasket set		All	132754	1					
53	Packing	VBC1 - VLB1	113012	1											

a) With part fig. No.: 2.  
 b) Parts fig. No.: 1 - 3 - 4 - 5 - 6 - 7 - 8 - 9 - 15 - 52 - 54 - 55.  
 c) Parts fig. No.: 10 - 11 - 12 - 13 - 16 - 17 - 18 - 19 - 20 - 21 - 22 - 23 - 24 - 25 - 26 - 27 - 28 - 29 - 30 - 31 - 32 - 33 - 34 - 35 - 36 - 37 - 38 - 39 - 40 - 41 - 43 - 44 - 45 - 49 - 50.

T. VI/1 CARBURETTOR - AIR CLEANER : MOD. V9A1 - VMA2

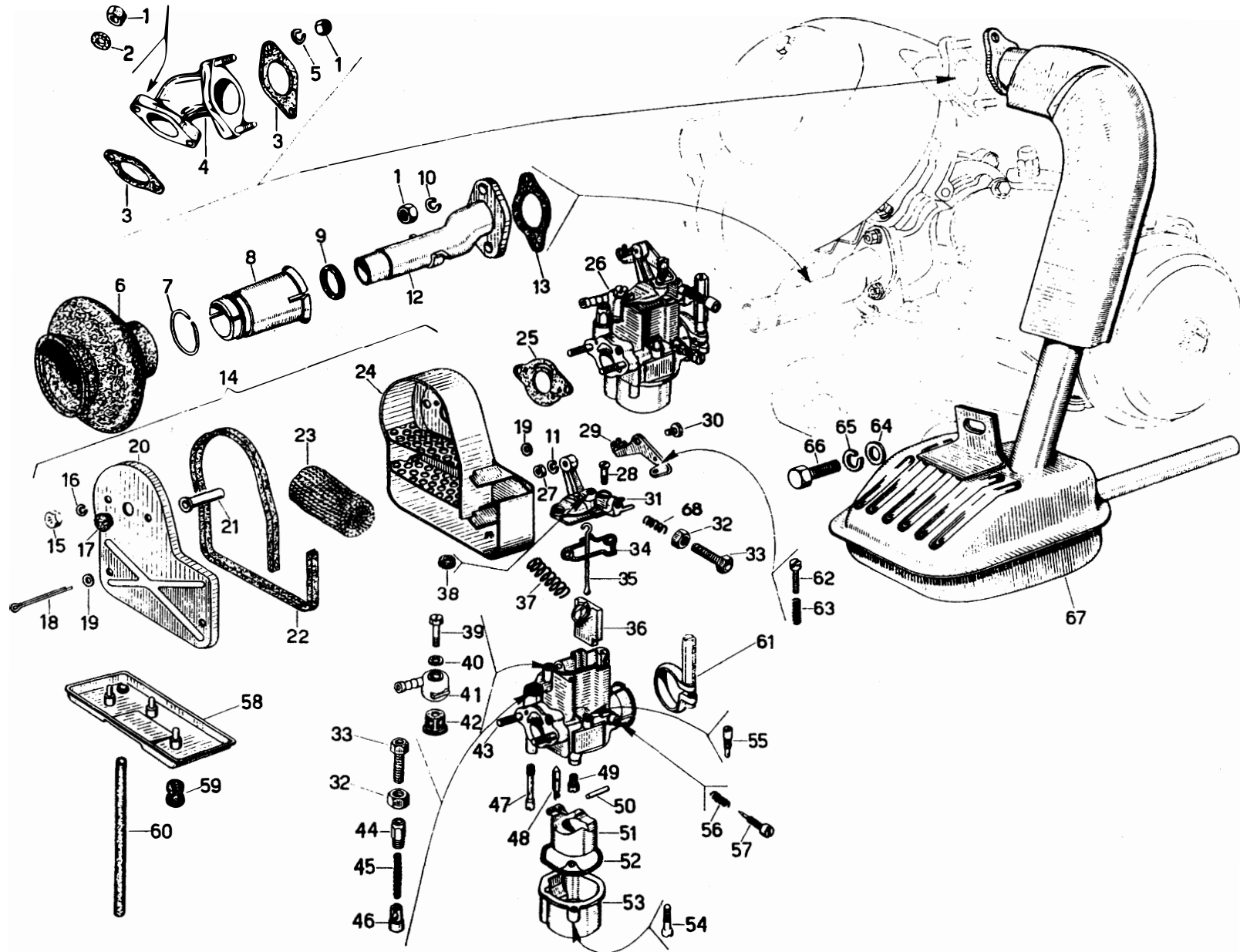


Fig. No.	PART NAME	Valid for	Spare parts	Quantity	Fig. No.	PART NAME	Valid for	Spare parts	Quantity	Fig. No.	PART NAME	Valid for	Spare parts	Quantity	
1	Nut	↑ All ↓	S. 20106	6	10	Spring washer	↑ All	S. 16406	2	20	Air cleaner cover	V9A1	112479	1	
1	Inlet jointing pipe sec. nut		S. 20006	2	11	Spring washer	↓	S. 16404	1	20	Air cleaner cover	VMA2	113266	1	
2	Lock washer		S. 12533	2	12	Jointing pipe	V9A1	78542	1	21	Spacer	↑ All ↓	112475	2	
3	Packing		122349	2	12	Jointing pipe	VMA2	112869	1	22	Packing		79882	1	
4	Exhaust jointing pipe		2/79247	1	13	Packing	All	78543	1	23	Filtering element		111496	1	
5	Spring washer			78307	2	14	Air cleaner, assy.	V9A1	112480 a)	1	24	Air cleaner case	V9A1	112482	1
6	Protection cap			71813	1	14	Air cleaner, assy.	VMA2	113263 a)	1	24	Air cleaner case	VMA2	113264	1
7	Circlip			110007	1	15	Nut	↑ All ↓	131952	2	25	Packing	V9A1	79900	1
8	Union		V9A1	110003	1	16	Air cleaner sec. spring washer		S. 6965	2	25	Packing	VMA2	152068	1
8	Union	VMA2	112517	1	17	Cap	87975		1	26	Carburettor, assy.	V9A1	150600 b)	1	
9	Packing	V9A1	S. 8736	1	18	Splint pin	S. 12783	2	26	Carburettor, assy.	VMA2	151976 b)	1		
9	Packing	VMA2	S. 8797	1	19	Plain washer	S. 13782	4	27	Lever pin sec. nut	All	S. 12012	1		

T. VI/1

Fig. No.	PART NAME	Valid for	Spare parts	Quantity	Fig. No.	PART NAME	Valid for	Spare parts	Quantity	Fig. No.	PART NAME	Valid for	Spare parts	Quantity
28	Valve cover sec. screw	↑ All ↓	85418	1	36	Slide throttle	V9A1	98084	1	42	Fuel filter	V9A1	98142	1
29	Valve control lever		98141	1	36	Slide throttle	VMA2	152071	1	42	Fuel filter	VMA2	99315	1
30	Lever pin		92403	1	37	Spring for valve	V9A1	98132	1	43	Stud	V9A1	111497	2
31	Slide throttle cover	V9A1	98139	1	37	Spring for valve	VMA2	152074	1	43	Stud	VMA2	113268	2
31	Slide throttle cover	VMA2	152073	1	38	Packing for rod	All	85286	1	44	Starter valve cover	V9A1	98129	1
32	Nut	VMA2	2613	2	39	Pipe sec. screw	V9A1	98144	1	44	Starter valve cover	VMA2	152077	1
33	Adjusting screw	V9A1	98128	1	39	Pipe sec. screw	VMA2	85294	1	45	Spring	↑ All ↓	98146	1
33	Adjusting screw	VMA2	24638	1	40	Packing	V9A1	98136	1	46	Starter valve		98149	1
34	Packing	V9A1	98145	1	40	Packing	VMA2	85288	1	47	Starter jet	V9A1	98433	1
34	Packing	VMA2	152072	1	41	Pipe	V9A1	98140	1	47	Starter jet	VMA2	152075	1
35	Valve rod	V9A1	98147	1	41	Pipe	VMA2	152067	1	48	Needle	↑ All ↓	90506	1
35	Valve rod	VMA2	152069	1	49	Main jet				49	Main jet		83902	1

Fig. No.	PART NAME	Valid for	Spare parts	Quantity	Fig. No.	PART NAME	Valid for	Spare parts	Quantity	Fig. No.	PART NAME	Valid for	Spare parts	Quantity
50	Float pin	↑	<b>85291</b>	1	60	Fuel waste pipe	All	<b>87394</b>	*					
51	Float		<b>98430</b>	1	61	Sleeve sec. ring	V9A1	<b>136577</b>	1					
52	Packing	All	<b>98148</b>	1	61	Sleeve sec. ring	VMA2	<b>136578</b>	1					
53	Float chamber	↓	<b>98138</b>	1	62	Lever adjust. screw	↑	<b>98137</b>	1					
54	Float chamber sec. screw		<b>98134</b>	1	63	Spring		<b>13991</b>	1					
55	Slow running jet	V9A1	<b>85795</b>	1	64	Plain washer	All	<b>S. 18962</b>	1					
55	Slow running jet	VMA2	<b>150584</b>	1	65	Spring washer		<b>S. 16410</b>	1					
56	Spring	↑	<b>98135</b>	1	66	Bolt	↓	<b>S. 15690</b>	1					
57	Slow running jet adj. screw		<b>98133</b>	1	67	Silencer, assy.		<b>120218</b>	1					
58	Cup for fuel waste	All	<b>111123</b>	1	68	Spring	V9A1	<b>98130</b>	1					
59	Grommet for fuel waste pipe	↓	<b>83111</b>	1										

a) Parts fig. No.: 17 - 18 - 19 - 20 - 21 - 22 - 23 - 24.

b) Parts fig. No.: 11 - 27 - 28 - 29 - 30 - 31 - 32 - 33 - 34 - 35 - 36 - 37 - 38 - 39 - 40 - 41 - 42 - 43 - 44 - 45 - 46 - 47 - 48 - 49 - 50 - 51 - 52 - 53 - 54 - 55 - 56 - 57 - 61 - 62 - 63.

\*) Request by yards.

T. VII

GEAR SELECTOR - L. T. SOCKET - H. T. COIL : MOD. VBC1 - VLBI - VSE1

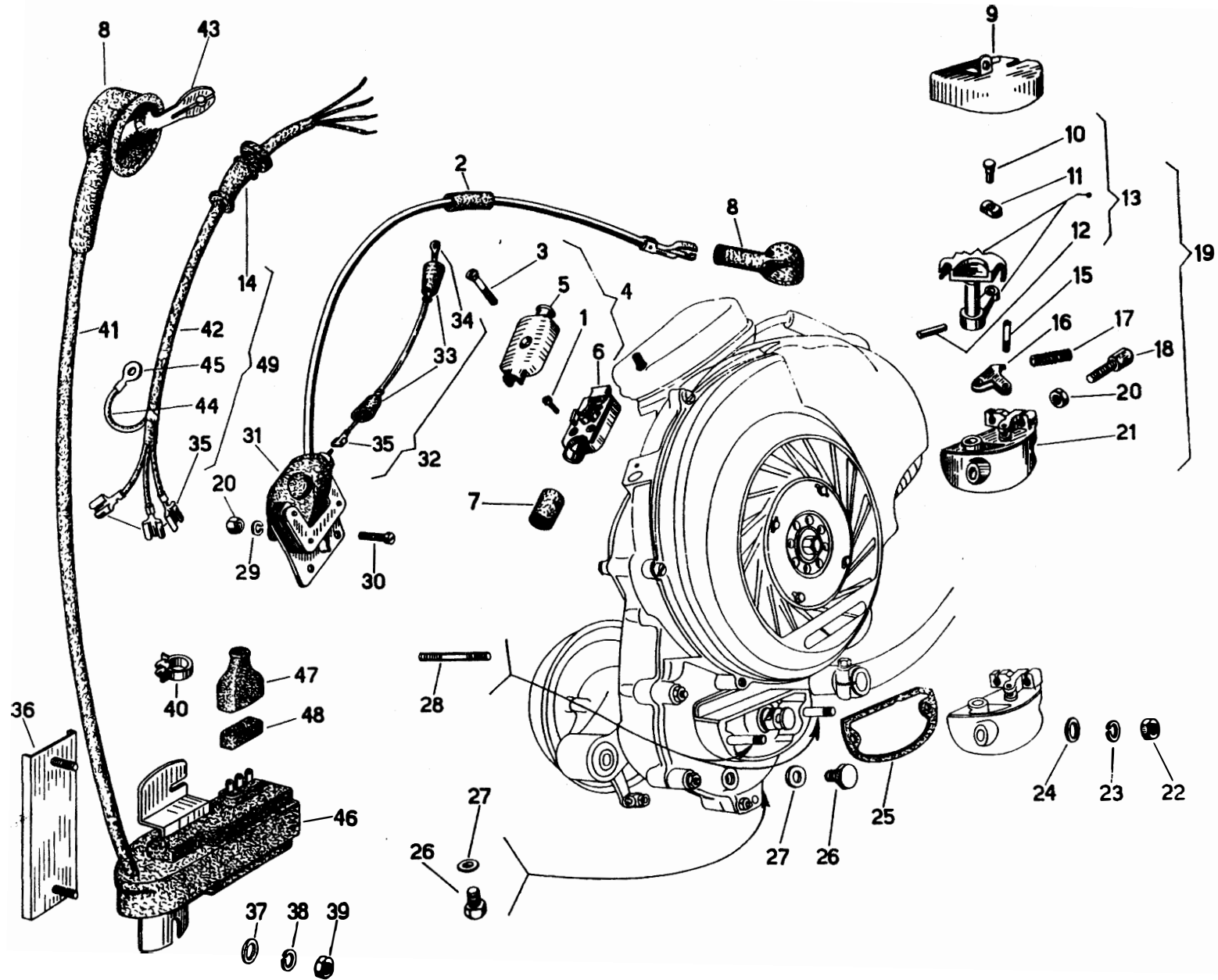




Fig. No.	PART NAME	Valid for	Spare parts	Quantity	Fig. No.	PART NAME	Valid for	Spare parts	Quantity	Fig. No.	PART NAME	Valid for	Spare parts	Quantity
1	L. T. socket sec. screw	All	S. 14402	5	19	Selector bracket, assy.	↑	92167 c)	1	37	Plain washer	↑	S. 13755	2
2	Insulating sheath	VBC1 - VLB1	84737	1	20	Nut	↑	S. 20105	4	38	Spring washer	↑	S. 12533	2
3	Cover sec. screw	↑	S. 8230	1	21	Selector bracket	↑	92166	1	39	Nut	↑	S. 20106	2
4	L. T. socket, assy.	All	120811 a)	1	22	Selector bracket sec. nut	↑	S. 20107	2	40	Spring	↑	122181	1
5	Cover	↓	120813	1	23	Spring washer	All	S. 16407	2	41	Insulating sheath	↑	87400	*
6	L. T. socket body	VSE1	120812	1	24	Plain washer	↓	S. 3057	2	42	Insulating sheath	VSE1	87399	1
7	L. T. socket plug	↑	127258	1	25	Gasket	↑	47162	1	43	Terminal	↓	127966	1
8	Sparking plug cap	↑	46741	1	26	Oil cap	↑	2990	2	44	Wire	↓	98333	1
9	Selector bracket cov.	↑	59465	1	27	Packing	↑	397	2	45	Terminal	↓	24429	1
10	Slide block pin	All	46612	1	28	Stud	↑	S. 11288	2	46	Electronic ignition device	↓	124697	1
11	Slide block	↑	2/46613	1	29	Spring washer	↓	S. 16405	5	47	Insulating cap	↓	144019 f)	1
12	Taper pin	↑	S. 13010	1	30	H. T. coil sec. screw	↑	S. 10047	2	48	Connector	↓	125803	1
13	Selector, assy.	All	2/92099 b)	1	31	H. T. coil with cable	↑	90613 d)	1	49	Cable harness	VSE1	104151 g)	1
14	Grommet	↑	46766	1	32	L. T. cable, assy.	VBC1 - VLB1	90372 e)	1					
15	Plate sec. pin	↑	59407	1	33	Insulating cap	↓	73943	3					
16	Plate	↑	202503	1	34	Terminal	↓	14501	1					
17	Return spring	↑	59410	1	35	Plug	All	71482	4					
18	Adjusting screw	↓	90527	2	36	Stiffening plate	VSE1	140541	1					

a) With parts fig. No.: 1 - 3 - 5 - 6 - 7.  
 b) With parts fig. No.: 10 - 11 - 12.  
 c) With parts fig. No.: 13 - 15 - 16 - 17 - 18 - 20 - 21.  
 d) With part fig. No.: 8.  
 e) With parts fig. No.: 33 - 34 - 35.  
 f) With parts fig. No.: 41 - 43.  
 g) With parts fig. No.: 14 - 35 - 42 - 44 - 45.  
 \*) Request by yards.



Fig. No.	PART NAME	Valid for	Spare parts	Quantity	Fig. No.	PART NAME	Valid for	Spare parts	Quantity	Fig. No.	PART NAME	Valid for	Spare parts	Quantity
1	Saddle cover	↑ VBC1 - VLB1 ↓	<b>90623</b>	1	10	Cap securing nut	↑ All ↓	<b>92217</b>	1	21	Support for saddle	↑ VBC1 - VLB1 ↓	<b>97242</b>	1
2	<b>Saddle, assy.</b>		<b>152357</b> a)	1	11	Split pin		<b>S. 3212</b>	1	22	Bolt for saddle		<b>48201</b>	1
3	Saddle cover sec. fastener		<b>94720</b>	8	12	Filter assy.		<b>131436</b>	1	23	Saddle buffer		<b>48459</b>	1
4	Passenger grip		<b>90618</b>	1	13	Gasket		<b>94147</b>	1	24	Inner tube		<b>84475</b>	1
5	Hinge pin	<b>S. 10860</b>	1	14	Packing washer	<b>S. 6068</b>		1	25	Shoulder washer	<b>84476</b>		2	
6	Packing	<b>2319</b>	1	15	Plain washer	<b>S. 6067</b>		1	26	Packing	<b>47460</b>		1	
7	Filler cap	VBC1 - VLB1	<b>16724</b>	1	16	Fuel cock sec. nut		<b>9433</b>	1	27	Spring clip	<b>15467</b>	1	
7	Filler cap	VSE1	<b>56678</b>	1	17	<b>Fuel cock, assy.</b>		<b>136673</b> c)	1	28	Tube	<b>83139</b>	1	
8	<b>Fuel tank, assy.</b>	VBC1 - VLB1	<b>103960</b> b)	1	18	Hinge pin		<b>84474</b>	1	29	Packing for fuel cock	<b>13836</b>	1	
8	<b>Fuel tank, assy.</b>	VSE1	<b>136666</b> b)	1	19	Plain washer		<b>2383</b>	2	30	<b>Fuel cock, body</b>	VBC1 - VLB1	<b>131434</b> d)	1
9	Tie bolt	All	<b>4435</b>	1	20	Passenger grip sec. nut	<b>S. 20108</b>	2	30	<b>Fuel cock, body</b>	VSE1	<b>136672</b> d)	1	

T. VIII

Fig. No.	PART NAME	Valid for	Spare parts	Quantity	Fig. No.	PART NAME	Valid for	Spare parts	Quantity	Fig. No.	PART NAME	Valid for	Spare parts	Quantity
31	Bolt	↑ VBC1 - VLB1 ↓	S. 14732	3	42	Grommet	↑ All ↓	84262	1	51	Hook for bag (closed type)	VLB1 - VSE1	57468	1
32	Spring washer		S. 16407	6	43	Fuel line		104293	1	51	Hook for bag (open type)	VBC1	90542	1
33	Saddle and fuel tank sec. bolt		S. 15507	3	44	Spring		13835	1	52	Hook sec. nut	↑ VLB1 - VSE1 ↓	S. 20105	2
34	Bolt		S. 15522	2	45	Screw for sec. spring		S. 10011	2	53	Fastening plate		57371	1
35	Luggage rack	↑ All ↓	72960	1	46	Fuel cock lever	↑ VBC1 - VLB1 ↓	103202	1	54	Hook securing screw	↑ VBC1 ↓	S. 14415	2
36	Strap		97248	2	47	Nut		S. 20110	1	55	Spring washer		S. 16405	2
37	Tie strip		9641	1	48	Spring retainer cap		25854	1	56	Plug for hook holes	90937	2	
38	Sediment bowl		↑ All ↓	9640	1	49		Spring	↑ All ↓	2/48973	1	57	Cup for oil control	↑ All ↓
39	Packing ring	26042		1	50	Plain washer sec. saddle and fuel tank	S. 3057	3		58	Inner element for oil control	103155	1	
40	Filter	26041		1	59	Packing	102587	1						
41	Cover		46168	1										

Fig. No.	PART NAME	Valid for	Spare parts	Quantity	Fig. No.	PART NAME	Valid for	Spare parts	Quantity	Fig. No.	PART NAME	Valid for	Spare parts	Quantity
60	Packing	↑ All ↓	102586	1										
61	Oil control cap		102585	1										
62	Oil filter		103850	1										
63	Oil pipe packing		15478	1										
64	Pipe between oil tank and mixer device		104294	1										
65	Strap		104296	2										

a) With parts fig. No.: 1 - 3 - 4 - 18 - 19 - 20 - 21 - 22 - 23 - 24 - 25 - 47 - 48 - 49.

b) With parts fig. No.: 5 - 6 - 7 - 9 - 10 - 11.

c) With parts fig. No.: 14 - 15 - 16 - 27 - 28 - 29 - 30 - 37 - 38 - 39 - 40 - 41 - 44 - 45 - 46.

d) With parts fig. No.: 12.

\* For VSE1 see T. XVIII.

T. VIII/1 SADDLE - FUEL TANK - FUEL COCK: MOD. V9A1 - VMA2

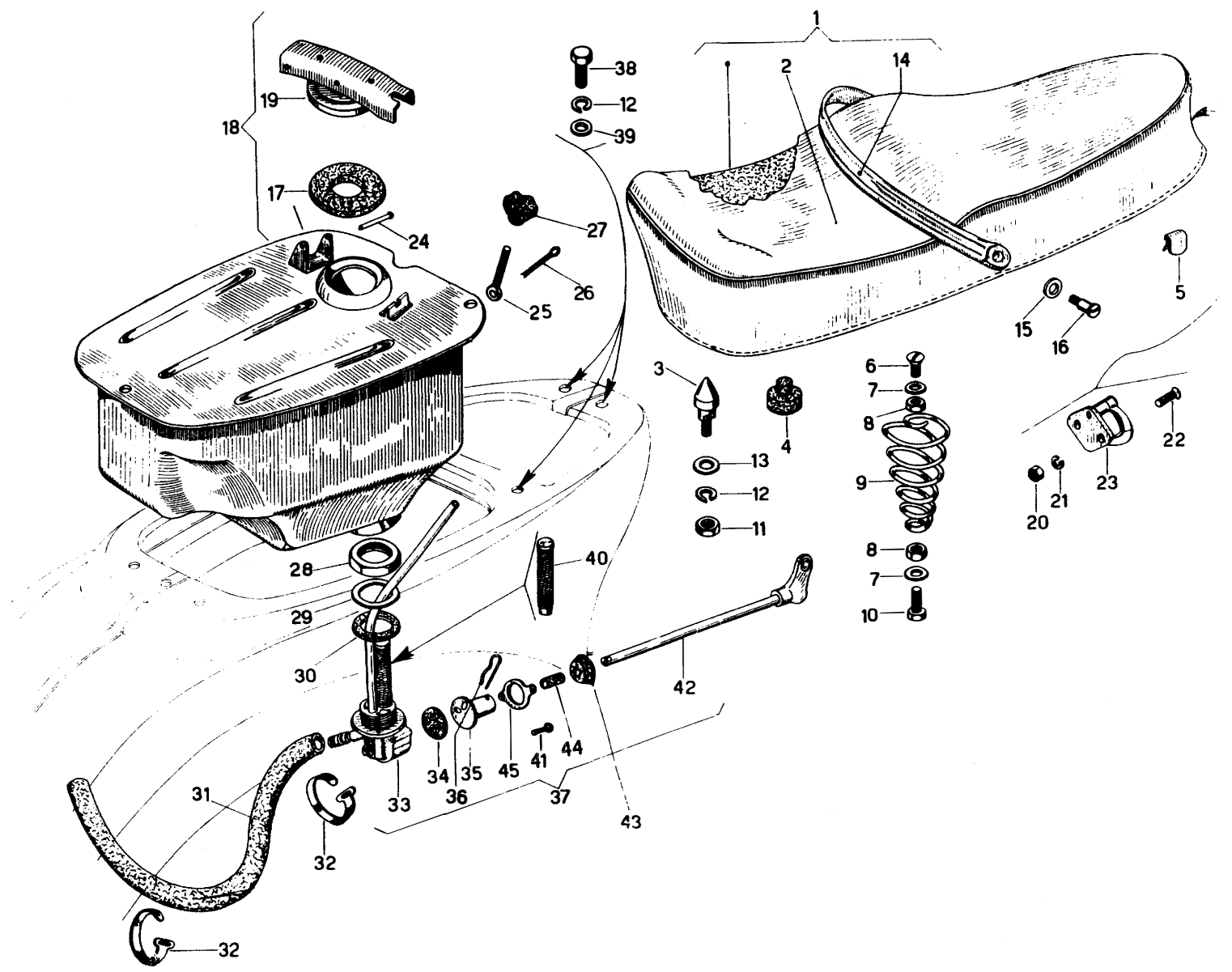


Fig. No.	PART NAME	Valid for	Spare parts	Quantity	Fig. No.	PART NAME	Valid for	Spare parts	Quantity	Fig. No.	PART NAME	Valid for	Spare parts	Quantity
1	<b>Saddle, long</b>	All	<b>152272</b> a)	1	17	Cap gasket	All	<b>71734</b>	1	34	Packing	All	<b>13836</b>	1
2	Cover, for long saddle		<b>98319</b>	1	18	<b>Fuel tank and cap</b>		<b>100379</b> b)	1	35	Cover		<b>46168</b>	1
3	Saddle pin, rear		<b>56729</b>	1	19	Fuel tank cap	<b>71728</b>	1	36	Spring clip	<b>15467</b>		1	
4	Buffer		<b>56730</b>	4	20	Nut	<b>S. 20105</b>	2	37	<b>Fuel cock</b>	<b>98581</b> d)		1	
5	Clamp for long saddle		<b>94720</b>	18	21	Spring washer	<b>S. 7631</b>	2	38	Saddle and fuel tank securing bolt	<b>S. 15522</b>		4	
6	Spring sec. screw		<b>S. 14540</b>	2	22	Hook sec. screw	<b>S. 10022</b>	2	39	Plain washer	<b>S. 3057</b>		4	
7	Plain washer		<b>S. 13880</b>	4	23	Hook for bag for long saddle	<b>57468</b>	1						
8	Nut		<b>S. 20106</b>	4	24	Cap rivet	<b>8446</b>	1	40	Fuel cock filter	<b>97573</b>		1	
9	R. H. centr. spring		<b>90731</b>	1	25	Tie bolt	<b>4435</b>	1	41	Cover sec. screw	<b>S. 10011</b>		2	
9	L. H. centr. spring		<b>90732</b>	1	26	Split pin	<b>S. 3212</b>	1	42	Fuel cock lever	<b>98584</b>		1	
10	Spring sec. bolt		<b>S. 31089</b>	2	27	Cap nut	<b>92217</b>	1	43	Packing for lever	<b>47460</b>		1	
11	Nut		<b>S. 20107</b>	1	28	Fuel cock sec. nut	<b>9433</b>	1	44	Tube	<b>83139</b>		1	
12	Spring washer		<b>S. 16407</b>	5	29	Plain washer	<b>S. 6067</b>	1	45	Spring packing	<b>13835</b>		1	
13	Plain washer for sec. long saddle		<b>S. 13842</b>	1	30	Packing	<b>S. 6068</b>	1	a) With parts fig. No.: 2 - 4 - 5 - 6 - 7 - 8 - 9 - 10 - 14 - 15 - 16. b) With parts fig. No.: 17 - 19 - 24 - 25 - 26 - 27. c) With part fig. No.: 40. d) With parts fig. No.: 28 - 29 - 30 - 33 - 34 - 35 - 36 - 41 - 42 - 44 - 45.					
14	Long saddle grip		<b>71047</b>	1	31	Fuel hose	<b>71506</b>	1						
15	Plain washer		<b>89242</b>	2	32	Strap	<b>90982</b>	2						
16	Grip sec. screw	<b>94030</b>	2	33	<b>Fuel cock body</b>	<b>90582</b> c)	1							

T. IX

CHASSIS - TOOL COWL - ENGINE COWL : MOD. VBC1 - VLBI - VSE1

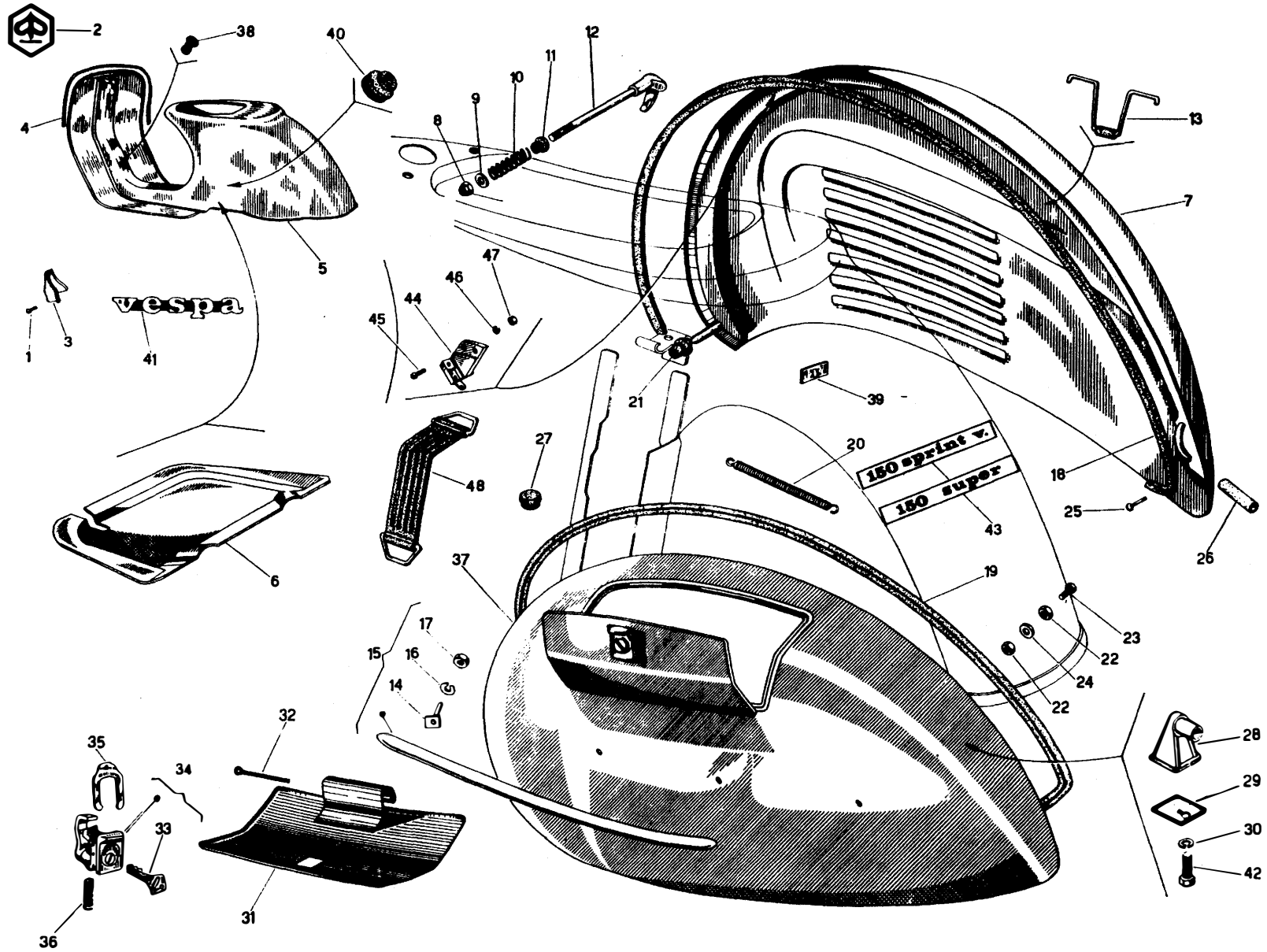




Fig. No.	PART NAME	Valid for	Spare parts	Quantity	Fig. No.	PART NAME	Valid for	Spare parts	Quantity	Fig. No.	PART NAME	Valid for	Spare parts	Quantity
1	Steering col. cover rivet	↑ All	3008	14	5	Vehicle frame	VSE1	137879 a)	1	14	Bolt with plate	↑	93122	6
2	Piaggio emblem	↓	152290	1	6	Frame seal diaph.	All	2/87019	1	15	Ornament strip with attach. for engine cowl	↓	90522 c)	1
3	Steering column cover	VBC1 - VLB1	97495	1	7	Engine cowl	VBC1	145231 b)	1	15	Ornament strip with attach. for tool box	VBC1	90523 c)	1
3	Steering column cover	VSE1	114609	1	7	Engine cowl	VLB1	137794 b)	1	16	Spring washer	↓	S. 12542	6
4	Windshield beading	VBC1 - VLB1	72271	1	8	Self - tapping nut	↑	S. 12112	1	17	Nut sec. strip	↓	S. 12118	6
4	Windshield beading, L. H.	↑ VSE1	71967 ▲)	1	9	Plain washer	↓	97733	1	18	Engine cowl packing	↓	101039	1
4	Windshield beading, R. H.	↓	71966 ▲)	1	10	Spring	VBC1 - VLB1	83115	1	18	Engine cowl packing	VLB1	135231	1
5	Vehicle frame	VBC1	145228 a)	1	11	Grommet	↓	83111	1	19	Tool box packing	VBC1	101040	1
5	Vehicle frame	VLB1	137881 a)	1	12	Grip	↓	83113	1	19	Tool box packing	VLB1	135232	1
					13	Clasp	↓	85457	1	20	Spring for tool kit	VBC1 - VLB1	12218	1

T. IX

Fig. No.	PART NAME	Valid for	Spare parts	Quantity	Fig. No.	PART NAME	Valid for	Spare parts	Quantity	Fig. No.	PART NAME	Valid for	Spare parts	Quantity			
21	Bush on cowl pin	↑ VBC1 - VLB1 ↓	<b>84788</b>	1	31	Tool box flap	VBC1	<b>100837</b>	1	39	Spring plate	↑ All ↓	<b>S. 8108</b>	2			
22	Nut sec. tool box		<b>S. 20004</b>	12	31	Tool box flap	VLB1	<b>100208</b>	1	40	Grommet		<b>90627</b>	1			
23	Bolt		<b>S. 31034</b>	6	32	Split pin	↑ VBC1 - VLB1 ↓	<b>S. 12820</b>	1	41	Vespa «Name-plate»		<b>152649</b>	1			
24	Plain washer		<b>S. 6126</b>	6	33	Tool box key		<b>120329</b> d)	2	42	Bolt		<b>S. 31087</b>	1			
25	Rivet		<b>87096</b>	2	34	<b>Tool box lock</b>		<b>73258</b> e)	1	43	«150 Super» name-plate		<b>152513</b> g)	2			
26	Sheath for engine cowl		<b>24041</b>	2	35	Keep plate		<b>73260</b>	1	43	«150 Sprint V.» name-plate		<b>145342</b> g)	1			
27	Buffer		<b>25965</b>	3	36	Spring		<b>73111</b>	1	44	Bracket for electrical contact		VBC1 - VLB1	<b>137791</b>	1		
28	Bracket for rear turn signal lamp.		↑ All ↓	<b>137730</b>	2	37		<b>Tool box assy.</b>	VBC1	<b>137916</b> f)	1		44	Bracket for electrical contact on engine cowl	↑ VSE1 ↓	<b>137859</b>	1
29	Packing			<b>137790</b>	2	37		<b>Tool box assy.</b>	VLB1	<b>137915</b> f)	1		44	Bracket for electrical contact on tool box		<b>137858</b>	1
30	Lock washer			<b>S. 12533</b>	2	38		Plug for chassis holes	VBC1 - VLB1	<b>90958</b>	2						

Fig. No.	PART NAME	Valid for	Spare parts	Quantity	Fig. No.	PART NAME	Valid for	Spare parts	Quantity	Fig. No.	PART NAME	Valid for	Spare parts	Quantity
45	Screw	↑ All ↓	S. 15568	4										
46	Spring washer		S. 16404	4										
47	Nut		S. 20104	4										
48	Spring belt	VBC1 - VLB1	90854	1										

- a) With parts fig. No.: 1 - 2 - 3 - 39 - 41 - 43. (For VSE1 see T. IX/1.
- b) With parts fig. No.: 13 - 26.
- c) With parts fig. No.: 14 - 16 - 17.
- d) When request the key 120329 for the security lock, besides the drg. number of the spare it should be also carried out the number stamped on the key itself.
- e) With part fig. No.: 33.
- f) With parts fig. No.: 31 - 32.
- g) The name - plates should be fitted with the plate S.8108 ( 2 pieces).
- ▲) These windshield beadings are secured to the windshield by means of 10 screws drg. 28302 that can be requested as spare parts.

o) Lock couple 139188

T. IX/1 COWLS - GLOVE COMPARTMENT - SILENCER : MOD. VSE1

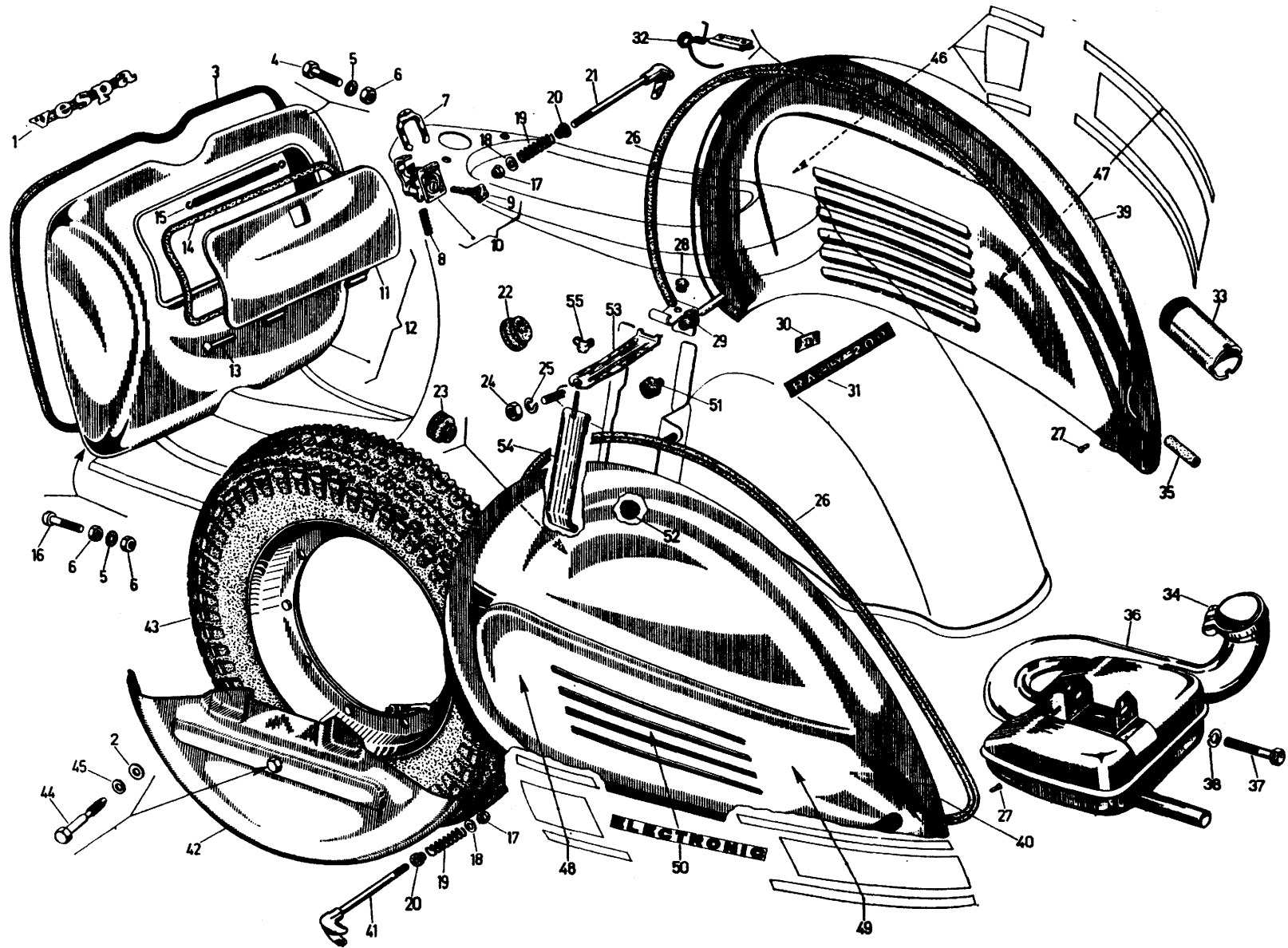


Fig. No.	PART NAME	Valid for	Spare parts	Quantity	Fig. No.	PART NAME	Valid for	Spare parts	Quantity	Fig. No.	PART NAME	Valid for	Spare parts	Quantity
1	« Vespa » name-plate	VSE1	152649	1	23	Grommet	VSE1	70286	1	46	Engine cowl ornament	VSE1	141777	1
2	Plain washer		56649	1	24	Nut sec. spare wheel		S. 20108	2	47	Engine cowl ornament		141772	1
3	Packing between glove comp. and frame		120791	1	25	Spring washer		S. 16408	2	47	Engine cowl ornament		141778	1
4	Upper bolt		S. 31059	2	26	Packing strips for cowls		120793	2	47	Engine cowl ornament		141774	1
5	Lock washer		S. 12528	4	27	Rivet		87096	2	48	L. H. cowl ornament		141780	1
6	Nut		S. 20105	6	28	Rubber spacer		56654	2	48	L. H. cowl ornament		141775	1
7	Lock plate		73260	1	29	Bush for pin		84788	2	49	L. H. cowl ornament		141781	1
8	Spring		73111	1	30	Spring plate		S. 8108	4	49	L. H. cowl ornament		141827	1
9	Key for lock		▲) 120329	2	31	« Rally 200 » rear name - plate		152515	1	49	L. H. cowl ornament		142253	1
10	Lock for glove compartment		130379	1	32	Cowl ret. spring		73954	2	50	«Electronic» name-plate		57156	1
11	Flap		73258	1	33	Ring nut		130143	1	50	«Electronic» name-plate		93195	3
12	Glove comp. assy.		h)	1	34	Silencer clamp		140528	1	51	Buffer		57150	1
13	Rivet		73208	1	35	Tube		24041	2	52	Spacer		94740	1
14	Packing		91823	1	36	Silencer assy.		141329	1	53	Battery bracket		10055	1
15	Tool canvas sec. spring		a)	2	37	Bolt		S. 14691	1	54	Battery sec. strip			
16	Glove compart. sec. screw		97523	2	38	Spring washer		S. 16410	1	55	Wing nut			
17	Locking nut	73209	1	39	Engine cowl	137851	1							
18	Plain washer	12218	1	40	Cowl, L. H.	137853	1							
19	Spring	S. 14726	2	41	L. H. tie rod	b)	1							
20	Grommet	S. 12112	2	42	L. H. tie rod	54890	1							
21	Grip, R. H.	97733	2	43	Spare wheel cover	102673	1							
22	Grommet	83115	2	44	Spare wheel, assy.	137519	1							
		83111	2	45	Bolt	102675	1							
		83113	1	46	Spring washer	S. 6968	1							
		114917	1		Engine cowl ornament	141771	1							

a) With parts fig. No.: 11 - 13 - 14 - 15.

b) With parts fig. No.: 32 - 35.

c) For engine cowl painted with red canyon 921.

d) For engine cowl painted with Polaris 111 colour.

e) For L. H. cowl painted with red canyon 921.

f) For L. H. cowl painted with Polaris 111 colour.

g) With part fig. No.: 34.

h) With part fig. No.: 9.

▲) See note d) T. IX.

T. IX/2 FRAME - TOOL COWL - PROFILE STRIPS - CENTRAL STAND: MOD. V9A1 - VMA2

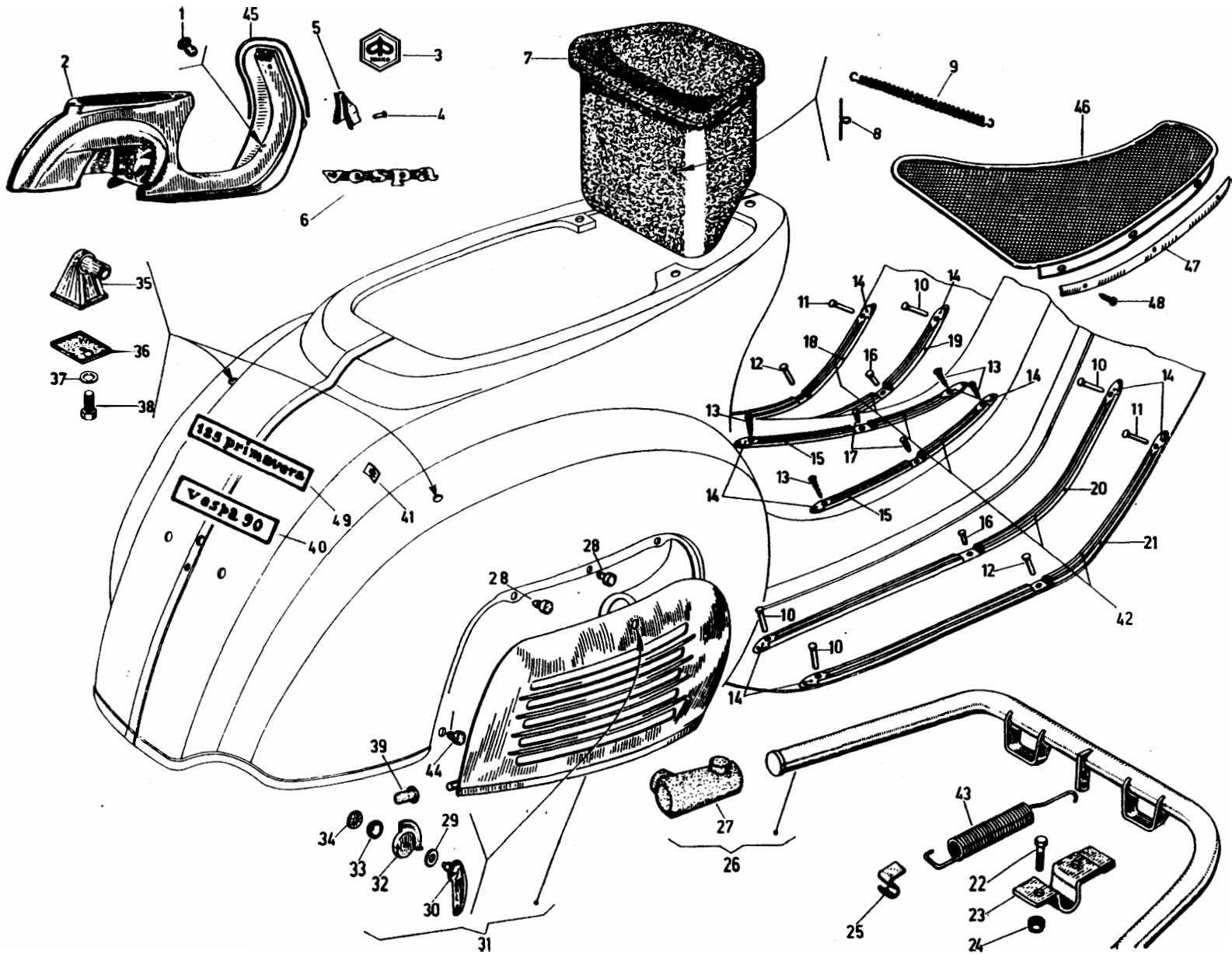


Fig. No.	PART NAME	Valid for	Spare parts	Quantity	Fig. No.	PART NAME	Valid for	Spare parts	Quantity	Fig. No.	PART NAME	Valid for	Spare parts	Quantity
1	Plug	All	90958	2	9	Spring for tool kit	All	12218	1	14	Terminal pads	All	98668	12
2	Frame	V9A1	137834 a)	1	10	Terminal pads sec. rivet	V9A1	S. 10869	3	15	Frame strip	V9A1	98663	2
2	Frame	VMA2	137833 a)	1	10	Rivet for inner terminal pads	↑ VMA2	S. 10869	4	16	Inner and outer strips sec. rivet	All	S. 10805	10
3	« Piaggio » emblem	↑	152280	1	10	Rivet for rear outer terminal pads	↓	S. 10881	2	17	Rivet sec. strips to the frame	V9A1	4511	2
4	Steering column cover sec. rivet		3008	6	11	Rivet for front outer terminal pad	All	S. 10868	2	18	Outer strip for L. H. foot rest	↑	150275	1
5	Steering column cover		98443	1	11	Rivet for front terminal pads	↑	S. 10881	4	19	Inner strip for L. H. foot rest	↑ All	98662	1
6	« Vespa » nameplate (adhesive)		152649	1	12	Outer strips securing rivet	V9A1	S. 10805	4	20	Inner strip for R. H. foot rest		↓	98661
7	Tool box	100389	1	13	Screw for securing terminal pads to the frame	↓	S. 14628	4	21	Outer strip for R. H. foot rest	↓		150276	1
8	Spring	All	71638	2										

T. IX/2

Fig. No.	PART NAME	Valid for	Spare parts	Quantity	Fig. No.	PART NAME	Valid for	Spare parts	Quantity	Fig. No.	PART NAME	Valid for	Spare parts	Quantity		
22	Central stand sec. bolt	↑ All ↓	S. 31089	4	29	Stop washer	↑ All ↓	S. 13935	2	37	Spring washer	↑ All ↓	S. 16406	2		
23	R. H. bracket		135389	1	30	Key for flaps		70425	2	38	Bolt		All	S. 31087	2	
23	L. H. bracket		135390	1	31	Engine cowl flap		91380 e)	1	39	Cap for flaps		↓	100408	2	
24	Central stand sec. nut		S. 12138	4	31	L. H. cowl flap		123500 e)	1	40	« Vespa 90 » rear name - plate		V9A1	145341	1	
25	Plate for spring		77252	1	32	Engine cowl flap. cup		70427	1	41	Name - plate sec. spring plate		↑ All ↓	S. 8108	2	
26	Central stand		135384 b)	1	32	L. H. flap cup		123487	1	42	Rubber profile strip			97237	*	
27	R. H. stand pad		135387	1	33	Spring washer		70428	2	43	Central stand spring			All	77269	1
27	L. H. stand pad		135388	1	34	Plain washer		S. 13963	2	44	Lower buffer			101783	2	
28	Upper lateral buffer		98669	2	35	Rear trafficator lights bracket		137730	2	45	Windshield beading		↓	70416	1	
28	Upper central buffer		150566	6	36	Packing		137790	2	46	Rubber mat		VMA2	100445	1	



Fig. No.	PART NAME	Valid for	Spare parts	Quantity	Fig. No.	PART NAME	Valid for	Spare parts	Quantity	Fig. No.	PART NAME	Valid for	Spare parts	Quantity	
47	R. H. strip for sec. rubber mat	↑ VMA2 ↓	100446	1											
47	L. H. strip for sec. rubber mat		100447	1											
48	Self tappin screw for sec. rubber mat		S. 15727	6											
49	« 125 Primavera » rear name - plate		145340	1											

a) With parts fig. No.: 3 - 4 - 5 - 6 - 40 - 41 - 45.  
 b) With part fig. No.: 27.  
 c) With parts fig. No.: 29 - 30 - 32 - 33 - 34.  
 \*) Request by yards.

T. X

REAR DAMPER : MOD. V9A1 - VMA2 - VBC1 - VLB1 - VSE1

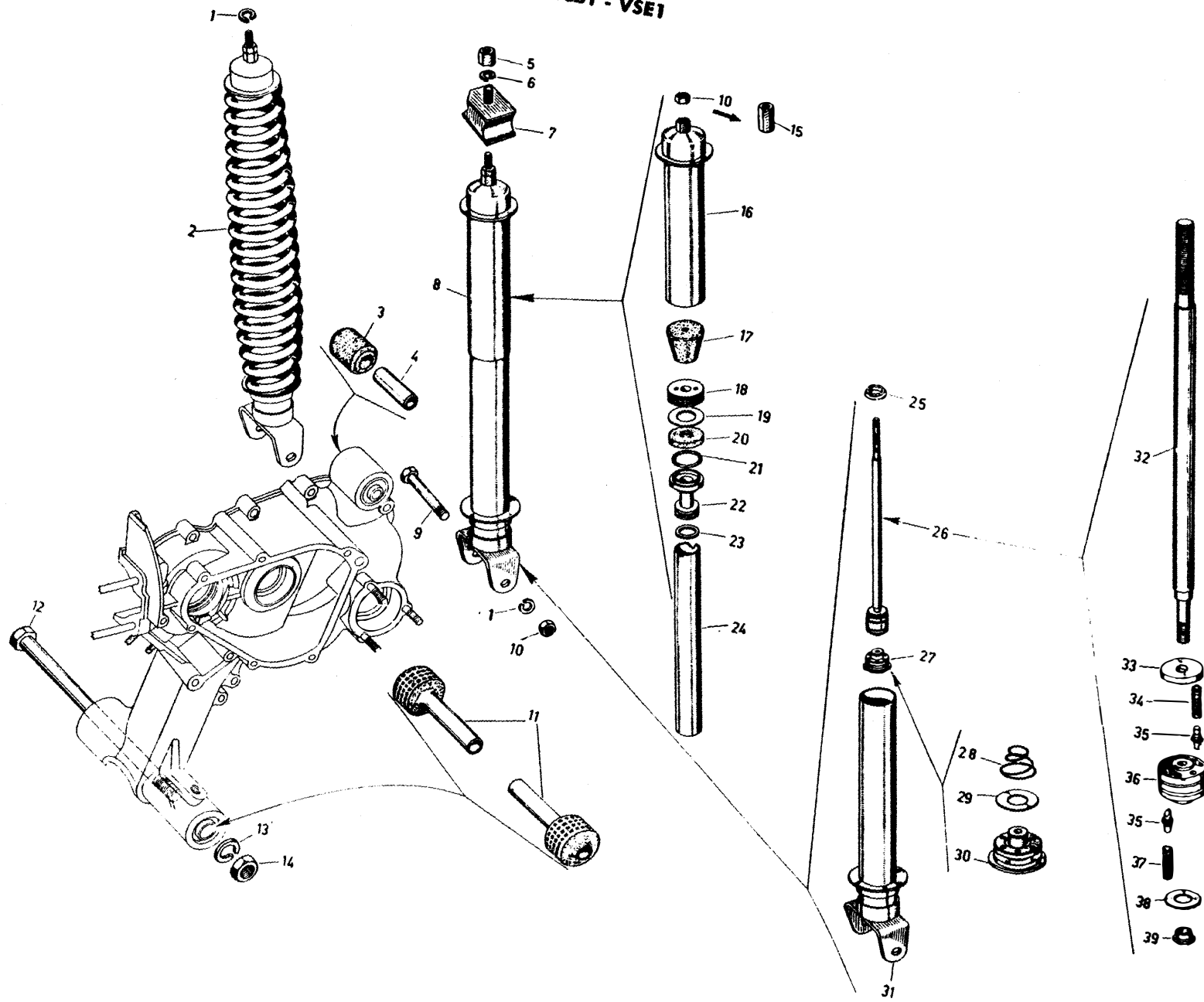


Fig. No.	PART NAME	Valid for	Spare parts	Quantity	Fig. No.	PART NAME	Valid for	Spare parts	Quantity	Fig. No.	PART NAME	Valid for	Spare parts	Quantity
1	Spring washer	All	S. 16409	2	12	Engine sec. bolt	VBC1 - VLB1 VSE1	81803	1	26	Operating rod, assy.	↑ All ↓	70647	1
2	Rear susp. spring	V9A1-VMA2 VBC1 - VLB1	70646	1	13	Spring washer	V9A1 VMA2	S. 16410	1	27	Valve, assy.		70641	1
2	Rear susp. spring	VSE1	73758	1	13	Spring washer	VBC1 - VLB1 VSE1	S. 16414	1	28	Valve spring		70638	1
3	Damper buffer	↑ V9A1-VMA2	40316	1	14	Nut	V9A1 VMA2	S. 20110	1	29	Washer		70638	1
4	Damper sec. tube	↓	94727	1	14	Nut	VBC1 - VLB1 VSE1	S. 21214	1	30	Valve		70638	1
5	Nut	↑	S. 15248	1	15	Spacer	VBC1	70634	1	31	Damper body		70638	1
6	Spring washer	All	S. 16408	1	15	Spacer	VLB1 - VSE1	70642	1	32	Operating rod		70641	1
7	Spring bracket	↓	60536	1	16	Outer sleeve	↑ All	70635	1	33	Upper washer		S. 6018	1
8	Rear damper, assy.	V9A1-VMA2	150450 a)	1	17	Buffer	↓	150264	1	34	Upper spring		22827	1
8	Rear damper, assy.	VBC1	112166 a)	1	18	Ring nut	V9A1-VMA2 VBC1 - VLB1	112074	1	35	Pin		17285	4
8	Rear damper, assy.	VLB1	150451 a)	1	18	Ring nut	VSE1	150396	1	36	Piston		93468	1
8	Rear damper, assy.	VSE1	150397 a)	1	19	Packing	↑	151471	1	37	Lower spring		32812	2
9	Lower bolt	↑ All	S. 14689	1	20	Oil seal	↑ All	111859	1	38	Washer	S. 13768	1	
10	Damper sec. nut	↓	S. 20209	2	21	Plain washer	↓ All	S. 6733	1	39	Cup nut	17122	1	
11	Buffer	↑ V9A1-VMA2	112204	2	22	Guide bush	All	151398	1					
12	Engine sec. bolt	↓	78588	1	23	Packing		S. 6721	1					
					24	Main tube		70640	1					
					25	Plug		48596	1					

a) Parts fig. No.: 1 - 10 - 15 - 16 - 17 - 18 - 19 - 20 - 21 - 22 - 23 - 24 - 25 - 26 - 27 - 31.  
 b) Parts fig. No.: 32 - 33 - 34 - 35 - 36 - 37 - 38 - 39.  
 c) Parts fig. No.: 28 - 29 - 30.

T. XI PROFILE STRIPS - STAND - SILENCER: MOD. VBC1 - VLB1 - VSE1

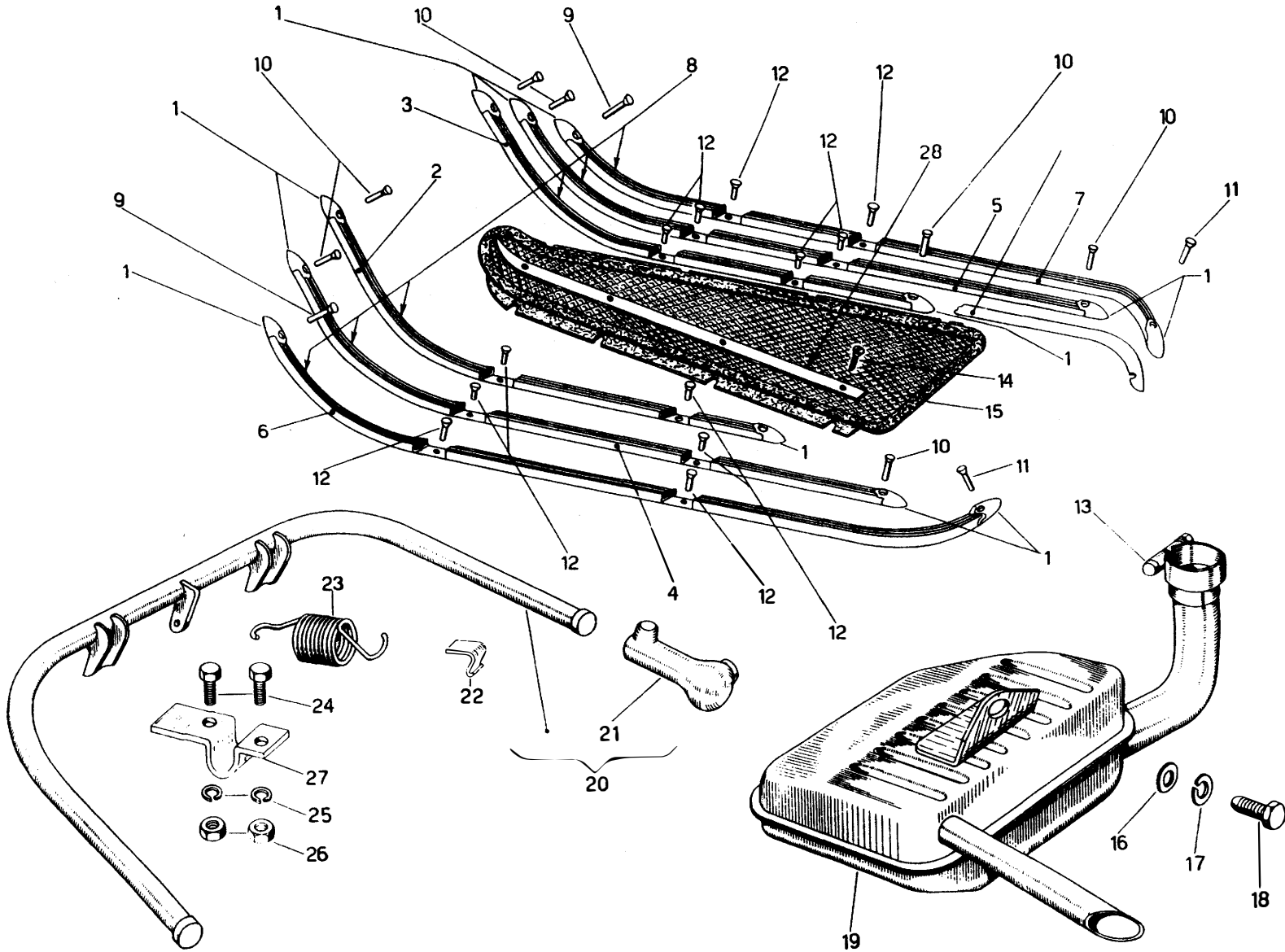


Fig. No.	PART NAME	Valid for	Spare parts	Quantity	Fig. No.	PART NAME	Valid for	Spare parts	Quantity	Fig. No.	PART NAME	Valid for	Spare parts	Quantity
1	Terminal pads for profile	VBC1	<b>98668</b>	12	9	Terminal pad rivet	VBC1 - VLB1	<b>S. 10868</b>	2	21	R. H. stand pad	↑ All ↓	<b>54146</b>	1
1	Terminal pads for profile	VLB1 - VSE1	<b>73405</b>	12	9	Terminal pad rivet	VSE1	<b>S. 10881</b>	2	21	L. H. stand pad		<b>54147</b>	1
2	L. H. inner strip	VBC1	<b>73422</b>	1	10	Rivet for inner profile strips	↑	<b>S. 10869</b>	8	22	Plate for sec. spring		<b>77252</b>	1
2	L. H. inner strip	VLB1 - VSE1	<b>73404</b>	1	11	Rivet for outer profile strips	All	<b>S. 10881</b>	2	23	Central spring		<b>47872</b>	1
3	R. H. inner strip	VBC1	<b>73421</b>	1	12	Inner rivet for sec. strips	↓	<b>S. 10805</b>	20	24	Stand sec. bolt		<b>S. 31089</b>	4
3	R. H. inner strip	VLB1 - VSE1	<b>73403</b>	1	13	Silencer sec. strap	VBC1 - VLB1	<b>130291</b> *)	1	25	Spring washer		<b>S. 16406</b>	4
4	L. H. middle strip	VBC1	<b>73420</b>	1	14	Self tapping screw	↑	<b>S. 15727</b>	8	26	Nut		<b>S. 20006</b>	4
4	L. H. middle strip	VLB1 - VSE1	<b>73402</b>	1	15	Rubber mat	All	<b>85072</b>	1	27	R. H. bracket		<b>59188</b>	1
5	R. H. middle strip	VBC1	<b>73419</b>	1	16	Plain washer	↓	<b>S. 3060</b>	1	27	L. H. bracket		<b>59189</b>	1
5	R. H. middle strip	VLB1 - VSE1	<b>73401</b>	1	17	Spring washer	VBC1 - VLB1	<b>S. 16410</b>	1	28	R. H. mat retainer strip		<b>85073</b>	1
6	L. H. outer strip	VBC1	<b>100842</b>	1	18	Silencer sec. bolt	↓	<b>S. 12306</b>	1	28	L. H. mat retainer strip	<b>85074</b>	1	
6	L. H. outer strip	VLB1 - VSE1	<b>73400</b>	1	19	<b>Silencer, assy.</b>	VBC1	<b>131869</b> a, *)	1					
7	R. H. outer strip	VBC1	<b>100841</b>	1	19	<b>Silencer, assy.</b>	VLB1	<b>124046</b> a, *)	1					
7	R. H. outer strip	VLB1 - VSE1	<b>73399</b>	1	20	<b>Central stand and pads</b>	VBC1	<b>100852</b> b)	1					
8	Rubber prof. strip	VBC1	<b>97237</b>	*	20	<b>Central stand and pads</b>	VLB1 - VSE1	<b>91047</b> b)	1					
8	Rubber prof. strip	VBC1 - VLB1	<b>94625</b>	*										

a) With part fig. No.: 13.

b) With part fig. No.: 21.

\*) Request by yards.

\*) For the silencer of vehicle Mod. VSE1, see T. IX/1 fig. 36.

STEERING COLUMN - MUDGUARD - WHEEL HUB : MOD. VBC1 - VLBI - VSE1

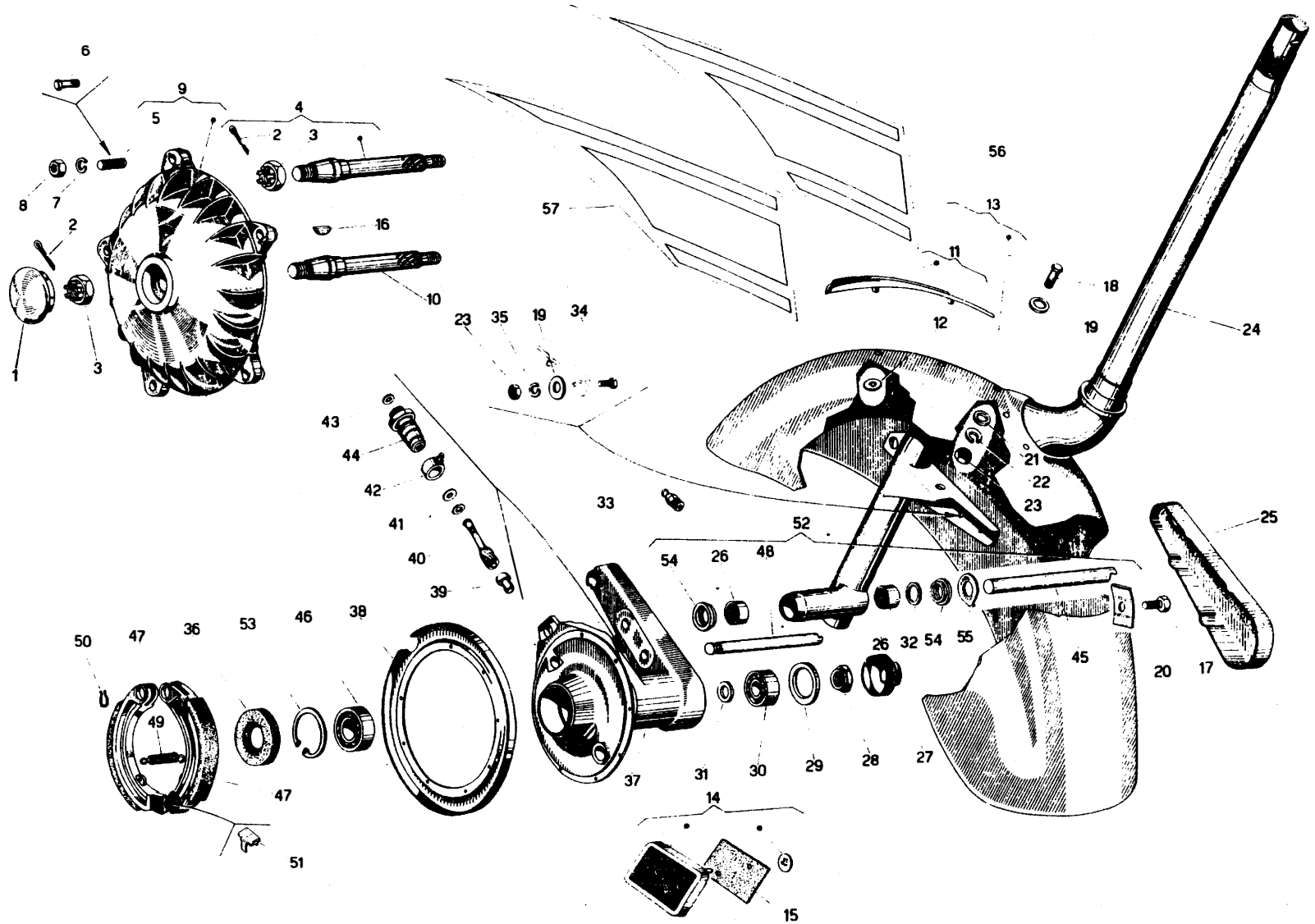


Fig. No.	PART NAME	Valid for	Spare parts	Quantity	Fig. No.	PART NAME	Valid for	Spare parts	Quantity	Fig. No.	PART NAME	Valid for	Spare parts	Quantity	
1	Brake drum plug	VBC1	111571	1	10	Front wheel axle	VLB1 - VSE1	78741	1	18	Bolt	↑ All ↓	S. 31059	2	
1	Brake drum plug	VLB1 - VSE1	92517	1	11	Crest with washer	VBC1	150070 c)	1	19	Plain washer		97733	6	
2	Split pin	↑ All ↓	S. 12787	1	11	Crest with washer	VLB1	124708 c)	1	20	Pivot securing plate		75604	1	
3	Collar nut		S. 2314	1	11	Crest with washer	VSE1	137422 c)	1	21	Plain washer		S. 3055	2	
4	Front wheel axle	VBC1	153179 a)	1	12	Spring washer	All	85508	2	22	Spring washer		S. 16405	2	
5	Stud	VLB1 - VSE1	85914	5	13	Mudguard	VBC1	100820	1	23	Mudguard sec. nut		S. 20105	4	
6	Bolt	VBC1	S. 15539	4	13	Mudguard	VLB1 - VSE1	120604	1	24	Steering column		VBC1	152332	1
7	Spring washer	All	S. 16408	5	14	Reflector	↑ All ↓	142861 c)	2	24	Steering column		VLB1 - VSE1	152339	1
8	Nut for securing wheel	VLB1 - VSE1	S. 20108	5	15	Packing		142901	2	25	Hub cover		↑ All ↓	79227	1
9	Brake drum	VBC1	110470	1	16	Key		267	1	26	D. C. roller bearing			152387	2
9	Brake drum	VLB1 - VSE1	78744 b)	1	17	Bolt for sec. pins		S. 31087	1	27	Bearing retainer nut		78743	1	

**T. XII**

Fig. No.	PART NAME	Valid for	Spare parts	Quantity	Fig. No.	PART NAME	Valid for	Spare parts	Quantity	Fig. No.	PART NAME	Valid for	Spare parts	Quantity
28	Axle retainer nut	↑ All ↓	<b>2443</b>	1	37	<b>Wheel hub</b>	↑ VLB1 - VSE1 ↓	<b>78724</b> d)	1	47	<b>Brake jaw</b>	VBC1	<b>91058</b> e)	2
29	Washer		<b>2007</b>	1	38	Dust cover		<b>78726</b>	1	47	<b>Brake jaw</b>	VLB1 - VSE1	<b>26832</b> e)	2
30	Ball bearing		<b>2800</b>	1	39	Centre pin	All	<b>2/8440</b>	1	48	Hub pivot pin	All	<b>2/78734</b>	1
31	Spacer washer		<b>15982</b>	1	40	Speed. drive pinion	VBC1	<b>93525</b>	1	49	Return spring	VBC1	<b>25990</b>	1
32	Packing		<b>S. 6716</b>	2	40	Speed. drive pinion	VLB1 - VSE1	<b>98652</b>	1	49	Return spring	VLB1 - VSE1	<b>89993</b>	1
33	Grease nipple		<b>2/19556</b>	2	41	Washer	↑ All ↓	<b>S. 13863</b>	1 ÷ 2	50	Spring clip	All	<b>61</b>	1
34	Bolt	VBC1 - VLB1	<b>S. 14467</b>	2	42	Grease ring		<b>83883</b>	1	51	Plate	VBC1	<b>90878</b>	1
34	Bolt	VSE1	<b>S. 15123</b>	2	43	Washer		<b>S. 13862</b>	1	51	Plate	VLB1 - VSE1	<b>24410</b>	1
35	Lock washer	↑ All ↓	<b>S. 12528</b>	2	44	Drive pinion hous.	↑ All ↓	<b>83880</b>	1	52	<b>Group wheel pivot</b>	↑ All ↓	<b>91621</b> f)	1
36	Oil seal		<b>S. 8722</b>	1	45	Pivot pin		<b>2/78731</b>	1	53	Spring ring		<b>5141</b>	1
37	<b>Wheel hub</b>	VBC1	<b>78723</b> d)	1	46	Ball bearing		<b>2802</b>	1	54	Roller retainer bush		<b>99474</b>	2



Fig. No.	PART NAME	Valid for	Spare parts	Quantity	Fig. No.	PART NAME	Valid for	Spare parts	Quantity	Fig. No.	PART NAME	Valid for	Spare parts	Quantity
55	Shoulder washer	All	78735	1										
56	R. H. orn. piece for mudguard	↑ VSE1 ↓	141773 g)	1										
56	R. H. orn. piece for mudguard		141779 h)	1										
57	L. H. orn. piece for mudguard		141776 g)	1										
57	L. H. orn. piece for mudguard		141782 h)	1										

- a) With parts fig. No.: 2 - 3.
- b) With part fig. No.: 5.
- c) With part fig. No.: 12.
- d) With parts fig. No.: 38 - 39.
- e) With part fig. No.: 51.
- f) With parts fig. No.: 26 - 32 - 45 - 54 - 55.
- g) For mudguard painted red canyon 921.
- h) For mudguard painted Polaris 111 colour.

T. XII/1 STEERING COLUMN - MUDGUARD - WHEEL HUB: MOD. V9A1 - VMA2

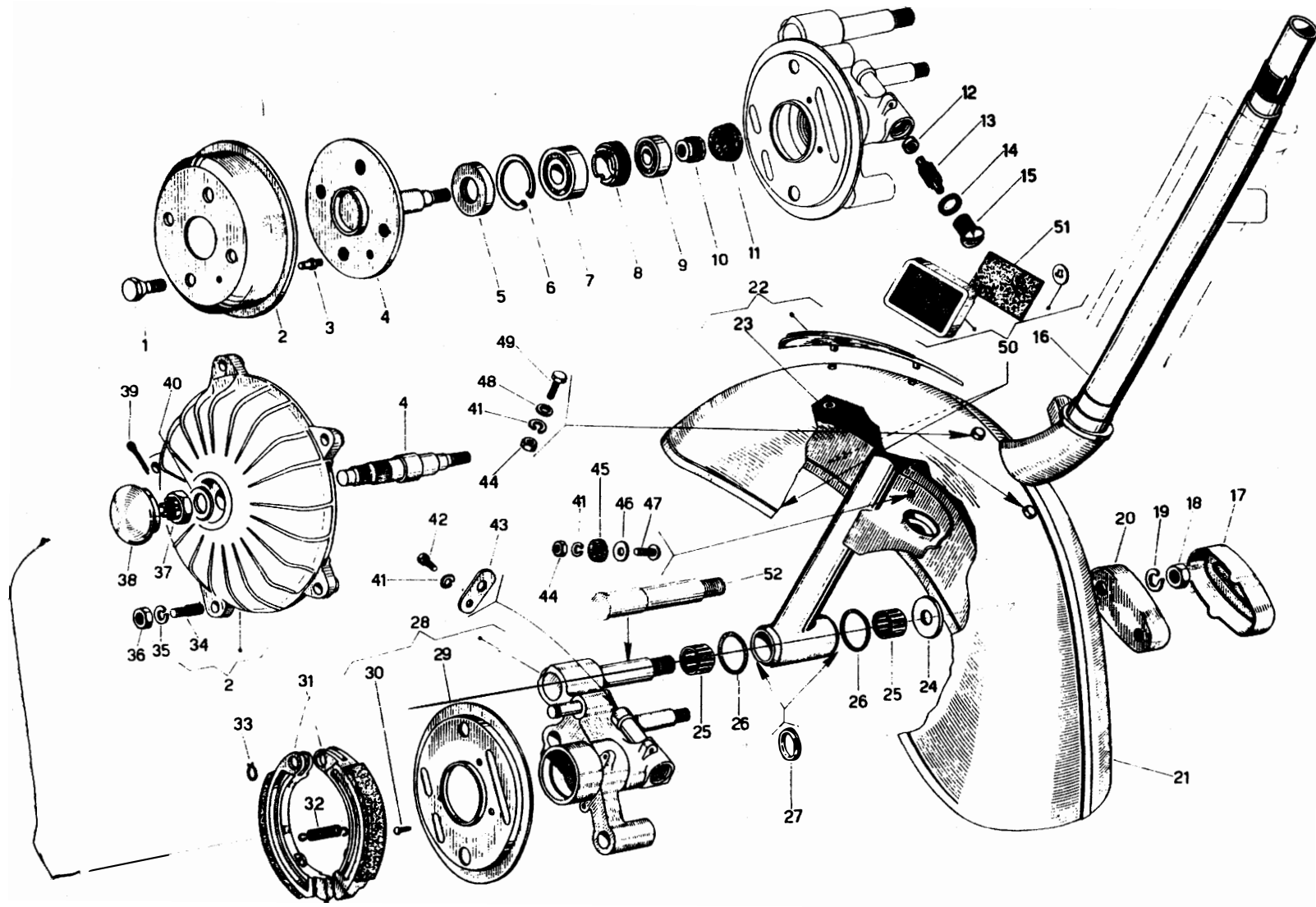


Fig. No.	PART NAME	Valid for	Spare parts	Quantity	Fig. No.	PART NAME	Valid for	Spare parts	Quantity	Fig. No.	PART NAME	Valid for	Spare parts	Quantity
1	Wheel sec. bolt	↑	<b>70156</b>	4	18	Steering column sec. nut	↑	<b>S. 15222</b>	1	37	Drum sec. nut	↑	<b>S. 2314</b>	1
2	Front brake drum	V9A1	<b>99304</b>	1	19	Spring washer	All	<b>S. 16412</b>	1	38	Brake drum plug	↑	<b>92517</b>	1
2	Front brake drum	VMA2	<b>130137</b>	1	20	Front hub box	↓	<b>70176</b>	1	39	Drum sec. splint pin	VMA2	<b>S. 12787</b>	1
3	Dowel	↑	<b>70542</b>	1	21	Front mudguard	↓	<b>91323</b>	1	40	Drum sec. plain washer	↓	<b>S. 13879</b>	1
4	Front wheel axle	V9A1	<b>99107</b>	1	22	<b>Crest with washer</b>	↑	<b>150070</b>	1	41	Spring washer	↑	<b>S. 16405</b>	4
4	Front wheel axle	VMA2	<b>100483</b>	1	23	Crest sec. spring plate	VMA2	<b>85508</b>	2	42	Plate sec. screw	↓	<b>S. 31056</b>	1
5	Oil seal	V9A1	<b>S. 8722</b>	1	24	Steering sec. plain washer	↓	<b>57944</b>	1	43	Sheath sec. plate	↑	<b>57938</b>	1
5	Oil seal	VMA2	<b>128217</b>	1	25	Bearing bush	↑	<b>121095</b>	2	44	Mudguard sec. nut	↑	<b>S. 20105</b>	3
6	Spring ring	↑	<b>5141</b>	1	26	Steering packing	↑	<b>93188</b>	2	45	Mudguard sec. spacer	↑	<b>99335</b>	1
7	Ball bearing	↑	<b>2802</b>	1	27	Oil seal	↑	<b>150579</b>	2	46	Mudguard sec. plain washer	↑	<b>97733</b>	1
8	Bearing retainer nut	↑	<b>57940</b>	1	28	<b>Front wheel hub</b>	All	<b>79152</b>	1	47	Mudguard sec. screw	All	<b>S. 15123</b>	1
9	Ball bearing	↑	<b>2800</b>	1	29	Dust cover front brake	↑	<b>79154</b>	1	48	Plain washer	↑	<b>S. 3055</b>	2
10	Speedometer control gear	↑	<b>151615</b>	1	30	Plate sec. rivet	↑	<b>S. 10870</b>	3	49	Mudguard sec. bolt	↑	<b>S. 31059</b>	2
11	Hub cover	↑	<b>71053</b>	1	31	Front brake jaw	↑	<b>91058</b>	2	50	<b>Reflector</b>	↑	<b>142861</b>	2
12	Buffer for sheath	All	<b>57939</b>	1	32	Sprint for jaws	↑	<b>25990</b>	1	51	Packing	↑	<b>142901</b>	2
13	Speedometer control gear	↑	<b>151614</b>	1	33	Circlip	↓	<b>61</b>	1	52	Pivot supp. front wheel	↓	<b>70181</b>	1
14	Packing for ring nut	↑	<b>57941</b>	1	34	Stud for brake drum	↑	<b>85914</b>	5					
15	Ring nut for speedometer pinion	↑	<b>57935</b>	1	35	Wheel sec. spring washer	VMA2	<b>S. 16408</b>	5					
16	Steering column	↑	<b>152329</b>	1	36	Wheel sec. nut	↓	<b>S. 20108</b>	5					
17	Hub cup	↓	<b>70177</b>	1										

a) With part fig. No.: 34.

b) With part fig. No.: 23.

c) With parts fig. No.: 29 - 30 - 52.



Fig. No.	PART NAME	Valid for	Spare parts	Quantity	Fig. No.	PART NAME	Valid for	Spare parts	Quantity	Fig. No.	PART NAME	Valid for	Spare parts	Quantity	
1	Lower buffer	V9A1 VMA2	<b>57893</b>	1	10	Damper sec. nut, lower	V9A1 VMA2	<b>S.20108</b>	1	17	Lower track of upper bearing	↑          All          ↓	<b>56641</b>	1	
1	Lower buffer	VBC1 - VLB1 VSE1	<b>136554</b>	1	10	Damper sec. nut, lower	VBC1 - VLB1 VSE1	<b>S. 20210</b>	1	18	Bearing ball cage		<b>77024</b>	1	
2	Buffer sleeve	V9A1 VMA2	<b>57892</b>	1						19	Upper track ring nut		<b>55986</b>	1	
3	Buffer sleeve	↑     ↓	<b>110276</b>	1	11	Plain washer	V9A1 VMA2	<b>57943</b>	1	20	Lock washer		<b>3751</b>	1	
4	Buffer sleeve		<b>30566</b>	1	11	Plain washer	↑ VBC1 - VLB1 VSE1 ↓	<b>S. 3060</b>	1	21	Ring nut, upper		<b>11109</b>	1	
5	Upper buffer		<b>30567</b>	1	12	Damper bolt, lower		<b>9142</b>	1	22	<b>Security lock housing</b>		<b>152096</b> (. Δ)	1	
6	Damper trunnion		VBC1 - VLB1 VSE1	<b>17118</b>	1	13	Dust cover	↑   ↓	<b>19264</b>	1	23		Cover	<b>152097</b>	1
7	Damper sec. bolt, upper		↓	<b>9141</b>	1	14	Inner track of lower bearing		<b>55989</b>	1	24		Pin for cover	<b>152099</b>	1
8	Spring washer	<b>S. 3111</b>		1	15	Bearing ball cage of lower track	All		<b>77023</b>	1	25		Key	<b>120329</b>	1
9	Spring washer	V9A1 VMA2	<b>S. 16408</b>	2						26	Nut		VBC1 - VLB1 VSE1	<b>S. 20108</b>	1
9	Spring washer	VBC1 - VLB1 VSE1	<b>S. 16410</b>	1	16	Outer track of lower bearing		<b>92667</b>	1						

T. XIII

Fig. No.	PART NAME	Valid for	Spare parts	Quantity	Fig. No.	PART NAME	Valid for	Spare parts	Quantity	Fig. No.	PART NAME	Valid for	Spare parts	Quantity
27	Spring washer	VBC1 - VLB1 VSE1	S. 16408	1	35	Grease nipple	VBC1 - VLB1 VSE1	2/19556	1	45	Hub	VBC1 - VLB1 VSE1	2/35581	1
28	Upper plate	V9A1 - VMA2	98538	1	36	Adjuster screw	↑ All ↓	90527	1	46	Brake control pivot	↑	41586	1
28	Upper plate	VBC1 - VLB1 VSE1	2/35623	1	37	Nut		S. 20105	1	47	Brake control lever		VLB1 - VSE1	131941
29	Front suspens. spring	V9A1 VMA2	70072	1	38	Bolt		2036	1	48	Split pin	↓	S. 3208	1
29	Front suspens. spring	↑	79716	1	39	Pivot pin		90305	1	49	Front damper, assy.		V9A1 VMA2	137936 b)
30	Nut		VBC1 - VLB1 VSE1	S. 20109	1	40		Brake link	83608	1	49	Front damper, assy.	↑	137571 c)
31	Spring washer	↓	S. 16409	1	41	Brake link		97108	1	50	Sleeve	VBC1 - VLB1 VSE1		136563
32	Lower plate		V9A1 VMA2	S. 14006	2	42		Splint pin	S. 12761	1	51	Bearing ball track, lower	↑	153024 d)
33	Packing	↑	S. 6716	2	43	Nut		S. 20207	1	52	Bearing ball track, upper	VBC1 - VLB1 VSE1		153025 e)
33	Packing		VBC1 - VLB1 VSE1	S. 13775	2	44	Brake control lever	V9A1 VMA2	57945	1	53	Spring washer for lock	All	152098
34	Plain washer	VBC1	131942	1	44	Brake control lever	VBC1	131942	1					

Fig. No.	PART NAME	Valid for	Spare parts	Quantity	Fig. No.	PART NAME	Valid for	Spare parts	Quantity	Fig. No.	PART NAME	Valid for	Spare parts	Quantity
54	Spring	↑	<b>152195</b>	1										
		All												
55	Packing for security lock	↓	<b>122296</b>	1										
56	Nut	↑	<b>S. 12139</b>	1										
57	Outer sleeve		<b>57895</b>	1										
58	Damper sec. nut, upper	V9A1 VMA2	<b>S. 21108</b>	1										
59	Plain washer		<b>55040</b>	1										
60	Upper buffer	↓	<b>57012</b>	2										
61	Washer	VBC1 - VLB1 VSE1	<b>136982</b>	1										
62	Brake lever return spring	V9A1 VMA2	<b>128281</b>	1										
63	Brake lever return spring	VBC1 - VLB1 VSE1	<b>128210</b>	1										

- a) With part fig. No.: 25.
- b) With parts fig. No.: 1 - 2 - 28 - 56.
- c) With parts fig. No.: 1 - 3 - 4 - 5 - 6 - 50 - 61.
- d) With parts fig. No.: 13 - 14 - 15 - 16.
- e) With parts fig. No.: 17 - 18 - 19 - 20 - 21.

▲) As spare parts we supply also the couple of security locks for steering and lateral cowl, part No. ~~114431-131~~ 131 made of the parts of fig. 34 T. IX and fig. 39 T. XIII.

T. XIV

HANDLEBARS: MOD. V9A1 - VMA2 - VBC1 - VLB1 - VSE1

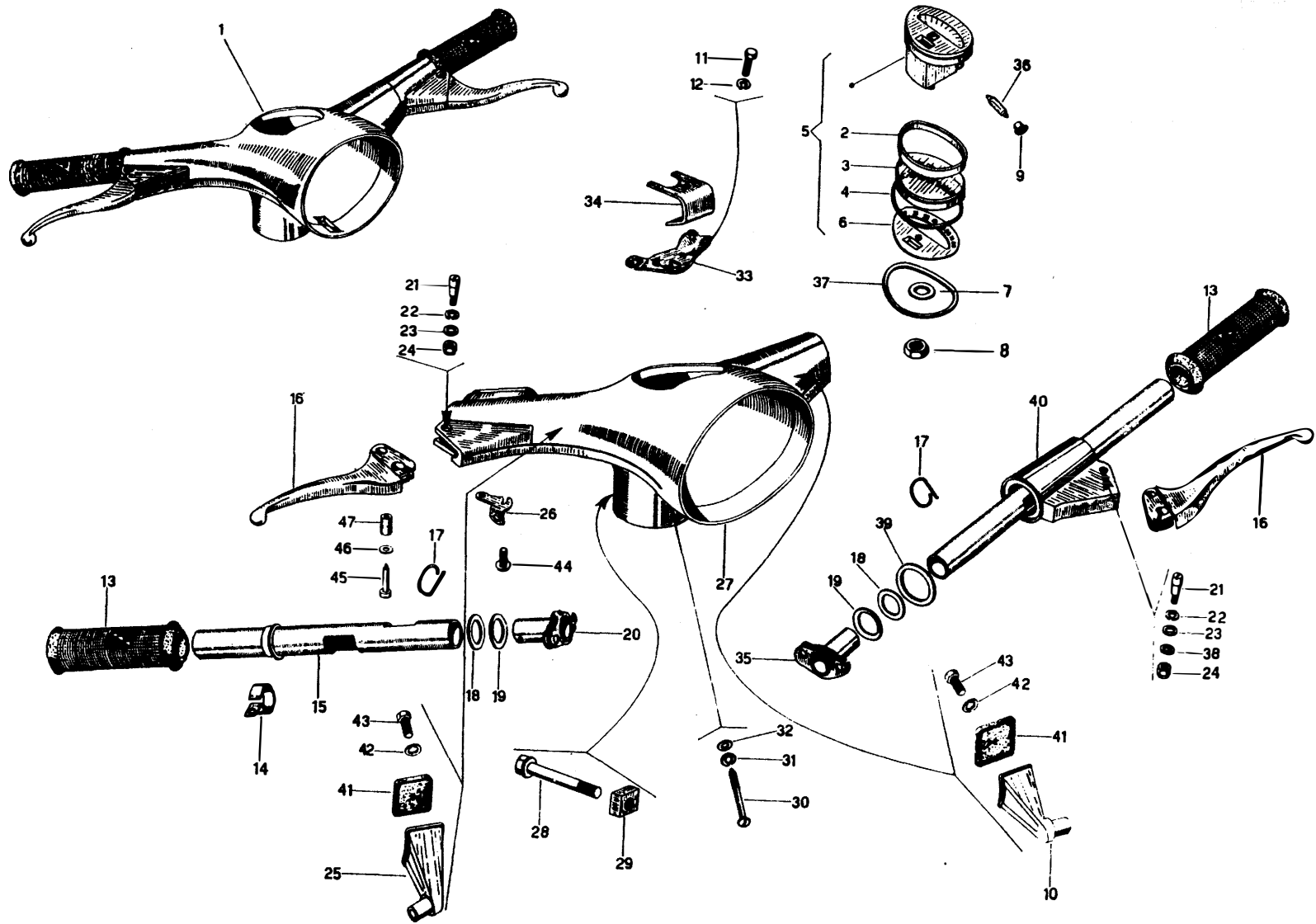




Fig. No.	PART NAME	Valid for	Spare parts	Quantity	Fig. No.	PART NAME	Valid for	Spare parts	Quantity	Fig. No.	PART NAME	Valid for	Spare parts	Quantity
1	Handlebars, assy.	V9A1	145261 <sup>a)</sup>	1	16	Brake control lever	↑	127170	1	35	Lever housing (gear side)	V9A1	101193	1
1	Handlebars, assy.	VMA2 VBC1 - VLB1	137802 <sup>a)</sup>	1	16	Clutch control lever	↑	120487	1	35	Lever housing (gear side)	VMA2 - VBC1 VLB1 - VSE1	101192	1
1	Handlebars, assy.	VSE1	137847 <sup>a)</sup>	1	17	Spring	All	97356	2	35	Lever housing (gear side)	VMA2 - VBC1 VLB1 - VSE1	101192	1
2	Speedometer rim	↑	151837 <sup>a)</sup>	1	18	Plain washer	↓	70568	2	36	Speedometer bulb	↑	81862	1
3	Glass	All	100619	1	19	Spring washer	↓	60565	2	37	Speedometer packing	↑	100618	1
4	Packing	↓	151836	1	20	Lever housing (throttle side)	V9A1 VMA2 VBC1 - VLB1	70573	1	37	Speedometer packing	All	97733	1
5	Speedometer (mls)	V9A1 VMA2 VBC1	151307 <sup>b)</sup>	1	20	Lever housing (throttle side)	VSE1	137299	1	38	Plain washer	↓	70858	1
5	Speedometer (mls)	VLB1 - VSE1	121052 <sup>b)</sup>	1	21	Lever sec. screw	↑	150235	2	39	Shoulder washer	↓	145262	1
6	Dial - plate (top - values 80 mls.)	V9A1 VMA2 VBC1	120265	1	22	Spring washer	↑	17492	2	40	Gear shift sleeve	V9A1	145262	1
6	Upper dial - plate,	↑	121633	1	23	Plain washer	All	97734	2	40	Gear shift sleeve	VMA2 VBC1 VLB1 - VSE1	137804	1
6	Dial - plate (silk - screen processed)	VLB1 - VSE1 ↓	121635	1	24	Lever sec. nut	↓	S. 12136	2	41	Packing	↑	137790	2
7	Plain washer	↑	S. 13920	1	25	R. H. trafficator bracket	↓	137735	1	42	Spring washer	↑	S. 12533	2
8	Speedometer housing sec. nut	↑	S. 12113	1	26	Stop switch bracket	↓	126927	1	43	Bolt	↑	S. 31088	2
9	Bulbs holder	↑	100998	1	27	Handlebars housing	V9A1 VMA2 VBC1 - VLB1	137803	1	44	Screw adj. stop switch bracket	All	S. 10028	1
10	L. H. trafficator bracket	↑	137736	1	27	Handlebars housing	VSE1	137848	1	45	Screw	↓	6777	1
11	Plate sec. bolt	All	S. 31056	2	28	Handlebars sec. bolt	↑	S. 15542	1	46	Plain washer	↓	S. 3055	3
12	Washer	↑	S. 12528	2	29	Handlebars sec. nut	↑	70620	1	47	Spacer	↓	126929	1
13	Twist grip	↑	141923	2	30	Speedometer sec. screw	All	70583	1					
14	Irreversible spring	↑	71039	1	31	Spring washer	↓	S. 16405	1					
15	Twist grip throttle sleeve	↓	70589	1	32	Plain washer	↓	S. 3055	1					
					33	Sheath sec. plate	↓	73555	1					
					34	Securing plate	↓	100617	1					

a) Parts fig. No.: 10 - 11 - 12 - 13 - 14 - 15 - 16 - 17 - 18 - 19 - 20 - 21 - 22 - 23 - 24 - 25 - 27 - 28 - 29 - 33 - 35 - 38 - 39 - 40 - 41 - 42 - 43 and earth wire.  
 b) With parts fig. No.: 2 - 3 - 4 - 6 - 7 - 8 - 9 - 34.

T. XV

TRANSMISSIONS: MOD. VBC1 - VLB1 - VSE1

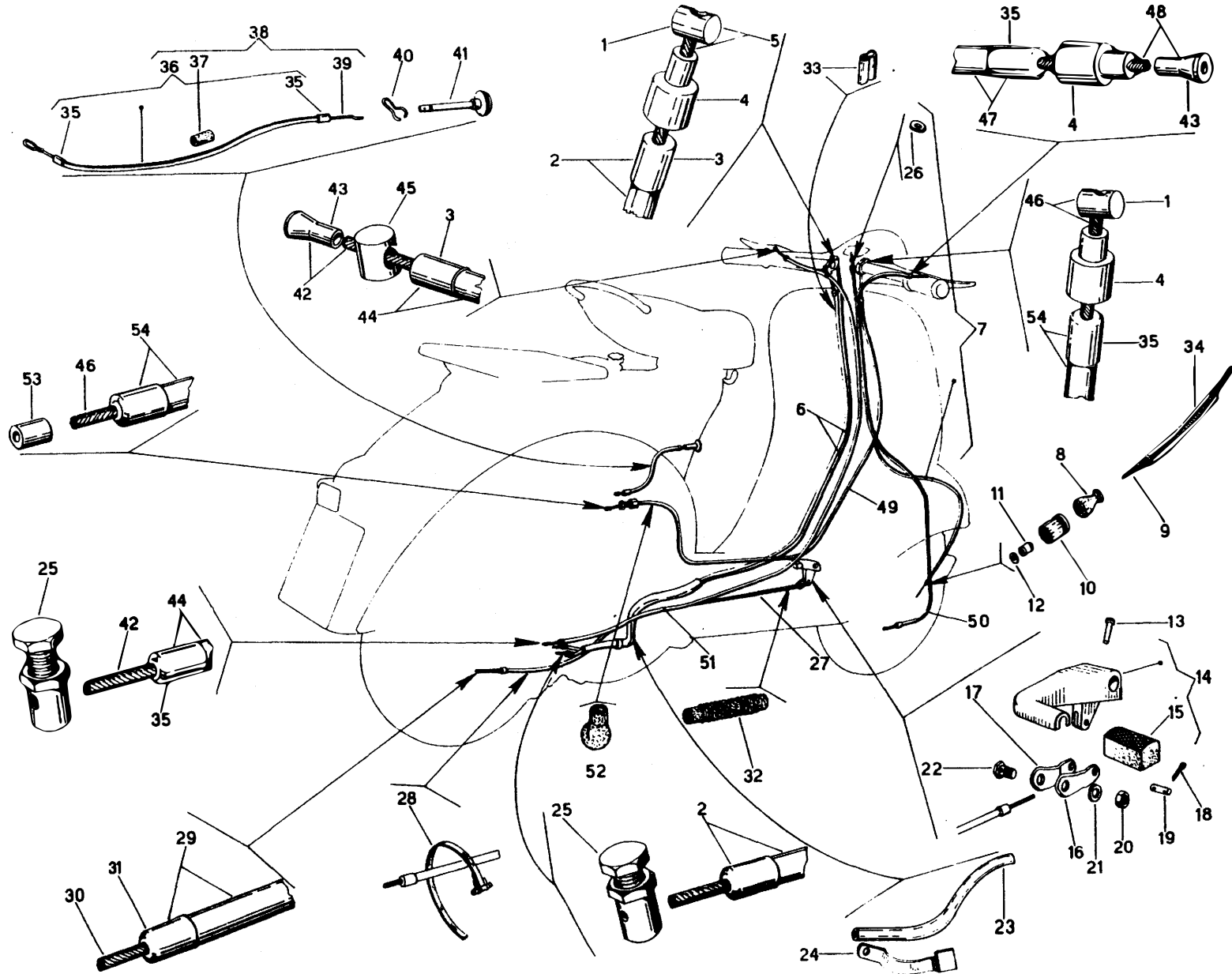


Fig. No.	PART NAME	Valid for	Spare parts	Quantity	Fig. No.	PART NAME	Valid for	Spare parts	Quantity	Fig. No.	PART NAME	Valid for	Spare parts	Quantity
1	Nipple for cable	↑ All ↓	14657	3	25	Cable screw terminal	↑	153198	3	45	End ferrule	↑	18699	2
2	Cable hose and cap		90513	2	26	Washer	All	97756	1	46	Throttle control cable	↑	143851	1
3	Cable and cap		94171 <sup>a)</sup>	6	27	Rear brake cable assy.	↓	93953 <sup>g)</sup>	1	47	Front brake sheath	↑	128181 <sup>o)</sup>	1
4	Terminal		90511 <sup>h)</sup>	4	28	Cable clip	VBC1	71673	1	48	Front brake cable	All	128182 <sup>l)</sup>	1
5	Cable with terminal		90419 <sup>b)</sup>	2	28	Cable clip	VLB1 - VSE1	83333	1	49	Throttle cable	↓	123771 <sup>m)</sup>	1
6	Gear transmission		90512 <sup>c)</sup>	2	29	Rear brake cable sheath	↑	93934	1	50	Front brake transmission	↓	123771 <sup>p)</sup>	1
7	Speedometer transmission		99011 <sup>d)</sup>	1	30	Rear brake cable	All	85547	1	50	Front brake transmission	↓	128183 <sup>q)</sup>	1
8	Seal cap		80279	1	31	Cable end cap	↓	23825 <sup>h)</sup>	1	51	Clutch control cable	VBC1	150587 <sup>r)</sup>	1
9	Flexible cable with washer		99014 <sup>e)</sup>	1	32	Protection bellows	↓	57321	1	51	Clutch control cable	VLB1 - VSE1	90425 <sup>r)</sup>	1
10	Ring nut		80280	1	33	Retainer strap	VSE1	90529	1	52	Grommet	↑	48171	1
11	Biconical ring		15718	1	34	Protective sleeve	↑	87402	*	53	Nipple (carb. side)	All	143849	1
12	Washer		S. 13862	1	35	Cable end cap	↓	2174 <sup>h)</sup>	6	54	Throttle control sheath	↓	90414 <sup>l)</sup>	1
13	Pedal retainer pin		S. 11510	1	36	Starter cable sheath	↑	104291 <sup>i)</sup>	1					
14	Rear brake pedal		94451 <sup>f)</sup>	1	37	Rubber sleeve	All	77055	1					
15	Rubber pad	93100	1	38	Starter cable group	↓	104292 <sup>i)</sup>	1						
16	R. H. brake link	92794	1	39	Cable	↓	152310	1						
17	L. H. brake link	92795	1	40	Spring clip	↓	50207	1						
18	Split pin	S. 12761	2	41	Push pull rod	↓	125974	1						
19	Anchor plate	92796	1	42	Clutch cable	VBC1	150589 <sup>m)</sup>	1						
20	Nut for sec. cable	S. 21209	1	42	Clutch cable	VLB1 - VSE1	19061 <sup>m)</sup>	1						
21	Washer	S. 12539	1	43	Nipple	All	2777	2						
22	Bolt	S. 15510	1	44	Clutch sheath	VBC1	150588 <sup>n)</sup>	1						
23	Protective sleeve	90541	*	44	Clutch sheath	VLB1 - VSE1	90417 <sup>n)</sup>	1						
24	Plate sec. transmiss.	82385	1											

- a) With part fig. No.: 3.
- b) With part fig. No.: 1.
- c) With parts fig. No.: 2 - 4 - 5.
- d) With parts fig. No.: 8 - 9 - 10 - 11.
- e) With part fig. No.: 26.
- f) With part fig. No.: 15.
- g) With parts fig. No.: 29 - 30.
- h) The case end caps 94171 - 23825 - 2174 during the assembling should be lightly spot punched.
- i) With part fig. No.: 35.
- l) With parts fig. No.: 36 - 37 - 39.
- m) With part fig. No.: 43.
- n) With part fig. No.: 3.
- o) With part fig. No.: 1.
- p) With parts fig. No.: 4 - 46 - 53 - 54.
- q) With parts fig. No.: 4 - 45 - 47 - 48.
- r) With parts fig. No.: 42 - 44.
- \*) Request by yards.

T. XV/1 TRANSMISSIONS - REAR BRAKE PEDAL: MOD. V9A1 - VMA2

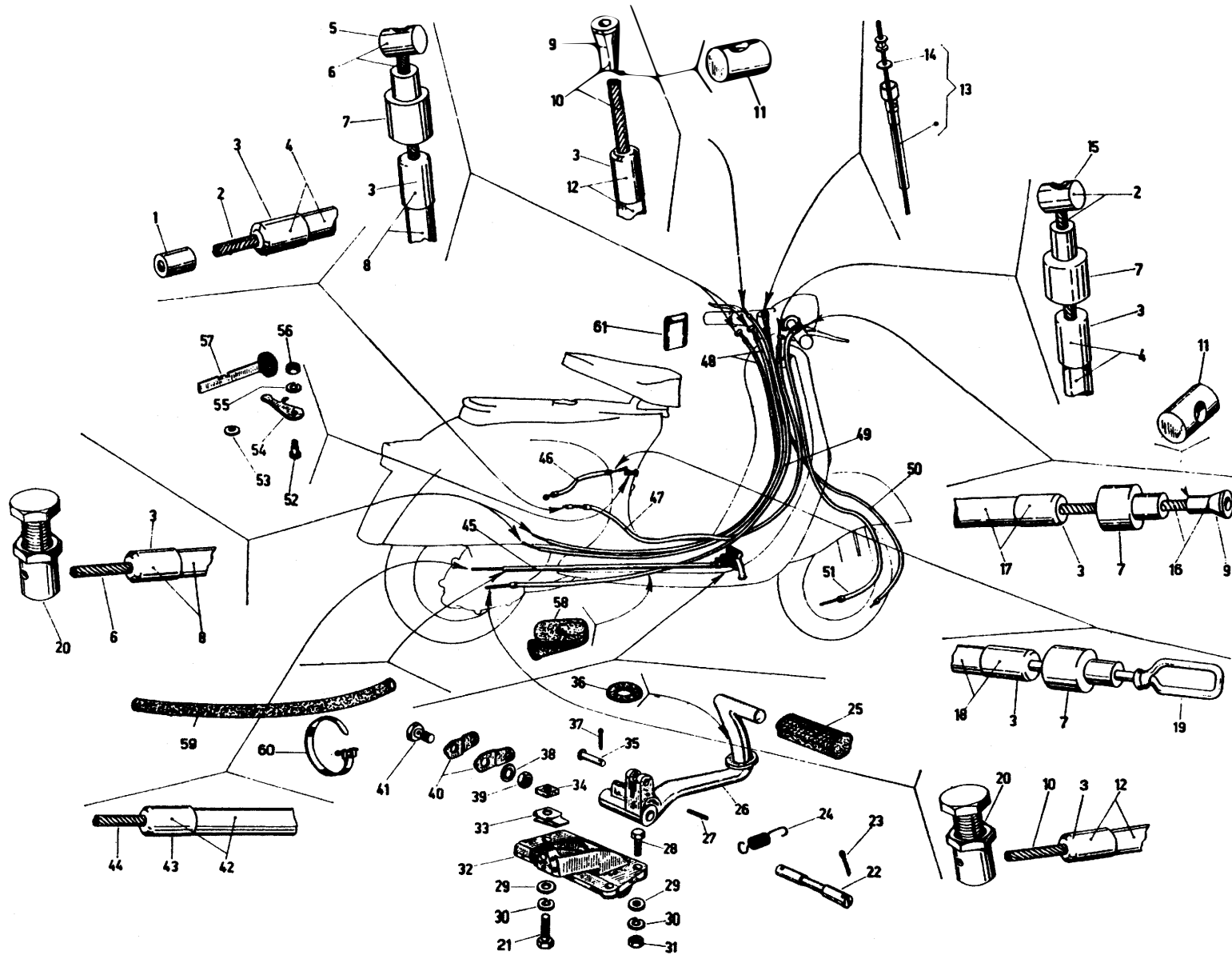


Fig. No.	PART NAME	Valid for	Spare parts	Quantity	Fig. No.	PART NAME	Valid for	Spare parts	Quantity	Fig. No.	PART NAME	Valid for	Spare parts	Quantity
1	Nipple, carburettor side	↑ All ↓	143849	1	10	Clutch cable	↑ All ↓	120012 d)	1	18	Starter sheath	VMA2	152393 b)	1
2	Throttle control cable		70891 a)	1	11	Nipple for clutch and front brake transmissions		18699	2	19	Starter cable	↑ All ↓	98220	1
3	Cable end cap		2174	12	12	Clutch sheath		150321 b)	1	20	Nipple screw		153198	3
4	Throttle sheath		70892 b)	1	13	Speedometer (MIs) trasmission		97755 e)	1	21	Pedal support securing bolt		S. 31089	1
5	Cable nipple		14657	2	14	Speedometer (MIs) transm. washer		97756	1	22	Rear brake pedal pivot		70122	1
6	Gear change control cable		120015 c)	2	15	Nipple handlebars side		26252	1	23	Pedal pivot split pin		S. 12781	1
7	Cable terminal side handlebars		90511	5	16	Front brake cable		150483 d)	1	24	Pedal spring		70994	1
8	Gear change control sheath		70874 b)	2	17	Front brake sheath		150484 b)	1	25	Rear brake pedal sheath		100426	1
9	Nipple, handlebars side		2777	2	18	Starter sheath		V9A1 70895 b)	1	26	Rear brake pedal		103843	1
								27	Rear brake pedal pin	S. 13021	1			

T. XV/1

Fig. No.	PART NAME	Valid for	Spare parts	Quantity	Fig. No.	PART NAME	Valid for	Spare parts	Quantity	Fig. No.	PART NAME	Valid for	Spare parts	Quantity	
28	Pedal support securing bolt	↑ All ↓	S. 31091	2	38	Spring washer	↑ All ↓	S. 12539	1	46	Starter control transmission	VMA2	152391 h)	1	
29	Plain washer		S. 13880	3	39	Brake cable sec. nut		S. 21209	1	47	Throttle control transmission	↑ All ↓	70890 i)	1	
30	Spring washer		S. 16406	3	40	Brake cable sec. link		42047	2	48	Gear change transmission		120017 l)	2	
31	Pedal support sec. nut		S. 20106	2	41	Brake cable sec. bolt		S. 15510	1	49	Clutch control transmission		120011 m)	1	
32	Brake pedal bracket		103844	1	42	Rear brake control sheath		113726 f)	1	50	Speedometer (MIs) transmission		71059 n)	1	
33	Clip for nut		70146	1	43	Cap for sheath		23825	1	51	Front brake transmission		150485 o)	1	
34	Square nut		70147	1	44	Rear brake control cable		25664	1	52	Pin for starter		78306	1	
35	Pin for link		71165	1	45	Rear brake cable, assy.		113725 s)	1	53	Spring washer		78307	1	
36	Washer		78931	1	46	Starter control transmission		V9A1	98221 h)	1	54		Starter control lever	78305	1
37	Split pin		S. 12761	1											

Fig. No.	PART NAME	Valid for	Spare parts	Quantity	Fig. No.	PART NAME	Valid for	Spare parts	Quantity	Fig. No.	PART NAME	Valid for	Spare parts	Quantity
55	Lever sec. spring washer	↑ All ↓	S. 16406	1										
56	Lever securing nut		S. 20206	1										
57	Starter rod		98568	1										
58	Grommet for transmissions		70219	1										
59	Protective sleeve		87406	*										
60	Strap for cables		97248	1										
61	Gear sheath retainer		90529	1										

- a) With part fig. No.: 15.
- b) With part fig. No.: 3.
- c) With part fig. No.: 5.
- d) With part fig. No.: 9.
- e) With part fig. No.: 14.
- f) With part fig. No.: 43.
- g) Parts fig. No.: 42 - 44.
- h) Parts fig. No.: 7 - 18 - 19.
- l) Parts fig. No.: 1 - 2 - 4 - 7.
- l) Parts fig. No.: 6 - 7 - 8.
- m) Parts fig. No.: 10 - 12.
- n) With part fig. No.: 13.
- o) Parts fig. No.: 7 - 16 - 17.
- \*) Request by yards.
- ) Spot punch on the assembling.





Fig. No.	PART NAME	Valid for	Spare parts	Quantity	Fig. No.	PART NAME	Valid for	Spare parts	Quantity	Fig. No.	PART NAME	Valid for	Spare parts	Quantity	
1	3 way switch	↑ All ↓	114349	1	14	Indicator lamp with bulb holder	↑ All ↓	144978	1	27	Cap	↑ All ↓	20627	1	
2	Headlamp, assy.		114345	1	15	Indicator lamp		81862	1	28	Switch for trafficator lights		144474	1	
3	Headlamp sec. nut		S. 15221	3	16	Key		90919	1	29	Switch sec. screw		S. 14632	2	
4	Headlamp sec. plate		104539	1	17	Nut		41576	1	30	Spacer		144979	1	
5	Headlamp sec. screw		S. 15543	3	18	Washer		41575	1	31	Spring plate		S. 8088	3	
6	Rim sec. screw		S. 15544	3	19	Washer		27072	1	32	Packing		V9A1 VMA2 VBC1 - VLB1	70614	1
7	Packing		114348	1	20	Switch, assy.		144976 b)	1	32	Packing		VSE1	71702	1
8	Rim		114347	1	21	Bolt		S. 31034	1	33	Horn		V9A1 VMA2 VBC1 - VLB1	97890	1
9	Headlamp, assy.		104540 a)	1	22	Plain washer		S. 6126	2	33	Horn		VSE1	71535	1
10	Stop switch sec. nut		S. 15259	1	23	Grommet		85789	1	34	Self tapping screw		All	S. 8431	3
11	Washer		63441	1	24	Spacer		71703	1	35	Switch, assy.		↑ V9A1 VMA2 VBC1 - VLB1 ↓	144972 d)	1
12	Stop switch on the front brake		126899	1	25	Nut		S. 20004	2	36	Cover			90916	1
13	Protection cap		126939	1	26	Thermic switch		144981 c)	1	37	Switch sec. screw			3213	1

T. XVI

Fig. No.	PART NAME	Valid for	Spare parts	Quantity	Fig. No.	PART NAME	Valid for	Spare parts	Quantity	Fig. No.	PART NAME	Valid for	Spare parts	Quantity
38	Switch cover	↑ VSE1 ↓	89285	1	49	Plate	↑ VBC1 - VLB1 VSE1 ↓	93726	3	62	Contact tag R. H.	↑ V9A1 VMA2 ↓	73612	1
39	Switch sec. screw		S. 14404	1	50	Spring		93723	2	63	Contact tag, L. H.		73547	1
40	Switch, assy.		145466 e)	1	51	Plain washer		S. 13890	3	64	Plain washer		S. 3054	1
41	Ignition switch with keys		145469	1	52	Contact tag		137740	1	65	Spring washer		S. 16404	1
42	Fuse holder	↑ All ↓	145234	1	53	Pivot	↑ V9A1 VMA2 ↓	137741	2	66	Bolt	↑ VBC1 - VLB1 VSE1 ↓	S. 31033	1
43	Fuse		2/24967	2	54	Packing		137812	1	67	Stop switch, assy.		73611 h)	1
44	Fuse holder sec. screw	↑ All ↓	S. 10018	2	55	Plug sec. screw	↑ V9A1 VMA2 ↓	S. 8246	2	68	Packing	↑ VBC1 - VLB1 VSE1 ↓	70144	1
45	Packing		145235	1	56	Push button		70140	1	69	Pivot		86323	1
46	Spring washer	↑ All ↓	S. 16405	4	57	Spring	↑ V9A1 VMA2 ↓	70141	1	70	Contact tag	↑ VBC1 - VLB1 VSE1 ↓	93725	1
47	Housing sec. nut		S. 20005	4	58	Washer		55322	1	71	Contact tag		93724	1
48	Contact plug, assy.	↑ VBC1 - VLB1 VSE1 ↓	137739 g)	1	59	Spring	↑ V9A1 VMA2 ↓	141077	1	72	Packing	↑ VBC1 - VLB1 VSE1 ↓	82783	1
			S. 20005	4	60	Contact plate		73546	1	73	Switch sec. screw		S. 8246	2
					61	Spring		55325	1	74	Stop switch, assy.		93722 i)	1

Fig. No.	PART NAME	Valid for	Spare parts	Quantity	Fig. No.	PART NAME	Valid for	Spare parts	Quantity	Fig. No.	PART NAME	Valid for	Spare parts	Quantity	
75	Battery	V9A1 VMA2 VBC1 - VLB1	<b>350617</b>	1	86	Lock washer	↑ All ↓	<b>63441</b>	3						
75	Battery	↑	<b>90592</b>	1	87	Tail lamp sec. bolt		<b>S. 31086</b>	3						
76	Battery cap	VSE1	<b>57110</b>	1	88	Screw		<b>S. 31088</b>	2						
77	Battery cover	↓	<b>57051</b>	1	89	Washer		<b>S. 12533</b>	2						
78	Battery sec. strap	V9A1 VMA2 VBC1 - VLB1	<b>90854</b>	1	90	Tail lamp		<b>142805</b> ●)	1						
79	Pivot	↑	<b>123506</b>	1	91	Bilux bulb		<b>152341</b>	1						
80	Spring	VBC1 - VLB1	<b>122957</b>	1	92	Tail lamp, assy.		<b>142806</b>	1						
81	Battery housing	↓	<b>137808</b>	1	93	Trafficator lights bulb		<b>144632</b>	4						
82	Rectifier	↑ All	<b>144980</b>	1	94	Trafficator light and bulb		<b>145238</b> m)	4						
83	Plain washer	↓	<b>S. 3055</b>	2											
84	Rectifier sec. screw	V9A1 VMA2 VSE1	<b>S. 31057</b>	2											
84	Rectifier sec. screw	VBC1 - VLB1	<b>S. 31058</b>	2											
85	Tail lamp sec. nut	All	<b>S. 20106</b>	3											

- a) With parts fig. No.: 1 - 2 - 3 - 5 - 6 - 7 - 8.
  - b) With parts fig. No.: 16 - 17 - 18 - 19.
  - c) With part fig. No.: 23.
  - d) With parts fig. No.: 36 - 37.
  - e) With parts fig. No.: 38 - 39.
  - f) With part fig. No.: 43.
  - g) With parts fig. No.: 49 - 50 - 51 - 52 - 53.
  - h) With parts fig. No.: 56 - 57 - 58 - 59 - 60 - 61 - 62 - 63.
  - l) With parts fig. No.: 49 - 50 - 51 - 69 - 70 - 71.
  - l) With parts fig. No.: 88 - 89 - 90 - 91.
  - m) With parts fig. No.: 93.
- ) **Notice:** The rear glass 152907 and the two sec. screws S. 15815 are also supplied besides the rear tail lamp 142805.

T. XVII

ELECTRICAL CONNECTIONS : MOD. V9A1 - VMA2 - VBC1 - VLB1 - VSE1

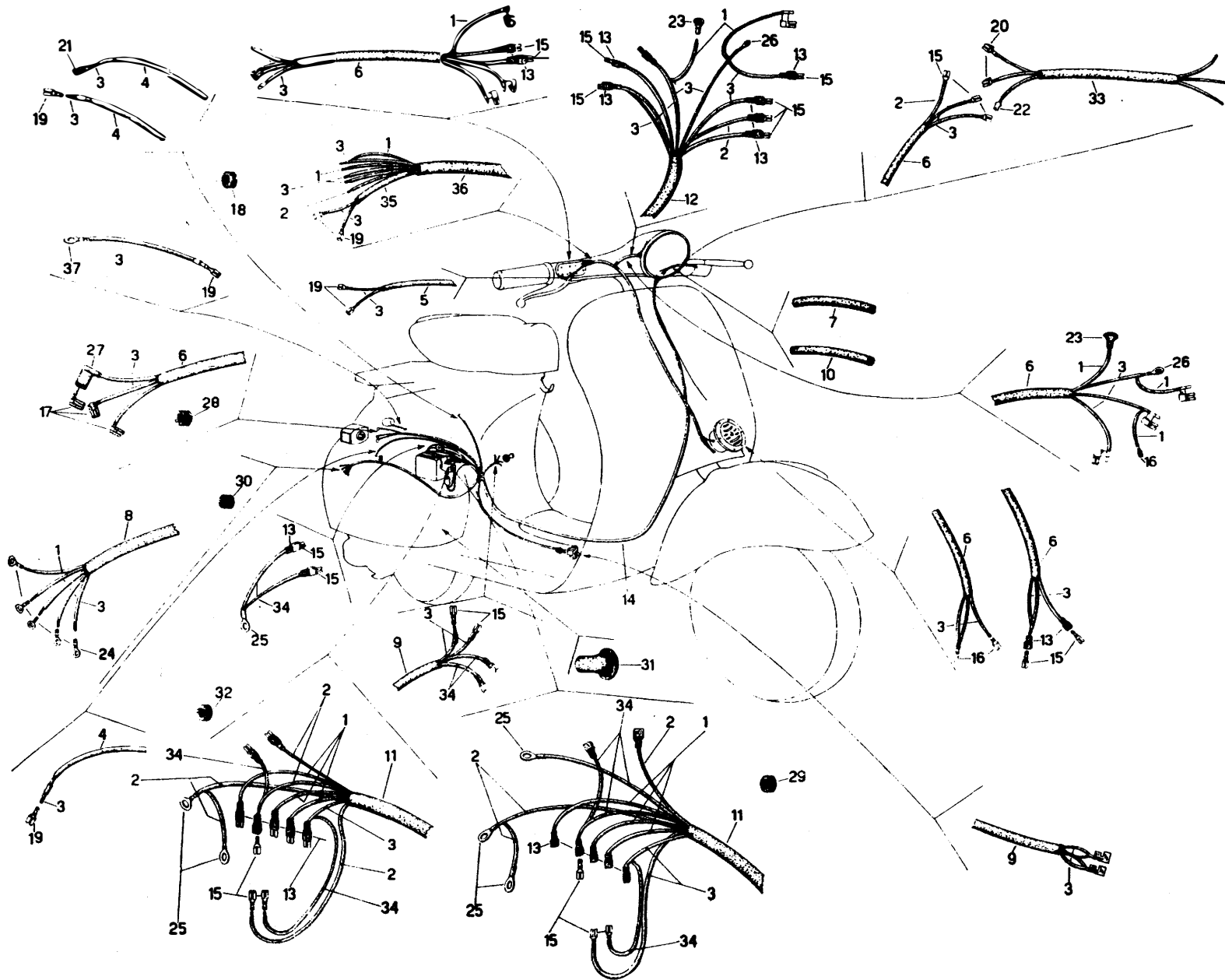


Fig. No.	PART NAME	Valid for	Spare parts	Quantity	Fig. No.	PART NAME	Valid for	Spare parts	Quantity	Fig. No.	PART NAME	Valid for	Spare parts	Quantity
1	Wire	↑	<b>24577</b>	*	15	Plug	↑	<b>71482</b>	23	31	Grommet	↑	<b>48171</b>	1
2	Wire	↑	<b>24582</b>	*	16	Plug	All	<b>101906</b>	5	32	Grommet	VBC1 - VLB1 VSE1 ↓	<b>16516</b>	2
3	Wire	All	<b>24583</b>	*	17	Plug	↓	<b>71160</b>	3	33	<b>Cable harness</b>	All	<b>144982</b> b)	1
4	Insulating sheath	↓	<b>87392</b>	*	18	Grommet	V9A1 VMA2	<b>70219</b>	1	34	Electrical cable	VBC1 - VLB1 VSE1	<b>87805</b>	*
5	Insulating sheath	V9A1 VMA2 VBC1 - VLB1	<b>87394</b>	*	19	Plug	↑	<b>122429</b>	7	35	Insulating sheath	↑	<b>87393</b>	*
6	Insulating sheath	↑	<b>87396</b>	*	20	Plug	All	<b>S. 15008</b>	3	36	Insulating sheath	VSE1 ↑	<b>87404</b>	*
7	Insulating sheath	↑	<b>87398</b>	*	21	Contact tag	VBC1 - VLB1	<b>103130</b>	1	37	Terminal	VBC1 - VLB1 VSE1	<b>24429</b>	4
8	Insulating sheath	↑	<b>87399</b>	*	22	Contact tag	↑	<b>71054</b>	3					
9	Insulating sheath	All	<b>87400</b>	*	23	Contact cap	↓	<b>26378</b>	1					
10	Insulating sheath	↓	<b>87402</b>	*	24	Terminal	↑	<b>14501</b>	5					
11	Insulating sheath	↓	<b>87405</b>	*	25	Terminal	↓	<b>S. 15006</b>	3					
12	Insulating sheath	V9A1 VMA2 VBC1 - VLB1	<b>141991</b>	*	26	Terminal	All	<b>S. 15105</b>	1					
13	Protection tube	All	<b>71037</b>	18	27	Insulating cap	↓	<b>143393</b>	3					
14	<b>Cable harness</b>	V9A1 VMA2	<b>145269</b> a)	1	28	Grommet	↑	<b>75931</b>	1					
14	<b>Cable harness</b>	VBC1 - VLB1	<b>144986</b> a)	1	29	Grommet	↓	<b>15098</b>	1					
14	<b>Cable harness</b>	VSE1	<b>145465</b> a)	1	30	Grommet	V9A1 VMA2 VBC1 - VLB1	<b>86458</b>	1					

a) With terminals and insulating sheaths already fitted.  
 b) With parts fig. No.: 20 - 22.  
 \*) Request by yards.

T. XVIII WHEEL - TOOL KIT - ACCESSORIES : MOD. V9A1 - VMA2 - VBC1 - VLB1 - VSE1

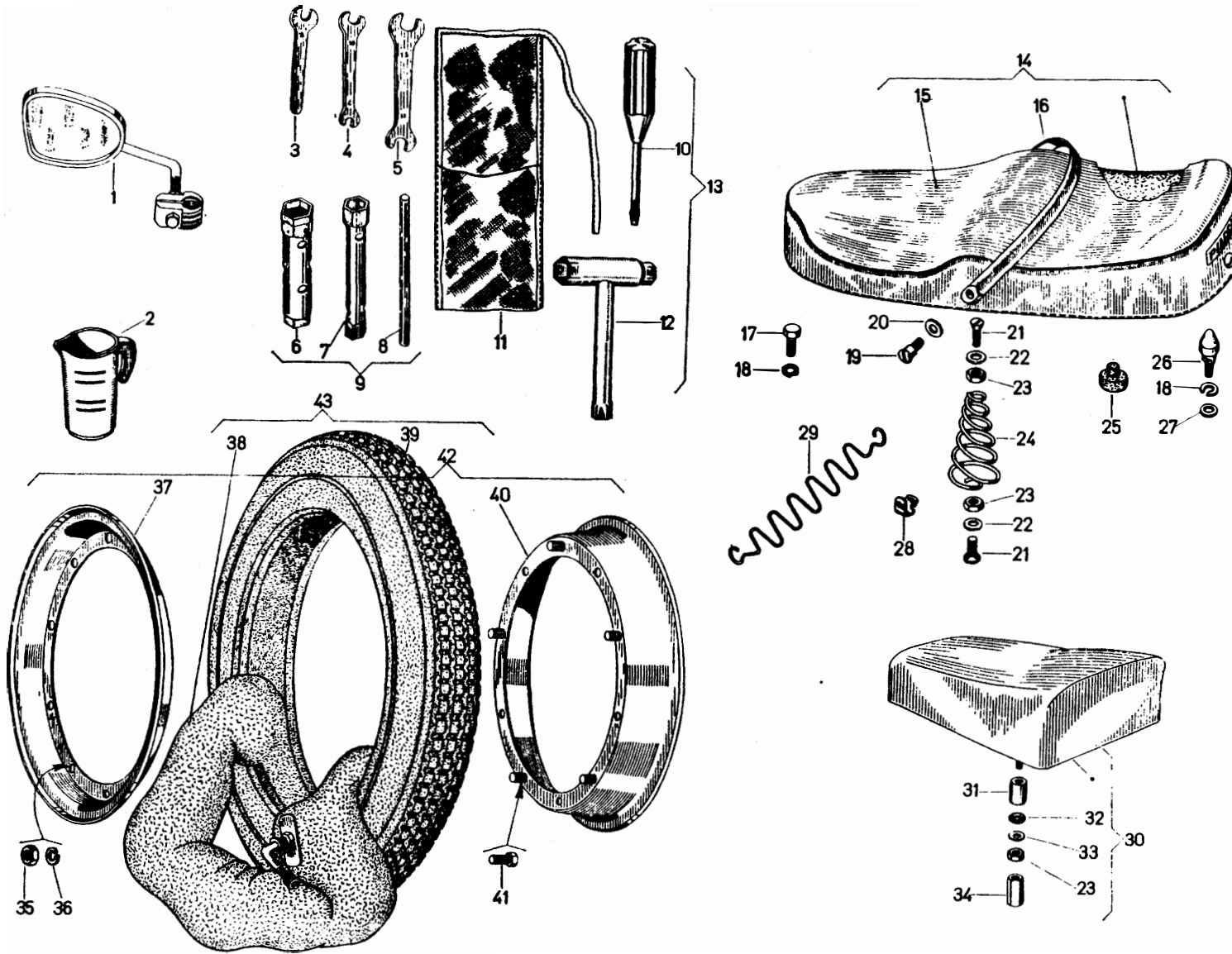


Fig. No.	PART NAME	Valid for	Spare parts	Quantity	Fig. No.	PART NAME	Valid for	Spare parts	Quantity	Fig. No.	PART NAME	Valid for	Spare parts	Quantity
1	L. H. drive mirror	All	2/112632	1	13	Tool roll, assy.	V9A1	71635 b)	1	24	L. H. central spring	↑	120743	1
2	Oil mixture beaker	V9A1 VMA2	85058	1	13	Tool roll, assy.	VMA2	152260 b)	1	25	Buffer	↑	56730	2
3	Single ended wrench (8)	↑	17856	1	13	Tool roll, assy.	VBC1 - VLB1 VSE1	130917 c)	1	26	Saddle sec. pin	VSE1	56729	1
4	Double ended wrench (7x10)	↓	84829	1	14	Saddle, assy. (two persons)	↑	120739 d)	1	27	Plain washer	↓	S. 3057	5
5	Double ended wrench (11x13)	↑	152132	1	15	Cover	↑	120821	1	28	Clamp	↓	94720	18
6	Box spanner 17 - 21 - 22	↑	77479	1	16	Grip	↑	94029	1	29	Central plate	↓	120741	1
7	Box spanner 11 - 13	VBC1 - VLB1 VSE1	152254	1	17	Saddle sec. bolt	↑	S. 15522	3	30	Rear seat cushion, assy.	↑	73715 e)	1
8	Lever for box spanner	↓	25468	1	18	Spring washer	VSE1	S. 16407	5	31	Spacer	VBC1 VLB1	S. 12147	1
9	Wrench, assy.	↓	154513 a)	1	19	Grip sec. screw	↓	94030	2	32	Spring washer	↓	S. 16406	1
10	Screw - driver	↑	3204	1	20	Plain washer	↓	89242	2	33	Plain washer	↓	S. 3056	2
11	Tool roll	All	141657	1	21	Spring sec. screw	↓	S. 14417	4	34	Nut	↓	S. 1549	1
12	Box spanner 13 - 17 - 21	V9A1	136593	1	22	Plain washer	↓	S. 13880	4	35	Nut	V9A1 VMA2	S. 20108	12
12	Box spanner 11 - 13 - 21	VMA2	152253	1	23	Springs and seat cushion sec. nut	VBC1 - VSE1 VLB1	S. 20106	6	35	Nut	VBC1	S. 12011	8
					24	R. H. central spring	VSE1	120742	1	35	Nut	VLB1 - VSE1	S. 20108	15
										36	Spring washer	All	S. 16408	15
										37	Wheel rim	V9A1	70150	2

**T. XVIII**

Fig. No.	PART NAME	Valid for	Spare parts	Quantity	Fig. No.	PART NAME	Valid for	Spare parts	Quantity	Fig. No.	PART NAME	Valid for	Spare parts	Quantity
37	Wheel rim	VMA2 VLB1 - VSE1	<b>84629</b>	2	42	Wheel rim, assy.	VBC1	<b>91468</b> g)	2					
37	Wheel rim	VBC1	<b>110376</b>	2	43	Wheel, assy.	V9A1	<b>137516</b> h)	2					
38	Inner tube	V9A1 VMA2	<b>101106</b>	2	43	Wheel, assy.	VMA2	<b>137517</b> h)	2					
38	Inner tube	VBC1	<b>111572</b>	2	43	Wheel, assy.	VBC1	<b>137518</b> h)	2					
38	Inner tube	VLB1 - VSE1	<b>93297</b>	2	43	Wheel, assy.	VLB1 - VSE1	<b>137519</b> h)	2					
39	Tyre	V9A1 VMA2	<b>2/142213</b>	2										
39	Tyre	VBC1	<b>2/142377</b>	2										
39	Tyre	VLB1 - VSE1	<b>2/141876</b>	2										
40	Wheel flange	V9A1	<b>70148</b> f)	2										
40	Wheel flange	VMA2 VLB1 - VSE1	<b>84630</b> f)	2										
40	Wheel flange	VBC1	<b>110377</b> f)	2										
41	Bolt sec. wheel rim	All	<b>S. 12468</b>	15										
42	Wheel rim, assy.	V9A1	<b>136592</b> g)	2										
42	Wheel rim, assy.	VMA2 VLB1 - VSE1	<b>84631</b> g)	2										

- a) With parts fig. No.: 6 - 7 - 8.
- b) With parts fig. No.: 3 - 4 - 10 - 11 - 12.
- c) With parts fig. No.: 3 - 4 - 5 - 9 - 10 - 11.
- d) With parts fig. No.: 15 - 16 - 19 - 20 - 21 - 22 - 23 - 24 - 25 - 28 - 29.
- e) With parts fig. No.: 23 - 31 - 32 - 33.
- f) With part fig. No.: 41.
- g) With parts fig. No.: 35 - 36 - 37 - 40.
- h) With parts fig. No.: 38 - 39 - 42.

By request the spare wheel support is also supplied, concerning the vehicles V9A 1 - VMA 2 - VBC 1 - VLB 1, as follows:

**70870** with parts: 1 wing nut for sec. wheel drg. 48045, 1 box drg.: 70731, 2 bolts drg. S. 31119, 2 spring washer drg. S. 16408, 2 plain washers S. 3058, 1 plain washer S. 13800, 1 packing drg. 70831.

**100662** with parts: 1 cap drg. 51119, 2 plain washers S. 3058, 1 bolt, long drg. S. 30078, 3 spring washers drg. 16408, 1 nut drg. S. 20108, 1 bolt S. 31120, 1 packing drg. 85083.

**101048 - 85097** with parts common to the support drg. 100662 except the bolt drg. S. 30078 that is replaced by the part drg. S. 30077.

For the assembling of these wheel supports there are two holes on the central bracket of the frame, from which remove the two protection rubber plugs.



# INDEX

Number	Page	Number	Page	Number	Page	Number	Page	Number	Page	Number	Page	Number	Page
61	19 - 21 - 62	11109	67	21868	13	35582	68	50274	33	58560	25	70425	54
	65	12218	47 - 51 - 53	22313	13	2/35623	68	50721	14	58652	14	70427	54
97	13	2/13127	6	22821	13	38477	14	51119	86	58680	25	70428	54
267	9 - 13 - 61	13835	42 - 45	22827	57	40316	13 - 57	51124	19	58844	14	70542	21 - 65
318	7 - 11	13836	41 - 45	22828	57	41575	79	54071	25	58845	15	70568	71
397	21 - 39	13991	37	2/22832	57	41576	79	54146	59	58846	15	70573	71
622	27 - 29	14080	27 - 29	23823	6 - 21	41586	68	54147	59	58849	14	70583	71
662	27 - 29	14282	75	23825	73 - 76	42043	19	54890	51	58853	31	70589	71
686	9 - 13	14457	13 - 17	24041	48 - 51	42047	19 - 23 - 76	55040	69	58859	14	70614	79
2007	62	14501	27 - 29 - 39	24410	19 - 21 - 62	46168	42 - 45	55322	80	59109	13	70620	71
2036	68	14657	73 - 75	24429	39 - 83	46612	39	55325	80	59188	59	70634	57
2174	73 - 75	15098	83	24577	83	2/46613	39	55986	67	59189	59	70635	57
2319	41	15467	41 - 45	24582	83	46631	25	55989	67	2/59365	13	70638	57
2383	41	15478	43	24583	83	3/46699	21	56641	67	59369	13	70640	57
2443	62	15718	73	24638	36	46740	13	56649	51	59388	14	70641	57
2457	25	15982	62	2/24967	80	46741	39	56654	51	59407	39	70642	57
2604	31	16408	86	25026	13	46742	25	56678	41	59410	39	70646	57
2612	33	16516	83	25468	85	46766	27 - 29 - 39	56729	45 - 85	59465	39	70647	57
2613	33 - 36 - 37	16724	41	25664	76	47162	39	56730	45 - 85	59588	14	70731	86
2777	73 - 75	16821	13 - 17	25854	42	47218	25	57012	69	59589	14	70744	23
2800	62 - 65	17118	67	25965	48	47460	41 - 45	57051	81	59590	14	70831	86
2802	62 - 65	17122	57	25990	62 - 65	47577	27	57110	81	60536	57	70858	71
2856	27	17285	57	26018	33	47872	59	57150	51	60565	71	70870	86
2990	21 - 39	17385	57	26041	42	47944	14	57156	51	63441	79 - 81	70874	75
3008	47 - 53	17492	71	26042	42	47945	14	57321	73	70072	68	70890	76
3204	85	17781	13	26252	75	48000	25	57371	41	70122	75	70891	75
3213	79	17856	85	26378	83	48002	25	57468	42 - 45	70140	80	70892	75
3751	67	18447	19	26578	5	48045	86	57892	67	70141	80	70895	75
4435	41 - 45	18558	19	26832	62	48171	73 - 83	57893	67	70144	80	70994	75
4511	53	18699	73 - 75	27072	79	48201	41	57895	69	70146	76	71037	83
5141	25 - 62 - 65	19061	73	27690	5	48459	41	57935	65	70147	76	71039	71
6777	71	19264	67	27691	5	48596	57	57938	65	70148	86	71047	45
2/8440	62	19301	13 - 21	27692	5	2/48973	42	57939	65	70150	85	71053	65
8446	45	2/19556	62 - 68	28302	49	48988	14	57940	65	70156	21 - 65	71054	83
9141	67	20321	19	30209	25	2/49290	5	57941	65	70176	65	71059	76
9142	67	20322	19	30566	67	49502	5	57943	67	70177	65	71160	83
9433	41 - 45	20323	19	30567	67	49542	33	57944	65	70181	65	71165	76
9640	42	20324	19	32005	14	49642	25	57945	68	70219	77 - 83	71482	29 - 39 - 83
9641	42	20375	13	32812	57	50100	13	58246	32	70286	51	71506	45
10055	51	20627	79	2/35581	68	50207	73	58364	31	70416	54	71535	79

Number	Page	Number	Page	Number	Page	Number	Page	Number	Page	Number	Page	Number	Page
71635	85	75931	83	78598	23	80992	5	85293	32	89145	31	90899	21
71638	53	77023	67	78723	62	81803	57	85294	32 - 36	89229	25	90916	79
71673	73	77024	67	78724	62	81862	71 - 79	85295	32	89242	45 - 85	90919	79
71702	79	77055	73	78726	62	82385	73	85296	32	89285	80	90926	31
71703	79	77252	54 - 59	2/78731	62	82783	80	85297	31	2/89858	13	90937	42
71728	45	77269	54	2/78734	62	82920	31	85298	32	89993	62	90958	48 - 53
71734	45	77351	25	78735	63	82931	32	85299	33	90025	19 - 21	90970	7
71813	35	77370	25	78741	61	82932	31	85304	32	90045	29	90982	45
71966	47	77371	25	78743	61	82933	31	85418	32 - 36	90305	68	91047	59
71967	47	77372	25	78744	61	82934	31	85457	47	90306	19 - 21	91058	62 - 65
72271	47	77379	13	78821	19	83111	37 - 47 - 51	85467	32	90372	39	91323	65
72339	19	77479	85	78822	19	83113	47 - 51	85508	61 - 65	90414	73	91329	9
72836	27 - 29	78163	19	78853	25	83115	47 - 51	85547	73	90417	73	91356	10
72843	11 - 29	78164	19	78920	22	83139	41 - 45	85721	27 - 29	90419	73	91357	10
72960	42	78305	76	78931	76	83333	73	85789	79	90425	73	91358	10
73111	48 - 51	78306	76	78941	21	83608	68	85795	37	90506	36	91368	10
73208	51	78307	11 - 27 - 35	78945	21	83806	13	85914	19 - 23 - 61	90511	73 - 75	91369	10
73209	51		76	78959	17	83880	62		65	90512	73	91370	10
73258	48 - 51	78332	9	78976	17	83883	62	86323	80	90513	73	91380	54
73260	48 - 51	78338	10	79001	17	83902	36	86458	83	90522	47	91468	86
73399	59	78366	21	79002	17	84262	42	86755	31	90523	47	91491	27 - 29
73400	59	78450	17	79077	17	84474	41	2/87019	47	90527	6 - 17 - 21	91500	11
73401	59	78452	17	79083	17	84475	41	87096	48 - 51		39 - 68	91621	62
73402	59	2/78453	17	79152	65	84476	41	87392	83	90529	73 - 77	91823	51
73403	59	78473	17	79154	65	84603	57	87393	29 - 83	90541	73	91925	9
73404	59	78478	17	79227	61	84629	86	87394	83	90542	42	91991	7
73405	59	78480	19	2/79247	35	84630	86	87396	83	90582	21 - 45	2/92099	39
73419	59	78482	19	79399	17	84631	86	87398	83	90592	81	92166	39
73420	59	78484	17	79469	17	2/84644	5	87399	83	90613	39	92167	39
73421	59	78493	9	79474	17	84737	39	87400	27 - 29 - 39	90618	41	92217	41 - 45
73422	59	78495	17	79476	17	84788	48 - 51		83	90623	41	92295	31
73546	80	78521	19	79478	17	84829	85	87402	73 - 83	90626	6	92403	36
73547	80	78522	19 - 21	2/79497	17	85058	85	87404	83	90627	48	92410	31
73555	71	78526	22	79697	27 - 29	85072	59	87405	83	90628	6	92517	19 - 23 - 61
73611	80	78542	35	79715	29	85073	59	87406	77	90731	45		65
73612	80	78543	35	79716	68	85074	59	87685	7	90732	45	92667	67
73715	85	78578	21	79766	21	85083	86	87714	19	90817	6	92712	32
73758	57	78586	17	79882	35	85285	32	87767	7	90818	6	92794	73
73943	29 - 39	78588	57	79900	35	85286	32 - 36	87805	83	90819	6	92795	73
73954	51	78594	17	80279	73	85288	32 - 36	87975	31 - 35	90854	49 - 81	92796	73
75604	61	78597	22	80280	73	85291	32 - 37	89120	5	90878	62	93031	5

Number	Page	Number	Page	Number	Page	Number	Page	Number	Page	Number	Page	Number	Page
93100	73		48 - 49	98148	37	100483	65	104292	73	111572	86	112475	35
93122	47	97495	47	98149	36	100484	21	104293	42	111582	29	112479	35
93188	65	97497	21	98220	75	100492	21	104294	43	111584	29	112480	35
93195	51	97523	51	98221	76	100617	71	104296	43	111586	21	112482	35
93233	10 - 13	97570	9	98333	39	100618	71	104539	79	111589	22	112517	35
93297	86	97573	45	98430	37	100619	71	104540	79	111596	22	2/112632	85
93468	57	97645	32	98433	36	100662	86	106956	25	111604	19	112720	25
93525	62	97718	25	98443	53	100820	61	110003	35	111615	19	112793	25
93722	80	97733	47 - 51 - 61	98476	31	100837	48	110007	35	111666	9	112858	19
93723	80		65 - 71	98538	68	100841	59	110276	67	111687	27	112869	35
93724	80	97734	71	98568	77	100842	59	110375	19	111715	25	112955	33
93725	80	97755	75	98581	45	100852	59	110376	86	111769	10	113010	32
73726	80	97756	73 - 75	98584	45	100998	71	110377	86	111771	10	113012	33
93745	14	97804	7	98652	62	101039	47	110379	19	111859	57	113013	15
93907	14	97890	79	98661	53	101040	47	110412	19	111996	22	113014	15
93934	73	97922	25	98662	53	101048	86	110470	61	112007	22	113016	14
93935	75	97923	25	98663	53	101106	86	110507	25	112008	22	113017	14
93953	73	97935	27	98668	53 - 59	101192	71	110508	19	112009	22	113022	14
93955	13	97984	13	98669	54	101193	71	110509	19	112010	22	113059	31
93994	32	97993	10	98753	11	101738	10	110510	19	112011	22	113060	33
94029	85	97994	10	98787	21	101739	9	110511	25	112018	22	113062	14 - 15
94030	45 - 85	97995	10	98788	23	101783	54	110512	25	112019	22	113063	14
94147	41	98084	36	99011	73	101906	83	110586	27 - 29	112020	22	113067	13
94171	73	98128	36	99014	73	102584	42	110651	10	112022	17	113069	13
94419	25	98129	36	99107	65	102585	43	110668	17	112071	29	113070	14
94425	14	98130	36	99204	29	102586	43	110669	17	112074	57	113072	14
94451	73	98132	36	99304	65	192587	42	110670	17	112092	10	113117	32
94625	59	98133	37	99315	36	102673	51	110699	9	112108	5	113125	31
94720	41 - 45 - 85	98134	37	99335	65	102675	51	110710	10	112119	10	113192	32
94727	13 - 57	98135	37	99405	17	103202	42	110711	9	112120	10	113263	35
94740	51	98136	36	99406	17	103130	83	110921	17	112121	10	113264	35
94743	14	98137	37	99462	22	103155	42	111123	37	112156	5	113266	35
94779	19 - 23	98138	37	99474	62	103843	75	111237	27	112166	57	113268	36
94780	14	98139	36 - 45	100208	48	103844	76	111307	10	112204	57	113288	14
97108	68	98140	36	100379	45	103850	43	111308	10	112377	17	113291	14
97181	19	98141	36	100389	53	103960	41	111484	59	112378	22	113293	33
97237	54 - 59	98142	36	100408	54	104074	27	111496	35	112379	22	113311	14
97242	41	98144	36	100426	75	104141	27	111497	36	112380	22	113312	14
97248	42 - 77	98145	36	100445	54	104142	27	111544	27	112381	22	113313	31
97356	71	98146	36	100446	55	104151	39	111545	27 - 29	112390	17	113489	5
97438	31	98147	36	100447	55	104291	73	111571	61	112392	11	113526	25

Number	Page	Number	Page	Number	Page	Number	Page	Number	Page	Number	Page	Number	Page
113725	76	120943	19	126899	79	131436	41	137517	86	141771	51	144979	79
113726	76	120944	19	126927	71	131587	25	137518	86	141772	51	144980	81
113731	14	120945	19	126929	71	131845	32	137519	86	141773	63	144981	79
113744	13	121052	71	126939	79	131897	13	137571	68	141774	51	144982	83
113747	14	121095	65	127170	71	131941	68	137730	48 - 54	141775	51	144986	83
113876	14	121201	13	127254	27	131942	68	137735	71	141776	63	145031	10
113941	32	121203	13	127258	39	131943	19	137736	71	141777	51	145032	10
113995	13	121356	21	127966	39	131952	35	137739	80	141778	51	145033	29
114125	22	121633	71	128181	73	132040	5	137740	80	141779	63	145034	29
114345	79	121635	71	128182	73	132041	5	137741	80	141780	51	145036	29
114347	79	121668	19	128183	73	132042	5	137769	14	141781	51	145039	29
114348	79	121740	14	128210	69	132048	6	137790	48 - 54 - 71	141782	63	145226	6
114349	79	122181	39	128217	65	132050	6	137791	48	141827	51	145228	47
114431	69	122296	69	128281	69	132051	6	137794	47	141830	29	145231	47
114609	47	122327	32	130137	65	132053	14	137797	48	141838	29	145234	80
114917	51	122429	83	130139	7	132056	6	137802	71	2/141876	86	145235	80
119813	6	122349	35	130143	51	132369	31	137803	71	141923	71	145238	81
120011	76	122790	5	130291	59	132453	31	137804	71	141991	83	145261	71
120012	75	122791	6	130395	27	135231	47	137808	81	2/142213	86	145262	71
120015	75	122825	6	130536	19	135232	17	137812	80	142253	51	145269	83
120017	76	122826	6	130559	14	135384	54	137833	53	2/142377	86	145313	27
120218	37	122957	81	130581	5	135387	54	137834	53	142805	81	145314	27
120255	14	123294	9	130823	14	135388	54	137847	71	142806	81	145316	27
120265	71	123296	9	130917	85	135389	54	137848	71	142861	61 - 65	145317	27
120329	51 - 67	123370	32	130939	19	135390	54	137851	51	142901	61 - 65	145318	27
120487	71	123474	7	130940	19	136340	5	137853	51	143393	83	145319	27
120522	31	123486	32	130941	19	136554	67	137858	48	143849	73 - 75	145321	27
120535	5	123487	54	130967	6	136563	68	137859	48	143851	73	145339	9
120604	61	123500	54	130977	5	136577	37	137879	47	144019	39	145340	55
120739	85	123506	81	130978	6	136578	37	137881	47	144474	79	145341	54
120741	85	123530	14 - 15	131057	13	136592	86	137881	47	144474	79	145341	54
120742	85	123771	73	131083	31	136593	86	137916	48	144632	81	145342	48
120743	85	124046	59	131114	33	136666	41	137917	7	144898	27	145456	85
120762	31	124416	6	131115	33	136672	41	137936	68	144899	27	145465	83
120791	51	124417	6	131116	33	136673	41	140528	5	144901	27	145466	80
120793	51	124418	6	131117	32	136673	41	140541	39	144902	27 - 29	145469	80
120811	39	124455	33	131163	5	136982	69	140920	25	144903	27 - 29	145544	6
120812	39	124697	39	131207	5	137299	71	140963	27	144910	27	145661	6
120813	39	124708	61	131220	33	137334	25	140965	27	144912	27	150003	25
120821	85	125803	39	131223	14	137362	32	141077	80	144972	79	150006	25
120942	19	125974	73	131434	41	137422	61	141329	51	144976	79	150044	32
						137516	86	141657	85	144978	79	150045	32

Number	Page	Number	Page	Number	Page	Number	Page	Number	Page	Number	Page	Number	Page
150046	32	151743	17	152515	51	S. 3058	5 - 22 - 86	S. 7188	9	S. 12112	47 - 51	S. 13880	45 - 76 - 85
150048	31	151805	13	152649	48 - 51 - 53	S. 3060	25 - 59 - 67	S. 7631	17 - 45	S. 12113	71	S. 13890	80
150049	31	151836	71	152907	81	S. 3111	67	S. 8088	79	S. 12118	47	S. 13920	71
150051	21	151837	71	153024	68	S. 3208	15 - 19 - 68	S. 8108	48 - 49 - 51	S. 12136	71	S. 13935	54
150070	61 - 65	151931	29	153025	68	S. 3212	41 - 45		54	S. 12138	54	S. 13940	25
150082	13	151976	35	153179	61	S. 3918	10	S. 8112	29	S. 12139	69	S. 13952	27
150104	13	151981	10	153198	73 - 75	S. 4515	9	S. 8230	23 - 29 - 39	S. 12147	85	S. 13963	54
150110	22	152067	36	153509	9	S. 5765	25	S. 8246	80	S. 12306	59	S. 14006	68
150131	32	152068	35	154501	7	S. 5771	21	S. 8265	29	S. 12332	27 - 29	S. 14402	23 - 39
150167	31	152069	36	154513	85	S. 5772	17	S. 8339	14	S. 12468	86	S. 14404	80
150184	27 - 29	152071	36	154525	7	S. 5790	13	S. 8419	10	S. 12485	6	S. 14415	42
150235	71	152072	36	202503	39	S. 5901	22	S. 8420	9	S. 12528	51 - 62 - 71	S. 14417	85
150264	57	152073	36	350617	81	S. 5962	22	S. 8421	9	S. 12532	82	S. 14436	31
150275	53	152074	36	S. 103	13	S. 5981	27 - 29	S. 8431	79	S. 12533	35 - 59 - 48	S. 14467	62
150276	53	152075	36	S. 456	9	S. 6018	57	S. 8499	9		71 - 81	S. 14540	33 - 45
150321	75	152077	36	S. 480	9	S. 6067	41 - 45	S. 8507	25	S. 12539	19 - 23 - 73	S. 14565	6
150369	57	152096	67	S. 521	5	S. 6068	41 - 45	S. 8714	19		76	S. 14583	31
150397	57	152097	67	S. 553	5	S. 6126	48 - 79	S. 8720	9	S. 12542	47	S. 14628	53
150450	57	152098	68	S. 561	15	S. 6379	22	S. 8722	62 - 65	S. 12554	27 - 29	S. 14632	79
150451	57	152099	67	S. 584	9	S. 6408	13	S. 8731	9	S. 12563	17	S. 14689	57
150483	75	152132	85	S. 838	27 - 29	S. 6425	17	S. 8736	35	S. 12761	19 - 23 - 68	S. 14691	51
150484	75	152133	32	S. 906	17	S. 6615	6 - 10	S. 8795	5		73 - 76	S. 14743	31 - 42
150485	76	152180	33	S. 963	27 - 29	S. 6616	6	S. 8797	35	S. 12781	75	S. 14744	11
150508	17	152195	69	S. 1447	6	S. 6634	27	S. 10011	42 - 45	S. 12783	35	S. 14762	51
150514	17	152196	10	S. 1508	17	S. 6642	25	S. 10018	80	S. 12787	19 - 21 - 61	S. 15006	83
150566	54	152253	85	S. 1510	9	S. 6647	9 - 17 - 19	S. 10022	45		65	S. 15008	83
150579	65	152254	85	S. 1544	13	S. 6662	7	S. 10028	71	S. 12820	48	S. 15105	83
150584	37	152260	85	S. 1545	9	S. 6706	17 - 22	S. 10047	27 - 29 - 39	S. 13005	5	S. 15123	62 - 65
150587	73	152272	45	S. 1549	85	S. 6708	13	S. 10051	27 - 29	S. 13010	22 - 39	S. 15221	79
150588	73	152280	53	S. 1816	27	S. 6710	15	S. 10790	25	S. 13021	17 - 75	S. 15222	65
150589	73	152290	47	S. 1821	9	S. 6714	14 - 19	S. 10805	53 - 59	S. 13755	39	S. 15231	25
150600	35	152310	73	S. 1822	17	S. 6716	62 - 68	S. 10860	41	S. 13762	33	S. 15239	6
150656	5 - 9	152329	65	S. 2314	19 - 21 - 61	S. 6721	17 - 25 - 57	S. 10868	53 - 59	S. 13768	57	S. 15248	57
150701	29	152332	61		65	S. 6733	57	S. 10869	53 - 59	S. 13775	68	S. 15259	79
150739	11	152339	61	S. 3054	15 - 29 - 82	S. 6965	27 - 29 - 35	S. 10870	65	S. 13782	35	S. 15507	17 - 42
151307	71	152341	81	S. 3055	27 - 29 - 61	S. 6968	5 - 51	S. 10881	53 - 59	S. 13800	87	S. 15510	19 - 23 - 73
151398	57	152357	41		65 - 71 - 80	S. 6977	5 - 9	S. 11288	5 - 39	S. 13808	86		76
151471	57	152387	61		81	S. 7035	17	S. 11510	73	S. 13842	45	S. 15522	7 - 42 - 45
151493	17	152391	76	S. 3056	13 - 85	S. 7125	9	S. 11753	17	S. 13862	62 - 73		85
151614	65	152393	75	S. 3057	5 - 9 - 39	S. 7130	17	S. 12011	85	S. 13863	62	S. 15339	19 - 61
151615	65	152513	48		42 - 45 - 85	S. 7160	9	S. 12012	35	S. 13879	19 - 65	S. 15542	71

Number	Page	Number	Page	Number	Page	Number	Page	Number	Page	Number	Page	Number	Page
S. 15543	79	S. 20006	35 - 59										
S. 15544	79	S. 20104	49										
S. 15545	11 - 27 - 29	S. 20105	6 - 17 - 21										
S. 15559	10		29 - 39 - 42										
S. 15568	49		45 - 51 - 61										
S. 15593	7		65 - 68										
S. 15597	27 - 29	S. 20106	35 - 39 - 45										
S. 15690	37		76 - 81 - 85										
S. 15727	55 - 59	S. 20107	5 - 9 - 15										
S. 15815	81		17 - 39 - 45										
S. 16305	25	S. 20108	5 - 19 - 22										
S. 16403	27 - 29		5 - 19 - 22										
S. 16404	14 - 27 - 29		23 - 41 - 51										
	35 - 49 - 80	S. 20109	65 - 67 - 85										
S. 16405	22 - 27 - 29	S. 20110	25 - 68										
	31 - 39 - 42	S. 20206	42 - 57										
	61 - 65 - 71	S. 20207	77										
	80	S. 20209	6 - 22 - 68										
S. 16406	13 - 27 - 35	S. 20210	57										
	54 - 59	S. 21108	67										
	76 - 77	S. 21209	69 - 86										
	85		19 - 23 - 73										
S. 16407	5 - 9 - 17	S. 21214	76										
	39 - 42 - 45	S. 30050	57										
	85	S. 31033	13 - 17										
S. 16408	5 - 19 - 22	S. 31034	80										
	23 - 51 - 57	S. 31056	48 - 79										
	61 - 65 - 67	S. 31057	65 - 71										
	68 - 85 - 86	S. 31058	81										
S. 16409	25 - 33 - 57	S. 31059	81										
	68	S. 30077	51 - 61 - 65										
S. 16410	37 - 51 - 57	S. 30078	86										
	59 - 67	S. 31086	86										
S. 16412	65	S. 31087	81										
S. 16414	57	S. 31088	48 - 54 - 61										
S. 16612	25	S. 31089	71 - 81										
S. 18962	37		17 - 45 - 54										
S. 20004	48 - 79	S. 31091	59 - 75										
S. 20005	80	S. 31115	76										
		S. 31119	27										
		S. 31120	86										
			86										

# AMENDMENT TO CATALOGUE OF SPARE PARTS Drg. 170644 FOR VESPA OF PRODUCTION YEAR 1975 - 76

---

- **Vespa 90** from V9A 1 T 109938 ÷ ...
- **Vespa 125 Primavera** from VMA 2 T 0126226 ÷ ...
- **Vespa 150 Super** from VBC 1 T 335094 ÷ ...
- **Vespa 150 Sprint Veloce** from VLB1 T 0249765 ÷ ...
- **Vespa Rally 200** from VSE 1 T 0027557 ÷ ...



Table of Catalogue and Fig. No.	PART - NAME	Parts on Catalogue	New parts for Mod. 1975-76	Valid for	Interchan-geability	Table of Catalogue and Fig. No.	PART - NAME	Parts on Catalogue	New parts for Mod. 1975-76	Valid for	Interchan-geability
<b>T. I</b>						<b>T. I/1</b>					
9	Gasket	89120	122790	↑	NI	8	Oil seal	S. 8720	155579	↑	IR
13	<b>Crankcase</b>	<b>131163</b> <b>131207</b>	156471 O)	VBC1T 328129→	NI	*23	Stud for securing inlet jointing piece	S. 584	S. 584	V9A1 VMA2	IR
18	Gasket	49502	122791	↓	NI	*23	Stud for sec. brake jaw flange	S. 584	S. 456	↓	IR
25	<b>Engine, assy.</b>	<b>145226</b>	<b>156971</b>	VBC1	NI	40	<b>Engine, assy.</b>	<b>145032</b>	<b>156001</b>	V9A1	NI
25	<b>Engine, assy.</b>	<b>145661</b>	<b>133832</b>	VLB1	NI	40	<b>Engine, assy.</b>	<b>145031</b>	<b>156002</b>	VMA2	NI
25	<b>Engine, assy.</b>	<b>145544</b>	<b>133761</b>	VSE1	NI	*) Errata.					
29	<b>Piston - wrist pin, normal, assy.</b>	<b>130967</b>	<b>133918</b>	VSE1	I	<b>T. II/1</b>					
30	<b>Cylinder - piston - wrist pin, assy.</b>	<b>132056</b>	<b>156303</b>	VSE1	I	36	Pin	S. 13021	S. 8818	V9A1 VMA2	I
30	<b>Cylinder - piston - wrist pin, assy.</b>	<b>90628</b>	<b>156960</b>	VBC1T 328129→	I	<b>T. III</b>					
31	<b>Set of gaskets for engine overhauling</b>	<b>91991</b>	<b>154545</b>	VBC1T →328128	—	*8	Actuating lever	131943	100101	VLB1	—
31	<b>Set of gaskets for engine overhauling</b>	<b>154501</b>	<b>154544</b>	VLB1 VBC1T 328129→	—	31	4th gear	110510	152803	VBC1	IR
31	<b>Set of gaskets for engine overhauling</b>	<b>154525</b>	<b>154543</b>	↑	—	31	4th gear	111604	152799	VLB1	IR
*	Spring plate	—	S. 8080 ▲)	VSE1	—	31	4th gear	120945	152807	VSE1	IR
*	Washer	—	97733 ▲)	↓	—	32	3rd gear	110509	152802	VBC1	IR
*	Self tapping screw	—	S. 14705 ▲)	↓	—	32	3rd gear	111615	152798	VLB1	IR
—	Oil conveyor	Added	146129	VLB1 VBC1T 328129→	—	32	3rd gear	120944	152806	VSE1	IR
						33	2nd gear	110508	152801	VBC1	IR
						33	2nd gear	78822	152797	VLB1	IR
						33	2nd gear	120943	152805	VSE1	IR
						34	Bottom gear	51124	152800	VBC1	IR
						34	Bottom gear	78821	152796	VLB1	IR
						34	Bottom gear	120942	152804	VSE1	IR

O) If it is fitted instead of the pre-modification part, mount together also the bolt S. 31193, washer S. 16402 and S. 3062.

▲) Securing piece for cooling hood.

\*) Errata.

\*) Errata.



Table of Catalogue and Fig. No.	PART - NAME	Parts on Catalogue	New parts for Mod. 1975-76	Valid for	Interchan-geability	Table of Catalogue and Fig. No.	PART - NAME	Parts on Catalogue	New parts for Mod. 1975-76	Valid for	Interchan-geability
<b>T. III/1</b>						35	Coil No. 1	144902	155839	VLB1 VBC1	NI
18	Oil plug	2990	138345	All	I	35	Coil No. 1	145317	155584	VSE1	NI
37	Cover for the actuating lever	78920	155463	All	I	36	Coil No. 2	144903	155840	VBC1 VLB1	NI
38	Spring washer	S. 16405	S. 6975	All	NI	36	Coil No. 2	145318	124758	VSE1	NI
39	Cover sec. screw	99462	S. 15598	All	I	*37	Feeding coil	145318	104136	VSE1	—
44	Bottom gear	112018	132546	V9A1	IR	38	<b>Condenser</b>	<b>79697</b>	<b>155973</b>	VBC1 VLB1	NI
44	Bottom gear	112378	152835	VMA2	IR	39	Flywheel clamp board	144910	Not fitted	VBC1 VLB1	—
45	2nd gear	112019	132547	V9A1	IR	39	Flywheel clamp board	145319	129178	VSE1	NI
45	2nd gear	112379	152836	VMA2	IR	41	<b>Cable harness</b>	<b>144912</b>	Not fitted	VBC1 VLB1	—
46	3rd gear	112020	132548	V9A1	IR	41	<b>Cable harness</b>	<b>145321</b>	<b>104151</b>	VSE1	NI
46	3rd gear	112381	152837	VMA2	IR	—	Cable tag for coil No. 2	Added	14501	VSE1	—
47	4th gear	112380	152838	VMA2	IR						
64	Stud for brake drum 5 items	↑	85914	V9A1	—						
66	Spring washer 5 items		S. 16408	V9A1	—						
67	Wheel sec. nut 5 items	Added	S. 20108	V9A1	—						
—	Screw for testing rear brake lining 1 item	↓	138241	All	—						
<b>T. V</b>						<b>T. V/1</b>					
1	<b>Stator, assy.</b>	<b>144901</b>	<b>155838</b>	VBC1 VLB1	NI	1	H. T. coil	151931	114811	VMA2	NI
1	<b>Stator, assy.</b>	<b>145316</b>	<b>155583</b>	VSE1	NI	1	H. T. coil	150701	152736	V9A1	NI
8	<b>Flywheel, assy.</b>	<b>144898</b>	<b>155837</b>	VBC1 VLB1	NI	7	Cap	72843	155475	↑	NI
8	<b>Flywheel, assy.</b>	<b>145313</b>	<b>155763</b>	VSE1	NI	11	<b>Cable harness from flywheel to L. T. socket</b>	<b>145039</b>	<b>157478</b>	↑	NI
24	Circlip	14080	S. 5962	VBC1 VLB1	I	18	Clamp board	79715	↑	NI	
						19	Plain washer	S. 3054	Not fitted	All	NI
						20	Spring washer	S. 16404	↓	NI	
						21	Screw	S. 963	↓	NI	
						25	<b>Backplate</b>	<b>145036</b>	<b>155855</b>	↓	NI
						28	<b>Flywheel magneto, assy.</b>	<b>145033</b>	<b>155854</b>	↓	NI
						35	Spring clip	14080	S. 5962	↓	I

\*) Errata.



Table of Catalogue and Fig. No.	PART - NAME	Parts on Catalogue	New parts for Mod. 1975-76	Valid for	Interchan-geability	Table of Catalogue and Fig. No.	PART - NAME	Parts on Catalogue	New parts for Mod. 1975-76	Valid for	Interchan-geability
—	<b>Unit for controlling the fuel cock</b>	↑ Added ↓	<b>147265</b>	↑ All ↓	—	16	Spring washer	S. 12542	Not fitted	VBC1	—
—	Box controlling the fuel cock		147045 ●)			17	Nut sec. strip	S. 12118	Not fitted	VBC1	—
—	Gear with controlling lever		147047 ●)			21	Bush on cowl pin	84788	146782	VBC1 VLB1	NI
—	Transmission gear		147046 ●)			44	Bracket for electrical contacts	137791	↑	VBC1	—
—	Circlip		S. 6622 ●)			44	Bracket for electrical contacts	137859		VSE1	—
—	Circlip		S. 8551 ●)			44	Bracket for electrical contacts	137858	Not fitted	VSE1	—
—	Circlip		S. 6407 ●)			45	Screw for bracket	S. 15568	↓	↑	—
—	Self tapping screw 2 items		S. 8455 ◆)			46	Spring washer	S. 16404		All	—
—	Spring plate 2 items		S. 8080 ◆)			47	Nut	S. 20104	↓	↓	—
●) Parts of the cock unit. ◆) Securing cock unit control.						<b>T. IX/1</b>					
—						29	Bush for pin	84788	146782	VSE1	NI
—						39	<b>Engine cowl</b>	<b>137851</b>	<b>147084</b>	VSE1	NI
—						40	<b>Cowl, L. H.</b>	<b>137853</b>	<b>147087</b>	VSE1	NI
<b>T. IX</b>						<b>T. IX/2</b>					
5	<b>Vehicle frame</b>	<b>145228</b>	<b>147357</b>	VBC1	NI	2	<b>Frame, assy.</b>	<b>137834</b>	<b>147417</b>	V9A1	NI
5	<b>Vehicle frame</b>	<b>137881</b>	<b>147358</b>	VLB1	NI	2	<b>Frame, assy.</b>	<b>137833</b>	<b>147427</b>	VMA2	NI
5	<b>Vehicle frame</b>	<b>137879</b>	<b>147360</b>	VSE1	NI	20	Inner strip for R. H. foot rest	98661	98662	↑	I
6	Frame seal diaph.	2/87119	158254	VBC1 VLB1 VSE1	NI	24	Central stand sec. nut	S. 12138	S. 20006	↑ All	NI
7	<b>Engine cowl</b>	<b>145231</b>	<b>147545</b>	VBC1	NI	37	Spring washer	S. 16406	S. 12533	↓	NI
7	<b>Engine cowl</b>	<b>137794</b>	<b>147446</b>	VLB1	NI	—	Spring washer sec. the central stand to frame 4 items	Added	S. 16406	↓	—
14	Bolt with plate	93122	↑	VBC1	—	<b>T. XI</b>					
15	<b>Ornament strip with attach. for engine cowl</b>	<b>90522</b>	Not fitted	VBC1	—	16	Plain washer	S. 3060	S. 3062	↑	NI
15	<b>Ornament strip with attach. for tool box</b>	<b>90523</b>	↓	VBC1	—	17	Plain washer	S. 16410	S. 16412	↑ VLB1 VBC1T 328129	NI
						18	Bolt	S. 12306	S. 31193	↓	NI

Table of Catalogue and Fig. No.	PART - NAME	Parts on Catalogue	New parts for Mod. 1975-76	Valid for	Interchan-geability	Table of Catalogue and Fig. No.	PART - NAME	Parts on Catalogue	New parts for Mod. 1975-76	Valid for	Interchan-geability
<b>T. XII</b>						<b>T. XIII</b>					
—	Screw for inspection of front brake lining 1 item	↑ Added	138241	All	—	3	Buffer sleeve	110276	15020	↑ VBC1 VLB1	I
—	Washer for mudguard crest 1 item	↓	116643	VLB1 VSE1	—	11	Plain washer	S. 3060	S. 16626	VSE1 ↓	I
<b>T. XII/1</b>						33	Packing	S. 14006	S. 6721	V9A1 VMA2	—
34	Stud for brake drum 5 items	↑	85914	↑	—	*	Buffer 1 item	—	57894	V9A1 VMA2	—
35	Wheel sec. spring washer 5 items	↑	S. 16408	↑	—	*) Errata.					
36	Wheel sec. nut 5 items	↑	S. 20108	↑	—	<b>T. XIV</b>					
37	Drum sec. nut 1 item	↑ Added	S. 2314	V9A1	—	1	<b>Handlebars, assy.</b>	<b>145261</b>	<b>147570</b>	V9A1	NI
38	Brake drum plug 1 item	↑	92517	↑	—	1	<b>Handlebars, assy.</b>	<b>137802</b>	<b>147569</b>	VMA2 VBC1 VLB1	NI
39	Splint pin 1 item	↑	S. 12787	↑	—	1	<b>Handlebars, assy.</b>	<b>137847</b>	<b>148005</b>	VSE1	NI
40	Plain washer 1 item	↓	S. 13879	↓	—	14	Irreversible spring	71039	Not fitted	↑	—
46	Mudguard sec. plain washer	97733	S. 3055	↑	NI	14	Plain washer	Added	97733	All	—
*	Plate of front brake jaw 2 items	—	90878	All	—	19	Spring washer (throttle side) 1 item	60565	139891	↓	NI
—	Screw for inspection of front brake lining 1 item	Added	138241	↓	—	27	Handlebars housing	137803	155723	V9A1 VMA2 VBC1 VLB1	I
						27	Handlebars housing	137848	155723	VSE1	NI
						40	Gear shift sleeve	145262	155664	V9A1	NI
						40	Gear shift sleeve	137804	155626	VMA2 VBC1 VLB1 VSE1	NI
						<b>T. XV</b>					
						41	Push pull rod	125974	155541	VBC1 VLB1 VSE1	NI

\*) Errata.

Table of Catalogue and Fig. No.	PART - NAME	Parts on Catalogue	New parts for Mod. 1975-76	Valid for	Interchangeability	Table of Catalogue and Fig. No.	PART - NAME	Parts on Catalogue	New parts for Mod. 1975-76	Valid for	Interchangeability
<b>T. XV/1</b>						40	<b>Switch with horn push button</b>	<b>145466</b>	<b>155612</b>	VSE1	NI
*19	Starter cable and terminal	98220	70894	V9A1 VMA2	—	41	<b>Switch, assy.</b>	<b>145469</b>	<b>147400</b>	VSE1	NI
57	Starter rod	98568	155540	All	NI	42	<b>Fuse holder</b>	<b>145234</b>	<b>142519</b>	All	NI
*60	Strap for cables 1 item	97248	3221	V9A1 VMA2	—	44	Fuse holder sec. screw	S. 10018	S. 8265	V9A1 VMA2 VBC1 VLB1	NI
*) Errata.						44	Fuse holder sec. screw	S. 10018	S. 31086	VSE1	NI
						45	Packing	145235	Not fitted	All	—
						46	Spring washer sec. fuse	S. 16405	S. 12532	V9A1 VMA2 VBC1 VLB1	NI
						46	Spring washer sec. fuse	S. 16405	S. 16406	VSE1	NI
						46	Washer sec. regulator	S. 16405	S. 12534	V9A1 VMA2 VBC1 VLB1	NI
						46	Washer sec. regulator	S. 16405	S. 16407	VSE1	NI
						47	Fuse holder sec. nut	S. 20005	Not fitted	V9A1 VMA2 VBC1 VLB1	—
						47	Fuse holder sec. nut	S. 20005	S. 20106	VSE1	NI
						48	Contact plug	137739	Not fitted	↑	—
						52	Contact tag	137740	Not fitted	↑	—
						53	Contact pivot	137741	Not fitted	VBC1 VLB1 VSE1	—
						54	Packing	137812	Not fitted	↓	—
						55	Screw	S. 8246	Not fitted	↓	—
						*69	Pivot	86323	Not fitted	V9A1 VMA2	—
						*69	Pivot	Added	86323	VBC1 VLB1 VSE1	—
						73	Stop switch sec. screw	S. 8246	S. 8455	VBC1 VLB1 VSE1	—
						75	Battery	90592	54889	VSE1	—
						82	Regulator	144980	148110	All	NI
<b>T. XVI</b>											
14	<b>Indicator lamp with bulb</b>	<b>144978</b>	<b>155707</b>	↑	I						
15	Bulb	81862	29378	All	NI						
19	Washer	27072	147404	↓	NI						
20	<b>Switch, assy.</b>	<b>144976</b>	<b>147400</b>	V9A1 VMA2 VBC1 VLB1	NI						
21	Bolt	S. 31034	S. 9005	V9A1 VMA2	NI						
22	Plain washer	S. 6126	S. 13963	All	NI						
25	Nut	S. 20004	Not fitted	V9A1 VMA2	—						
28	<b>Switch for trafficator lights and earth switch</b>	<b>144474</b>	<b>155580</b>	↑	NI						
29	Switch sec. screw	S. 14632	S. 8305	All	NI						
30	Spacer	144979	Not fitted	↓	—						
35	<b>Switch, assy.</b> <i>light &amp; horn</i>	<b>155072</b> <b>144972</b>	<b>155612</b>	↑ V9A1 VMA2 VBC1 VLB1	I						
36	Cover	90916	155614	↓	I						
37	Switch sec. screw	3213	S. 8305	↓	NI						
38	Switch cover	89285	155614	VSE1	NI						
39	Switch sec. screw	S. 14404	S. 8305	VSE1	NI						

Table of Catalogue and Fig. No.	PART - NAME	Parts on Catalogue	New parts for Mod. 1975-76	Valid for	Interchangeability	Table of Catalogue and Fig. No.	PART - NAME	Parts on Catalogue	New parts for Mod. 1975-76	Valid for	Interchangeability
83	Plain washer	S. 3055	S. 3057	↑ All ↓	—	35	Insulating sheath	87393	87394	VSE1	—
84	Regulator sec. screw	S. 31058 S. 31057	S. 15525		NI	—	Terminal	Added	S. 15001	↑ All ↓ ↑ VBC1 VLB1 VSE1 ↓ V9A1 VMA2	—
94	Trafficator light	145238	146524		—	—	<b>Cable harness for right switch</b>	Added	<b>148113</b>		—
—	Sleeve for trafficator light switch	Added	72761		—	—	Insulating plug	Added	146371		—
—	Fuse holder sec. strap	Added	143253		—	—	Electrical cable	Added	87805		—
—	Cover (trafficator lighth switch 155580)	Added	156121		—	—	<b>Electrical wire for rear trafficator lights</b>	Added	<b>147052</b>		—
—	Spring for key (fig. 16)	Added	147403		—	—	Contact plug for wire of rear trafficator lights 2 items	Added	122429 ▲)		—
—	Packing	Added	147404 +)		—	—	Insulating plug for wire of rear trafficator lights 2 items	Added	146787 ▲)		—
—	Number plate sec. screw	Added	S. 10028		VMA2 VBC1 VLB1	—	Contact terminal for wire of rear trafficator lights 2 items	Added	146788 ▲)		—
—	Number plate sec. nut	Added	S. 20104		VMA2 VBC1 VLB1	—	Grommet 1 item	Added	104430		V9A1 VMA2
—	Regulator sec. nut	Added	S. 20107	All	—						
+ ) For switch No. 147400.						▲ ) Component parts of 147052.					
<b>T. XVII</b>						<b>T. XVIII</b>					
14	<b>Cable harness</b>	<b>145269</b>	<b>148145</b>	V9A1 VMA2	NI	37	Wheel rim	70150	84629	↑ V9A1 ↓	NI
14	<b>Cable harness</b>	<b>144986</b>	<b>148142</b>	VBC1 VLB1	NI	40	<b>Wheel flange</b>	<b>70148</b>	<b>84630</b>		NI
14	<b>Cable harness</b>	<b>145465</b>	<b>148117</b>	VSE1	NI	42	<b>Wheel rim</b>	<b>135962</b>	<b>84631</b>		NI
25	Terminal	S. 15006	92342	V9A1 VMA2 VBC1 VLB1	NI	43	<b>Wheel, assy.</b>	<b>137516</b>	<b>131517</b>		NI
32	Grommet	16516	Not fitted	VSE1	—						
33	<b>Cable harness for left switch</b>	<b>144982</b>	Not fitted	All	—						

**Note** - The spare wheel support and its attachments for Vespa 90 V9A1 Part 70870 has been substituted by the part 100662, starting from the chassis No. V9A1T - 89501.