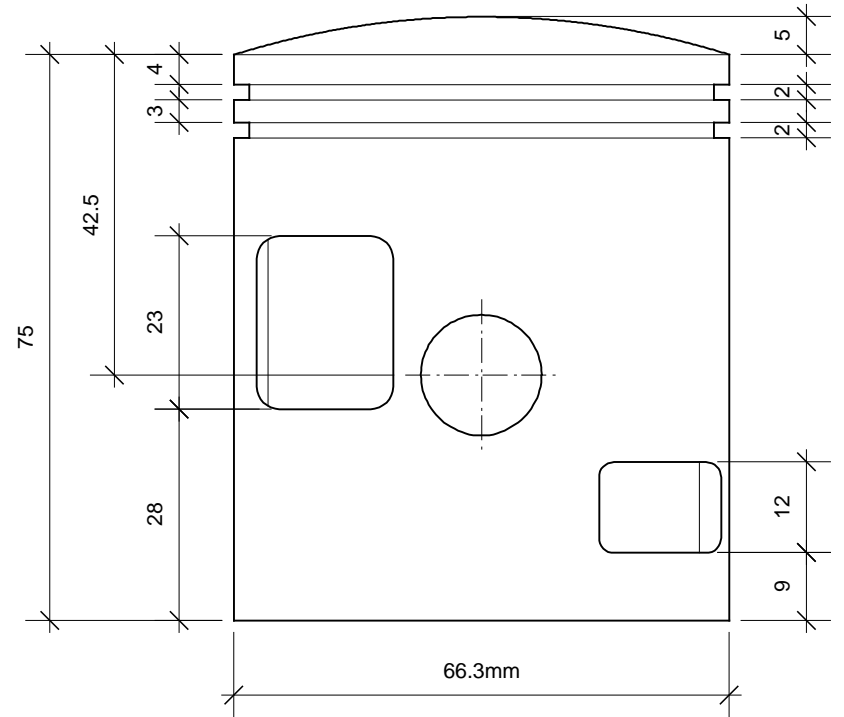


1. PLAN - SCALE 1mm = 1mm



2. ELEVATION - SCALE 1mm = 1mm

scooterhelp.com

VESPA P200E VSX1T piston

NOTE: While I have done my best to make this accurate, double check any critical dimension scooterhelp.com is not responsible for any damage the use of this information may cause.